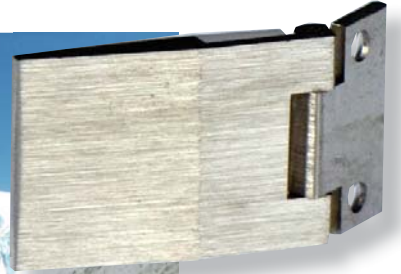


SISO GLASS

fittings



- high quality furniture fittings



The technical descriptions and dimensions in this catalogue, also those with the photographs and drawings, are not binding. We reserve the right to make design improvements.

We bear no liability for any misprints or other errors that might occur in the production of the catalogue.

SISO A/S tager forbehold for trykfejl samt ændringer i produktets specifikationer.

Für Druckfehler und Irrtümer ist jede Haftung ausgeschlossen. Produktänderungen behalten wir uns vor.



- high quality furniture fittings

SISIO A/S
MILEPARKEN 11
DK - 2740 SKOVLUNDE
(COPENHAGEN)
DENMARK
PHONE: (+45) 45 830 900
FAX: (+45) 45 830 444

DISTRIBUTOR

CONTENTS

- high quality furniture fittings

SISO
DENMARK

GLASS CONNECTORS

3-5



GLASS DOOR LOCK & ACCESSORIES

6-21



SHELF SUPPORTS FOR GLASS

22-26



CABLE SIGN SYSTEM

27-28



ADJUSTABLE SHELF SUPPORT „PELICANS“

29-30



GLASS CLAMPS

31-37



BALUSTER POSTS

38



MAGNETIC TOUCH LATCHES

39-40



STRIKING PLATES

41



GLASS DOOR HINGES - DRILLING

42-51



BUTT HINGES FOR UV-GLUE

51-53



GLASS PIVOT HINGE - NO DRILLING

54-56



GLASS DOOR HINGES - NO DRILLING

56-58



GLASS DOOR PULL F/SLIDING DOORS

59



GLASS DOOR HANDLE - NO DRILLING








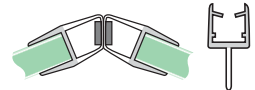




59



ACCESSORIES F/MIRRORS

60



SIGNBOARD SCREWS & HOLDERS	61-63	
ALUMINIUM SHELVES W/LED & ALU PROFILES	64	
SUCTION PADS & BUMPERS	64	
DISCS & LEGS F/GLASS TABLE TOPS	65	
SHELVING LEG SYSTEM „THE POST“	66	
SAUNA HINGES & ACCESSORIES FOR SAUNA DOORS	67-71	
SHOWER DOOR HINGES	72-87 & 91-92	
SHOWER CLAMPS	88-91	
SUPPORT BARS & ACCESSORIES	93-99	
SHOWER DOOR KNOBS & HANDLES	100-102	
DOOR HANDLES SS-304	103-105	
PVC SEALS FOR SHOWER DOORS	106-107	
ALUMINIUM U-CHANNELS	107	
SLIDING DOOR SYSTEM F/GLASS DOORS	108-113	
SISO SAN -TOILET ACCESSORIES	114	
TOILET CUBICLE FITTINGS	115-120	
FLOOR SPRINGS & PATCH FITTINGS	121-135	
LOCKS FOR GLASS DOORS	136-138	
SOFT CLOSE GLASS DOOR HINGES	139-141	

GLASS CONNECTORS - TYPE „MAXI“ ZAMAK - GLASS THICKNESS 4-6 MM

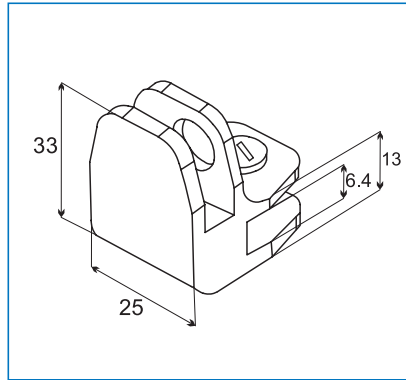
- high quality furniture fittings



GLASS CONNECTOR 2-WAY 90°

33 x 33 x 25 mm height

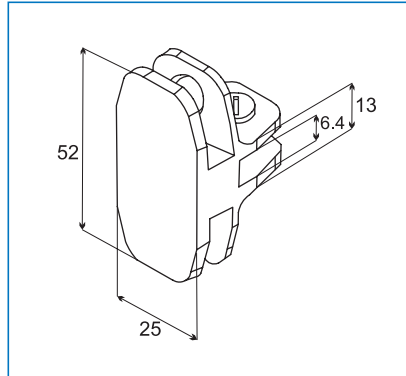
Chrome plated	# 22.10.100
Brass plated	# 22.10.101
Black anodized	# 22.10.102
Alu finish	# 22.10.103



GLASS CONNECTOR 3-WAY T-JOINT

52 x 33 x 25 mm height

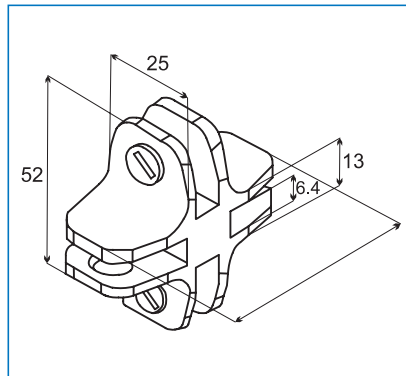
Chrome plated	# 22.10.110
Brass plated	# 22.10.111
Black anodized	# 22.10.112
Alu finish	# 22.10.113



GLASS CONNECTOR 4-WAY 90°

52 x 52 x 25 mm height

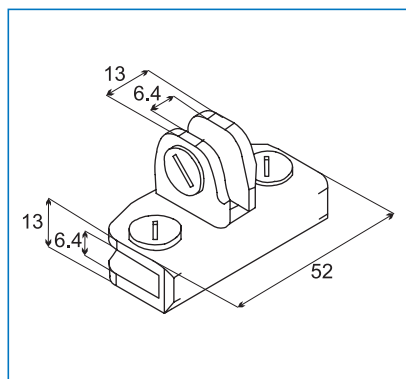
Chrome plated	# 22.10.120
Brass plated	# 22.10.121
Black anodized	# 22.10.122
Alu finish	# 22.10.123



GLASS CONNECTOR 3-WAY T-JOINT

Closed end - bottom/top connector

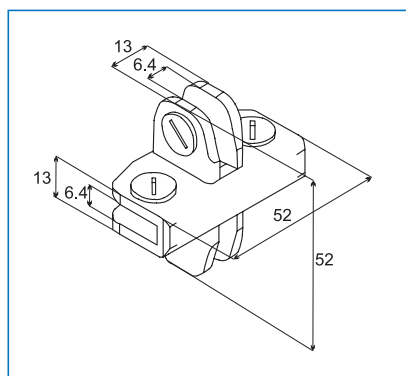
Chrome plated	# 22.10.130
Brass plated	# 22.10.131
Black anodized	# 22.10.132
Alu finish	# 22.10.133



GLASS CONNECTOR 4-WAY 90°

Closed end - bottom/top connector

Chrome plated	# 22.10.140
Brass plated	# 22.10.141
Black anodized	# 22.10.142
Alu finish	# 22.10.143



GLASS CONNECTOR HINGE

60 mm open width x 40 mm height.

Chrome plated # 22.10.010
 Brass plated # 22.10.011
 Black anodized # 22.10.012



GLASS CONNECTOR HINGE

60 mm open width x 22 mm height.

Chrome plated # 22.10.020
 Black anodized # 22.10.022



GLASS CONNECTOR
2-WAY - 90°

33 x 33 mm x 22 mm height

Chrome plated # 22.10.060
 Brass plated # 22.10.061
 Black anodized # 22.10.062



GLASS CONNECTOR
3-WAY - T-JOINT

52 x 34 mm x 22 mm height

Chrome plated # 22.10.040
 Brass plated # 22.10.041
 Black anodized # 22.10.042



GLASS CONNECTOR
4-WAY - 90°

52 x 52 mm x 22 mm height

Chrome plated # 22.10.050
 Brass plated # 22.10.051
 Black anodized # 22.10.052



GLASS CONNECTOR
4-WAY - 90°

52 x 52 mm x 22 mm height
 bottom mounted connector

Chrome plated # 22.10.055



GLASS/GLASS CONNECTOR #CLAW" 2-WAY

- high quality furniture fittings



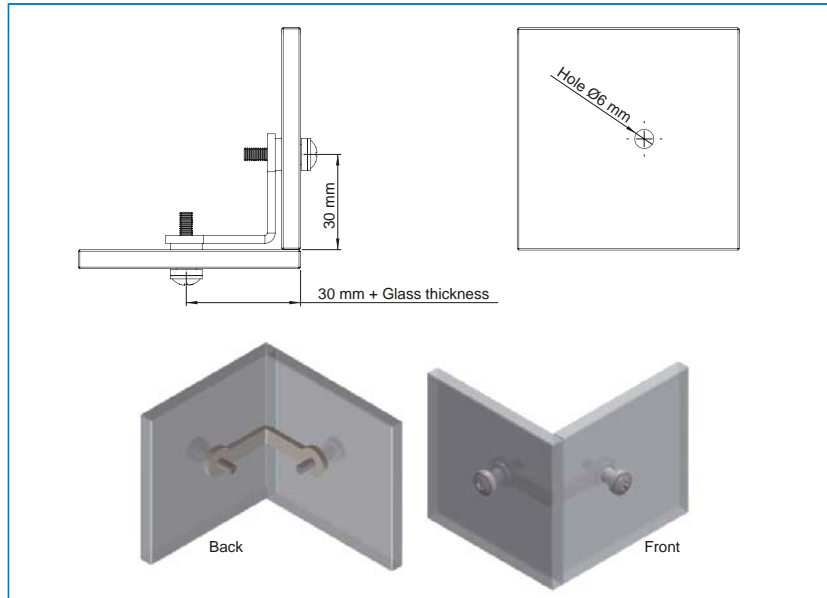
Application
Connecting glass plates
Drilling required

Material
2 mm steel, nickel plated

Size: 35 x 35 mm
Bore hole: \varnothing 6 mm
Bore distance: 30 mm from
centre to edge + glass thickness
Glass thickness: 4 - 8 mm

Item No.: # 22.10.090

Inclusive transparent tube & washers



GLASS/GLASS CONNECTOR #CLAW" 3-WAY

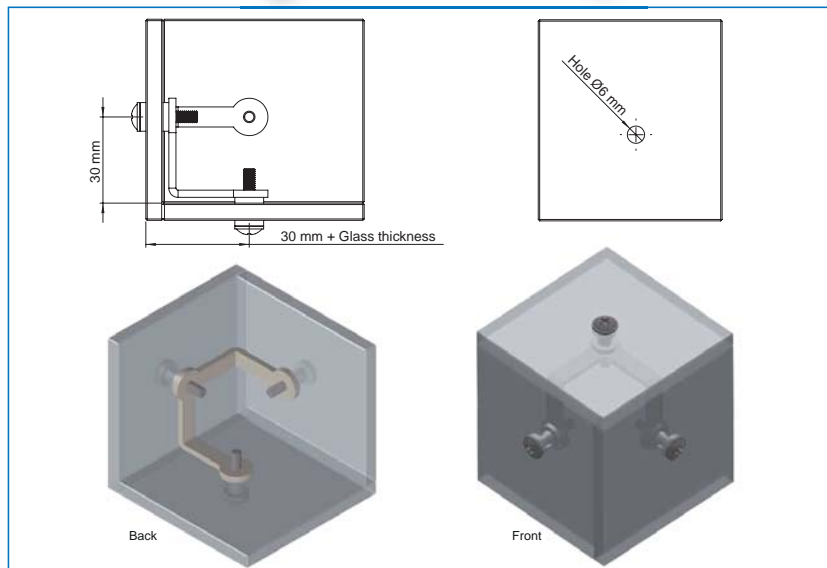
Application
Connecting glass plates
Drilling required

Material
2 mm steel, nickel plated

Size: 35 x 35 x 35 mm
Bore hole: \varnothing 6 mm
Bore distance: 30 mm from
centre to edge + glass thickness
Glass thickness: 4 - 8 mm

Item No.: # 22.10.091

Inclusive transparent tube & washers



GLASS DOOR LOCK „MINI“ SLIDING DOORS

MODEL „MINI“

Finish
Chrome plated

Application
Glass sliding door

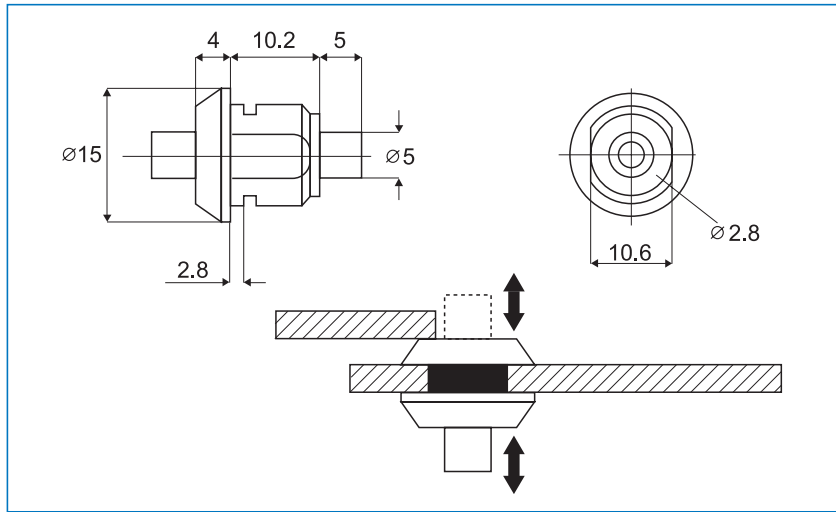
Accessories for 1 set
1 lock
2 car keys
1 nut

Function
to lock - push the cylinder
to unlock - turn key

200 key combinations # 14.03.040
key alike # 14.03.041

Options
15 000 key combinations

Packing
100 pcs per box
5 box per export carton



BRASS GLASS DOOR LOCK „SWAN“ FOR 8-10 MM GLASS

MODEL „SWAN“

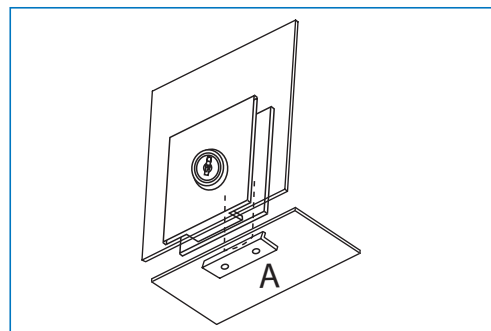
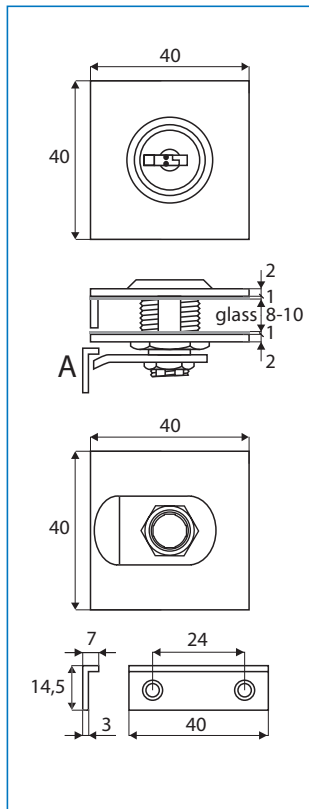
Finish
Gold plated # 14.09.000
Chrome plated # 14.09.001

Material
Brass

Consists of:
1 cylinder $\varnothing 20 \times 23$ mm
1 front plate w/bottom support
40 x 40 mm
1 back plate 40 x 40 mm
2 SISO metal keys, key alike
2 transparent cushions
1 hexagonal nut
1 off-set brass cam
1 raised brass striker

Function
Turn key 180° to lock or unlock

Packing
100 pcs per export carton



GLASS DOOR LOCK „AUDIO“ - NO DRILLING

- high quality furniture fittings



MODEL „AUDIO“

Finish

Plastic black # 14.09.256

Application

Hinged glass doors
particularly for audio/hi-fi cabinets
No boring required

Accessories for one set

1 lock
1 washer
2 screws
2 keys

Function

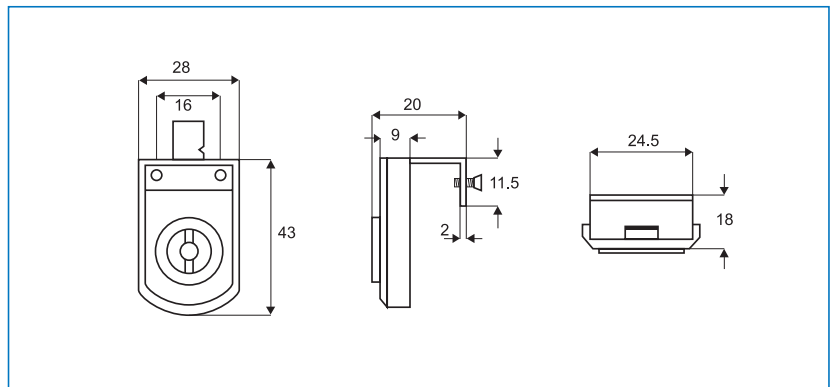
Turn key 180°
to lock or unlock

Specification

Plastic/metal combination
one key change only

Packing

500 pcs per export carton



GLASS DOOR LOCK #409 SLIDING DOORS

MODEL # 409

Finish

Brass, chrome plated

Application

Glass sliding doors

Accessories for one set

1 plug - in cylinder
1 housing (2 parts)
2 rubber washers
2 screws
2 keys

Function

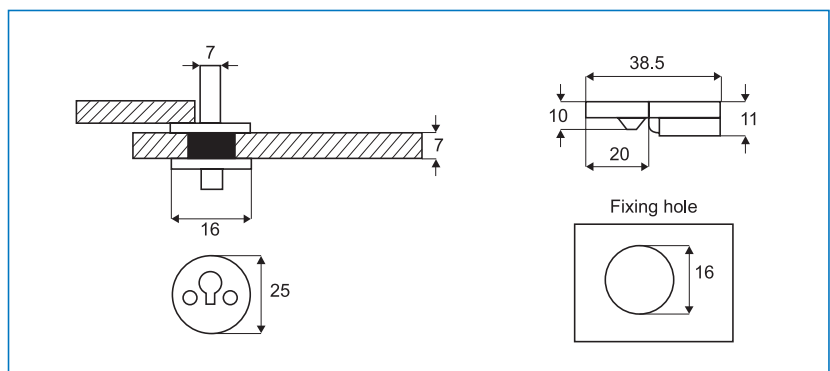
Place cylinder into lock case,
turn and remove key,
key removable in locked
position only

Specification

Brass lock
25 key combinations # 14.09.300
or key alike # 14.09.315

Packing

500 pcs per export carton
25 pcs per box



GLASS DOOR LOCK VITRIO „M“ - HINGED DOORS

MODEL „VITRIO“

Finish

Chrome plated	# 14.09.350
Alu finish	# 14.09.352
Gold plated	# 14.09.353
Black anodized	# 14.09.351
Brass plated	# 14.09.360

Application

Double hinged glass doors
Accessories for one set

A) left door

- 1 decorative cylinder
- 1 stainless steel front plate
- 1 hexagonal nut
- 1 plastic washer

B) right door

- 1 off-set hook cam
- 1 stainless steel front plate
- 1 hexagonal nut
- 1 plastic washer
- 2 car keys

Function

Turn key 90° to lock
or unlock

Specification

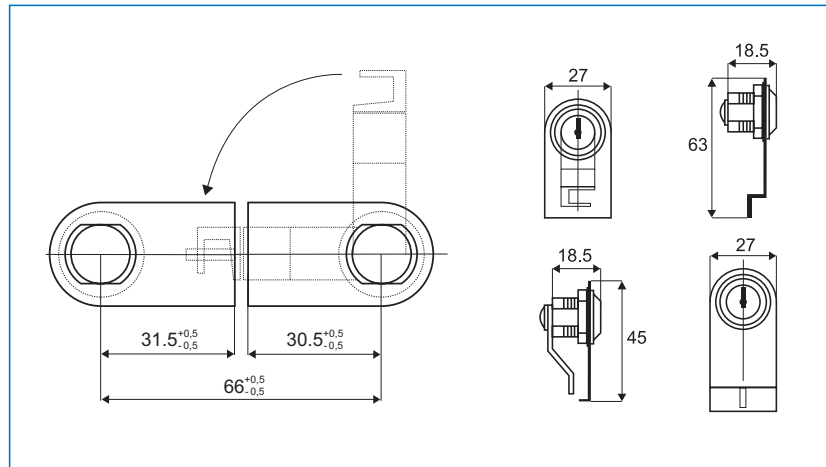
Cylinder zamak
front plates stainless steel
400 key combinations or key alike

Option

Master key system

Packing

300 pcs per export carton
25 pcs per box



GLASS DOOR LOCK # X-750 - NO DRILLING

MODEL X-750

Finish

Chrome plated - 100 mm	# 14.09.025
Chrome plated - 132 mm	# 14.09.030
Chrome plated - 135 mm	# 14.09.029

Application

Glass sliding doors

Accessories for one set

- 1 removable lock
- 1 ratchet 100 or 132 mm
- 1 screw w/protection pad
- 2 metal keys

Function

Mount ratchet into lock with flat end facing the fastening screw (see illustration).

Turn key 180° and remove key to activate the lock

Specification

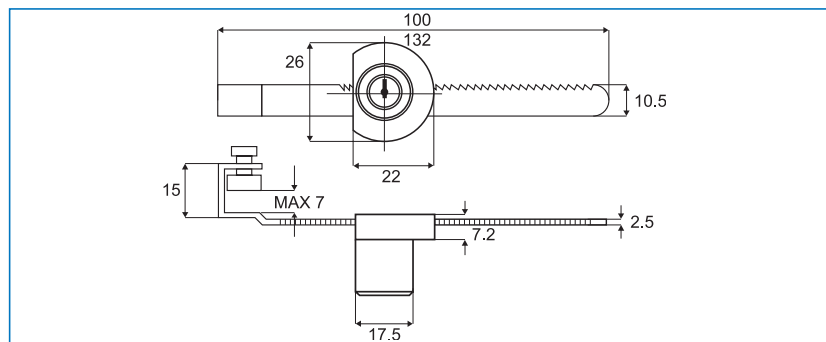
Zamak lock
Ratchet steel
25 key combinations

Option

Master key or key alike

Packing

240 pcs per export carton
12 pcs per box

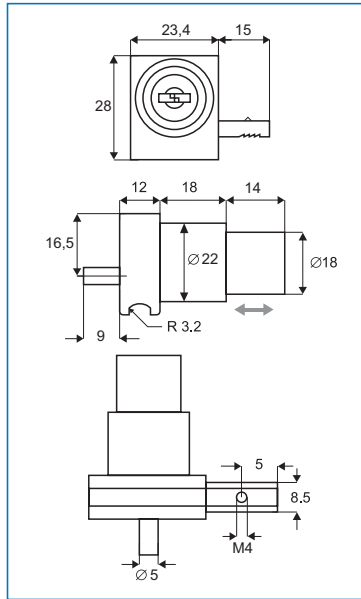


PUSH BUTTON LOCK #8600 „M“ F/DOUBLE SLIDING GLASS DOORS

- high quality furniture fittings

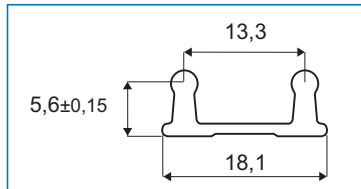


MODEL # 8600
Finish
 Chrome plated # 14.09.420
 Alu finish # 14.09.423
 Chrome w/Master key # 14.09.422
Application
 Double sliding glass doors
 on alu rails
Accessories
 1 lock cylinder 22 mm
 1 grub screw for fastening
 2 metal keys, double entry
Function
 Push cylinder to lock
 Turn key to unlock
Specification
 Zamak house: 28 x 24 x 12 mm
 400 key combinations or key alike
Option:
 Master key
Packing:
 250 pcs per export carton
 25 pcs per box

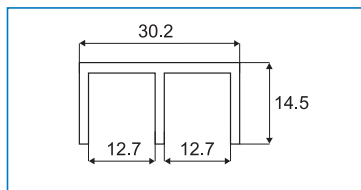


ACCESSORIES

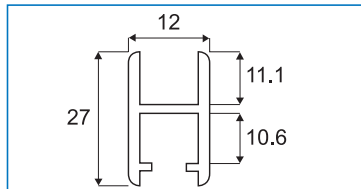
BOTTOM TRACK
 Aluminium:
 Anodized # 22.26.030
 Standard length: 2 metres



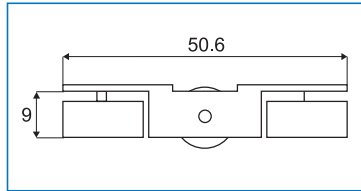
TOP E-TRACK
 Aluminium:
 Anodized # 22.26.010
 Standard length: 2 metres



GLASS H-RAIL
 Aluminium:
 Anodized # 22.26.020
 Standard length: 2 metres
 For 5 - 6 mm glass thickness



TROLLEY w/Nylon Wheels
 Nickel plated # 22.26.040
 Load capacity: 3 kg



U-SPLINE PVC # 22.26.060
 Rolls of 100 mts



SILENCER # 22.26.070
 Plastic, clear
 Bags of 100 pcs



END CAP ZAMAK
 Chrome plated # 22.26.050
 Alu finish # 22.26.049



PUSH BUTTON LOCK #2010 „M“ F/DOUBLE SLIDING GLASS DOORS

MODEL #2010

Finish

Alu finish	# 14.09.460
Chrome plated	# 14.09.461
Gold mat plated	# 14.09.463
Gold bright plated	# 14.09.462

Application

Double sliding glass doors
premounted on aluminium frame

Accessories for one set

- 1 cylinder push lock $\varnothing 22$ mm
- 1 universal bottom part
premounted for insertion
into H-rail on left or right side
- 2 grub screws for fastening onto the h-rail
- 5 allen keys for every
20 lock sets for tightening the grub
screws
- 2 car keys, double entry

Function

Push cylinder to lock
and turn key to unlock

Specification

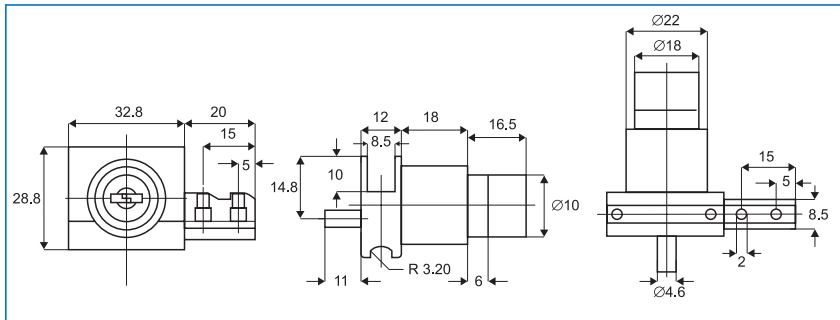
Zamak with 400 key combinations
or key alike

Option

Master key system

Packing

200 pcs per export carton
20 pcs per box



ACCESSORIES

U-SPLINE PVC
22.26.060
Rolls of 100 mts

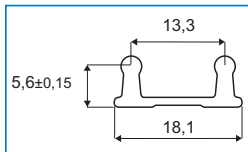
SILENCER
22.26.070
Plastic, clear
Bags of 100 pcs

END CAP ZAMAK
Chrome plated # 22.26.051
Alu finish # 22.26.052



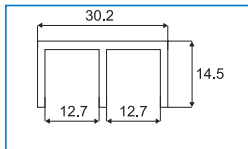
BOTTOM TRACK

Aluminium:
Anodized # 22.26.030
Standard length: 2 metres



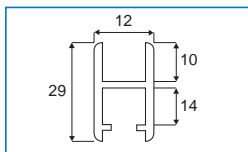
TOP E-TRACK

Aluminium:
Anodized # 22.26.010
Standard length: 2 metres

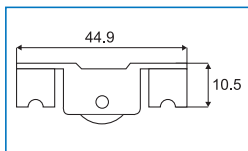


GLASS H-RAIL

Aluminium:
Anodized # 22.26.021
Standard length: 2 metres
For 5 - 6 mm glass thickness



TROLLEY w/Nylon Wheels
Nickel plated # 22.26.041
Load capacity: 3 kg



MOUNTING INSTRUCTION

F/LOCK #8600 & #2010

- high quality furniture fittings

System # 8600

A

TOP E-Track #22.26.010

B

SILENCER #22.26.070
inside TOP E-Track

C

END CAP ZAMAK #22.26.050

D

U-SPLINE PLASTIC #22.26.060

E

TROLLEY #22.26.040

F

BOTTOM TRACK #22.26.030

G

GLASS H-RAIL #22.26.020

How to prepare glass doors size?

$$L_1 = W$$

$$L_2 = \frac{1}{2}L_1 + 30 \text{ mm}$$

$$L_3 = \frac{1}{2}L_1$$

$$H_G = H - 25 \text{ mm}$$

$$L_{G2} = L_3 - 2 \text{ mm}$$

$$L_{G3} = L_2 - 1 \text{ mm}$$

System # 2010

A

TOP E-Track #22.26.010

B

SILENCER #22.26.070
inside TOP E-Track

C

END CAP ZAMAK #22.26.051

D

U-SPLINE PLASTIC #22.26.060

E

TROLLEY #22.26.041

F

BOTTOM TRACK #22.26.030

G

GLASS H-RAIL #22.26.021

How to prepare glass doors size?

$$L_1 = W$$

$$L_2 = \frac{1}{2}L_1$$

$$L_3 = \frac{1}{2}L_1$$

$$H_G = H - 30 \text{ mm}$$

$$L_{G2} = L_3 - 2 \text{ mm}$$

$$L_{G3} = L_2 + 32 \text{ mm}$$

PUSH BUTTON LOCK #2740 „M“ W/STRIKER

Application

Double sliding glass doors
Premounted on aluminium frame

Function

Push & turn cylinder with key to lock
& turn key to unlock.
Can be installed into H-rail
on left or right side

Specification

Zamak with 400 key combinations,
key alike or/and master key system

1 set consists of

- 1 cylinder push lock \varnothing 22 mm
with hook pin
- 1 striker
- 2 round SISO metal keys, double
entry
- 1 hex key 2 mm
- 2 grub screws for fastening
onto the H-rail

Lock #2740 w/striker

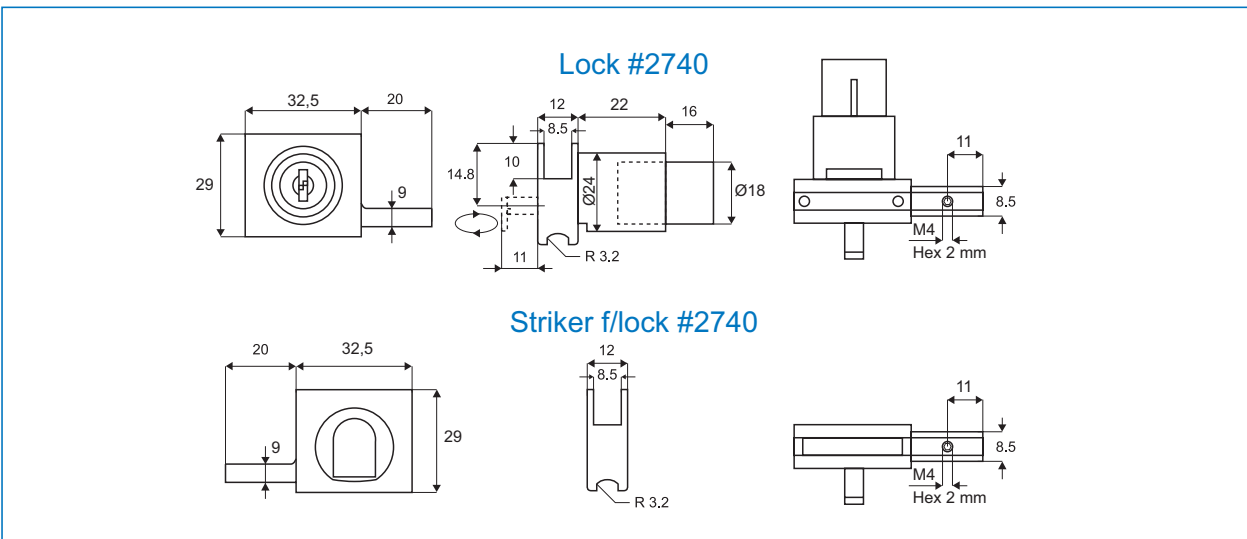
- Alu finish - key to differ # 14.09.440
- Alu finish - key alike # 14.09.441
- Alu finish - w/master key # 14.09.442

Packing

- 150 pcs per export carton
- 15 pcs per box



Not for sale in Germany

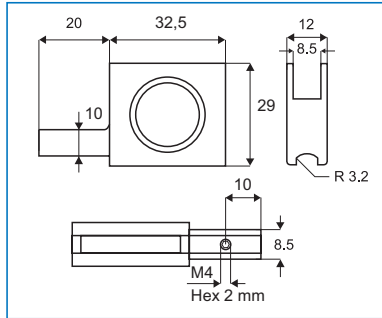


ACCESSORIES F/LOCK #2740 „M“

- high quality furniture fittings

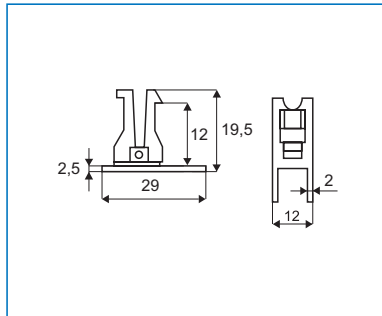
Glass door handle - Plastic

Alu finish # 14.09.445
F/fixing on H-rail w/grub screw



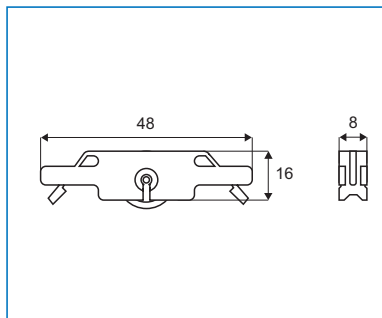
End cap - Plastic

Alu finish # 22.26.053
F/pressing into H-rail



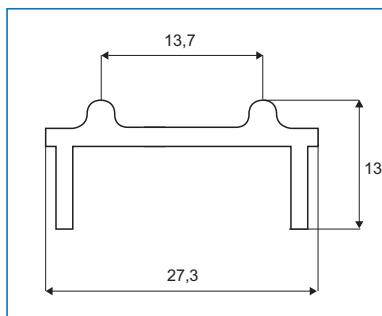
Trolley - w/ball bearing

Zinc plated # 22.26.042
F/fixing on H-rail be use of tool # 22.26.08
Load capacity: 12 kg pr. trolley



Bottom frame track

Aluminium # 22.26.032
Anodized
2 metres length

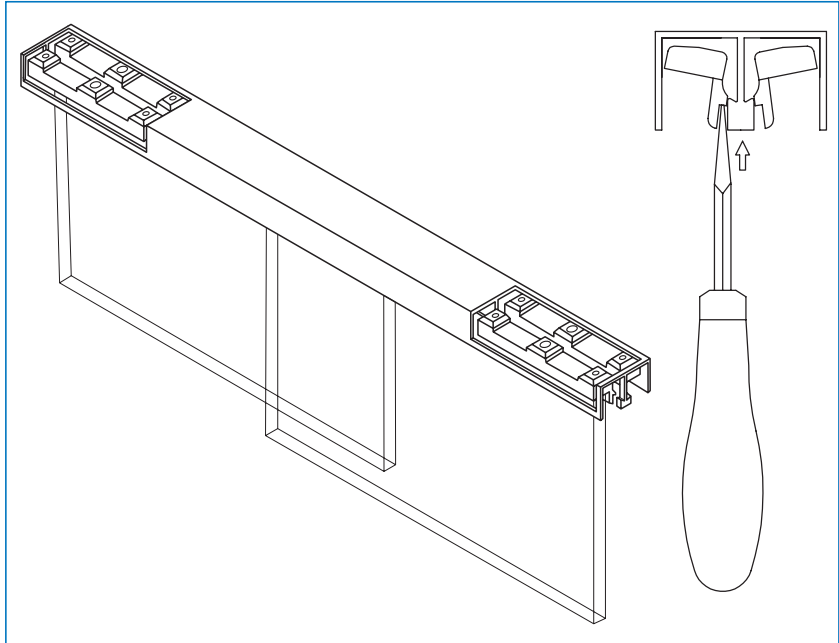


Tool for fixing trolley

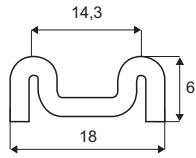
Blue # 22.26.080



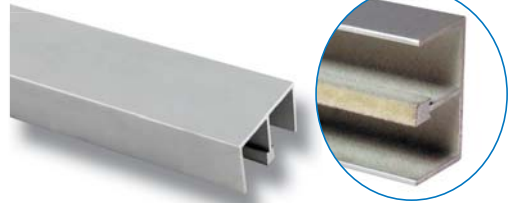
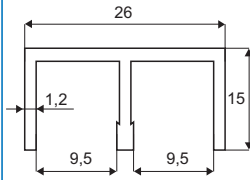
Anti-lift stopper - Plastic
 Transparent # 22.26.075
 F/pressing into top E-track to prevent
 lifting of glass



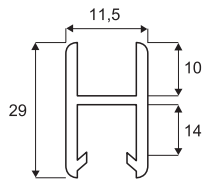
Bottom Track
 Aluminium # 22.26.031
 Anodized
 2 metres length



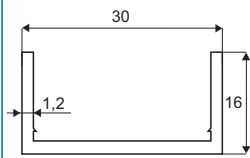
Top E-track with felt
 Aluminium # 22.26.011
 Anodized
 2 metres length



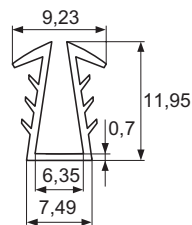
Glass H-rail f/ 5 - 6 mm glass
 Aluminium # 22.26.023
 Anodized
 2 metres length



Side & bottom frame track
 Aluminium # 22.26.025
 Anodized
 2 metres length



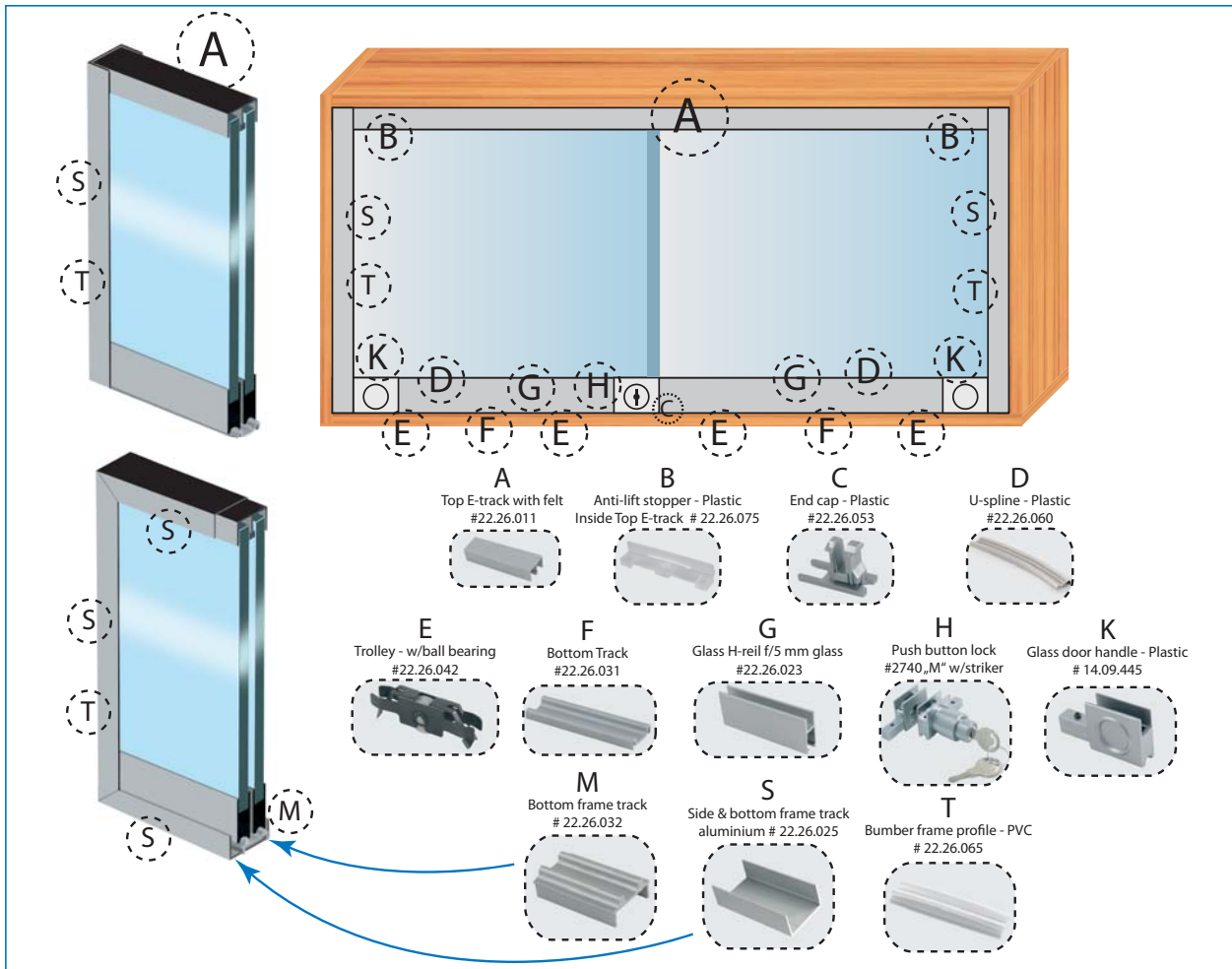
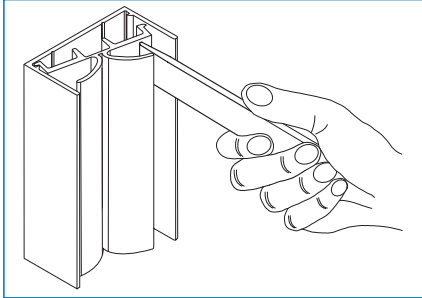
U-SPLINE PVC
 Grey color #22.26.060
 Rolls of 100 meters



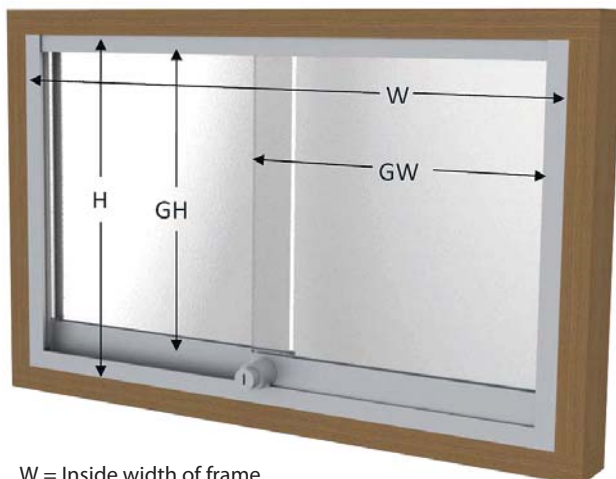
ACCESSORIES F/LOCK #2740 „M“

- high quality furniture fittings

Bumper frame profile - PVC
Transparent # 22.26.065
2 metres length



#2740 Model



W = Inside width of frame.
GW = Glass width.
H = Inside height of frame.
GH = Glass height.

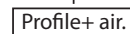
With frame and high bottom rail (like on picture):

$$GW = ((W - 2,50 \text{ mm}) + 30 \text{ mm}) \times 0,5$$



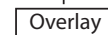
With bumpers at the sides deduct 10 mm from the GW result.

$$GH = H - 40 \text{ mm}$$



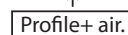
Without frame and with low bottom rail:

$$GW = (W + 30 \text{ mm}) \times 0,5$$



With bumpers at the sides deduct 10 mm from the GW result.

$$GH = H - 25 \text{ mm}$$



GLASS DOOR LOCK X-907 „M“ SLIDING DOORS

MODEL X-907

Finish
 Chrome plated # 14.09.417
 Mat nickel plated # 14.09.416
 Gold plated # 14.09.418
 Black anodized # 14.09.419

Application
 Glass sliding doors

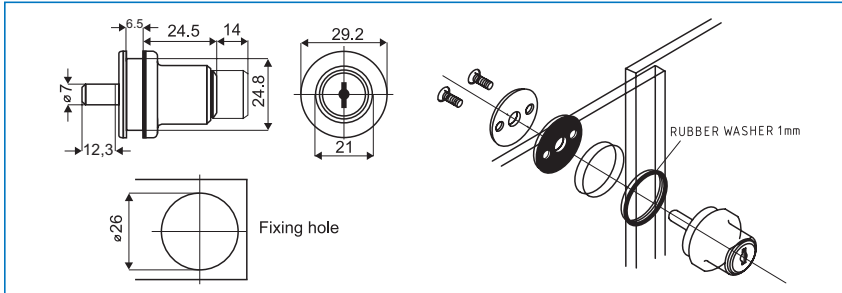
Accessories
 1 lock
 2 car keys, double entry
 2 transparent washers

Function
 Push and turn key
 90° to lock or unlock

Specification
 Zamak
 400 key combinations or key alike

Options
 Master key system

Packing
 200 pcs per box



GLASS DOOR LOCK #910 „MIC“ SINGLE DOOR, HINGED

MODEL #910

Finish
 Chrome plated # 14.09.108

Application
 Glass hinged doors 4-6 mm
 Bore Ø 25 mm

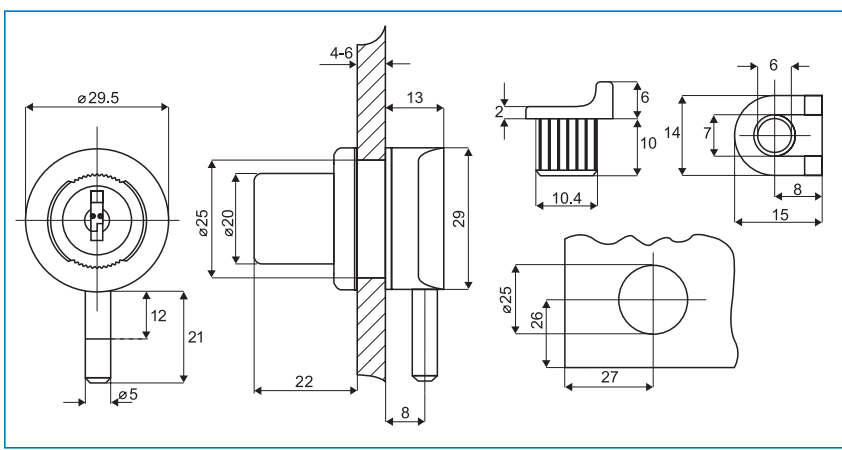
Accessories for one set
 1 cylinder lock
 5 washer (plastic & rubber)
 1 zamak stopper
 2 metal keys, double entry

Function
 Turn key 180° to lock or unlock
 - w/click sound

Specification
 Zamak
 400 key combinations or key alike

Options
 Master key and interchangeable system

Packing
 240 pcs per export carton



GLASS DOOR LOCK #689 „MIC“ SINGLE DOOR, HINGED

- high quality furniture fittings



MODEL #689

Finish

Chrome plated	# 14.09.130
Mat nickel plated	# 14.09.131
Gold plated	# 14.09.129
Alu finish	# 14.09.132
Black anodized	# 14.09.136

Application

Glass hinged doors 4-6 mm
Bore: Ø 26 mm

Accessories for one set

- 1 cylinder lock
- 5 plastic washer
- 1 zamak stopper
- 2 car keys, double entry

Function

Turn key 180° to lock
or unlock - w/click sound

Specification

Zamak
400 key combinations or key alike

Option

Master key
and interchangeable system

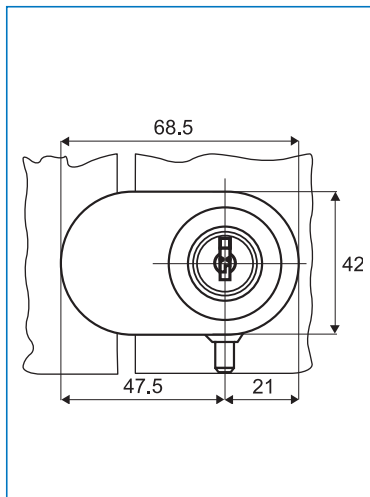
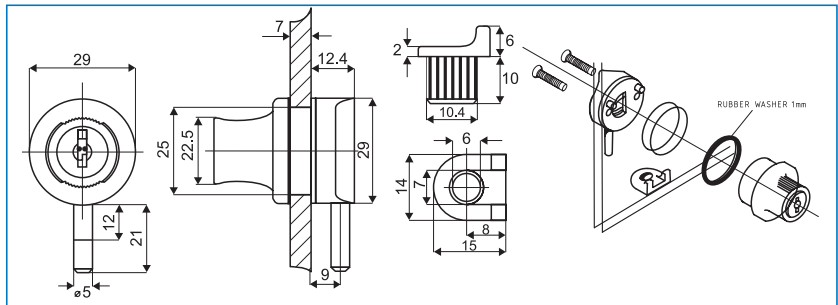
Packing

20/200 pcs per box

Option

Lock can be supplied with special designed plate for double hinged door

Chrome plated	# 14.09.170
Mat nickel plated	# 14.09.171
Alu finish	# 14.09.172
Gold plated	# 14.09.173

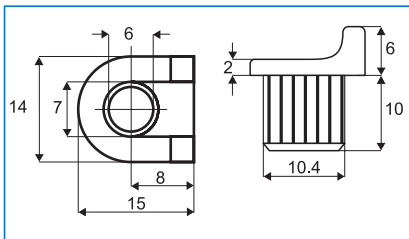


DOOR STOPPER

DOOR STOPPER w/hole

Finish: black plastic # 14.09.118

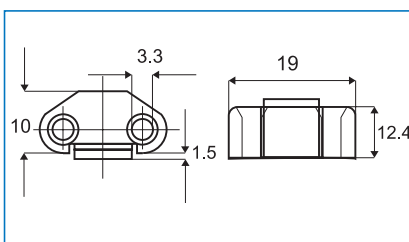
Application: inset glass door hinged
Recommended to use with locks
X-689 and 910 (as a stopper and
striking plate)



DOOR STOPPER w/bumper

Finish: black plastic # 14.09.105

Application: glass door hinged
Recommended to use with lock 0914



GLASS DOOR LOCK X-916 „M“ DOUBLE OR SINGLE DOORS, HINGED

MODEL X-916

Finish

Black anodized # 14.09.047
 Chrome plated # 14.09.048
 Gold plated # 14.09.049

Application

Hinged glass doors 4-6 mm
 Bore Ø 19 mm

Accessories for one set

1 cam lock
 1 straight steel cam
 1 plastic washer + 1 hex nut
 1 flat striking plate: 11 x 57 mm
 2 car keys, double entry
 1 front plate zamak

Function

Turn key 180° to lock
 or unlock - w/click action

Specification

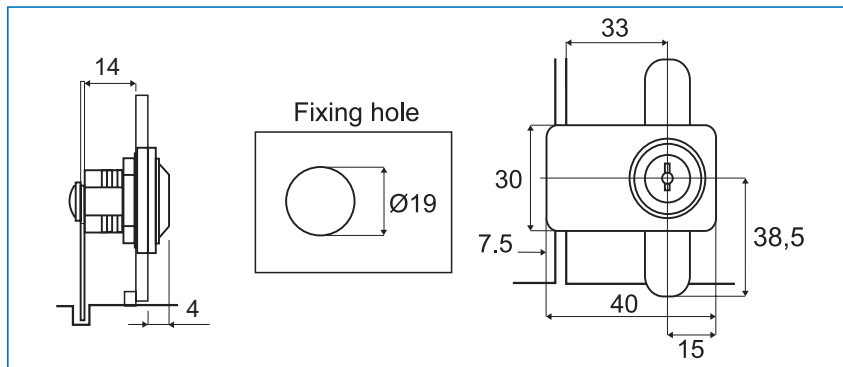
Plate & house: zamak
 400 key combinations or key alike

Option

Master key system

Packing

12 pcs per box
 240 pcs per export carton



GLASS DOOR LOCK „SAFE“ „M“ SINGLE DOOR, HINGED

MODEL „SAFE“

Finish

Chrome plated # 14.09.320

Application

Single glass door, hinged
 Bore Ø 19 mm

Accessories for one set

1 cam lock
 1 hexagonal nut
 1 plastic washer
 1 straight cam
 1 front plate
 1 flat striking plate
 2 car keys, double entry

Function

Turn key 90°
 to lock or unlock - w/click sound

Specification

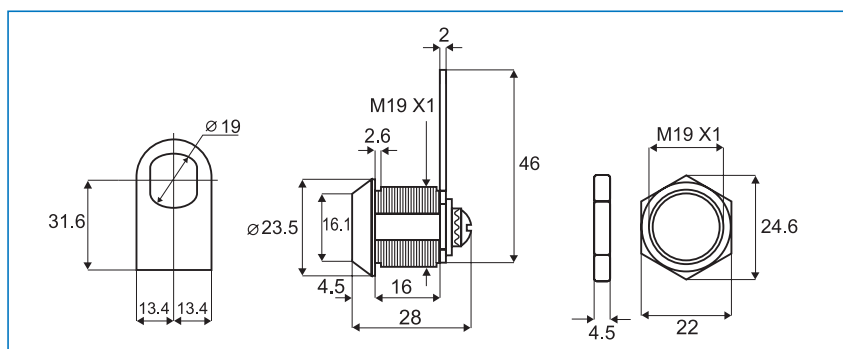
Zamak
 400 key combinations or key alike

Option

Master key system

Packing

12 pcs per box
 240 pcs per export



GLASS DOOR LOCK „VETRO“ „MIC“ SINGLE DOOR, HINGED

- high quality furniture fittings



MODEL „VETRO“

Finish

Chrome plated # 14.09.261
Gold plated # 14.09.260
Black anodized # 14.09.262

Application

Single glass door, hinged
No boring required

Glass thickness: 4 - 6 mm

Accessories for one set

1 lock w/front plate:
2 fastening screws
1 flat striking plate
2 car keys double entry
1 plastic distance plate

Function

Turn key 180° to lock
and reverse to unlock

Specification

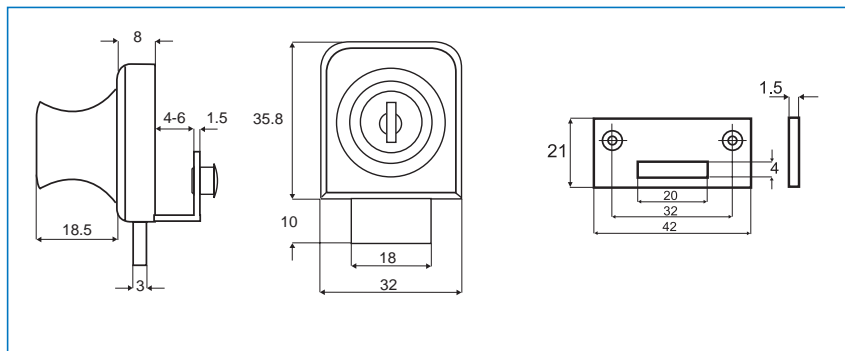
Zamak
400 key combinations
or key alike

Option

Master key
and interchangeable system

Packing

24 pcs per box
240 pcs per export carton



GLASS DOOR LOCK „VETRO-DOUBLE“ „MIC“ DOUBLE DOORS, HINGED

MODEL „VETRO-DOUBLE“

Finish

Chrome plated # 14.09.270
Gold plated # 14.09.271
Black anodized # 14.09.272

Application

Double glass doors, hinged
No boring required

Glass thickness: 4 - 6 mm

Accessories for one set

1 lock w/front plate
2 fastening screws
1 flat striking plate
2 car keys double entry
1 plastic distance plate

Optionals

Door stopper # 14.09.118
Spring stopper # 14.09.119

Function

Turn key 180°
to lock and reverse to unlock

Specification

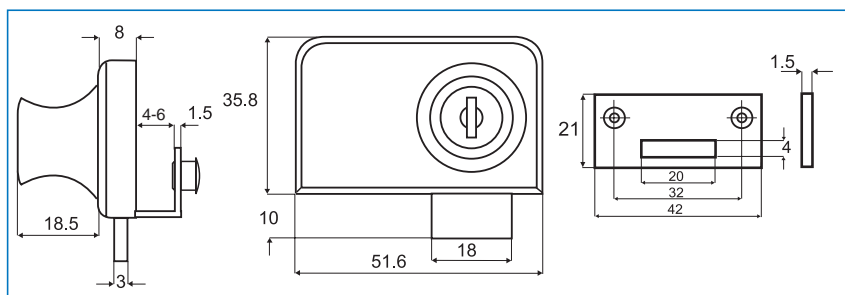
Zamak, 400 key combinations
or key alike

Option

Master key
and interchangeable system

Packing

24 pcs per box
240 pcs per export carton



GLASS DOOR LOCK #64081 „MIC“ SINGLE DOOR, HINGED

MODEL #64081

Finish
 Chrome plated # 14.09.210
 Gold plated # 14.09.211
 Black anodized # 14.09.212

Application
 Single glass door, hinged
 No boring required

Glass thickness: 4 - 6 mm

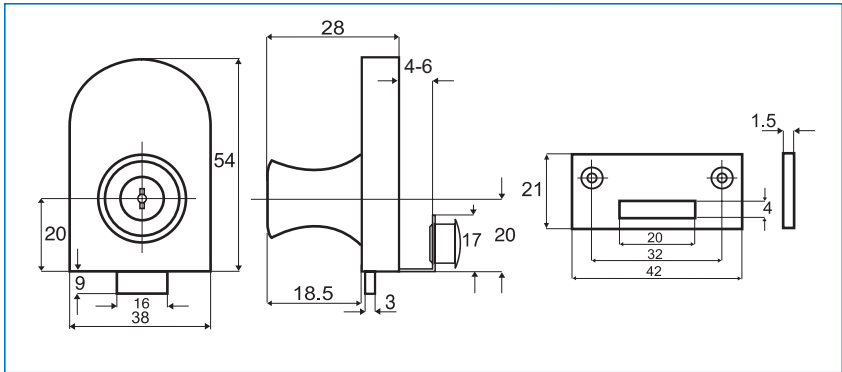
Accessories for one set
 1 lock w/front plate
 2 fastening screws
 1 flat striking plate
 2 car keys double entry
 1 plastic distance plate

Function
 Turn key 180° to lock
 and reverse to unlock

Specification
 Zamak
 400 key combinations
 or key alike

Option
 Master key
 and interchangeable system

Packing
 20 pcs per box
 200 pcs per export carton



GLASS DOOR LOCK #917 „MIC“ NO BORE - DOUBLE DOORS, HINGED

MODEL #917

Finish
 Chrome plated # 14.09.220
 Alu finish # 14.09.223

Application
 Double glass doors, hinged
 No boring required

Glass thickness: 4 - 6 mm

Accessories for one set
 1 lock w/large front plate
 2 fastening screws
 1 flat striking plate
 2 car keys double entry
 1 plastic distance plate

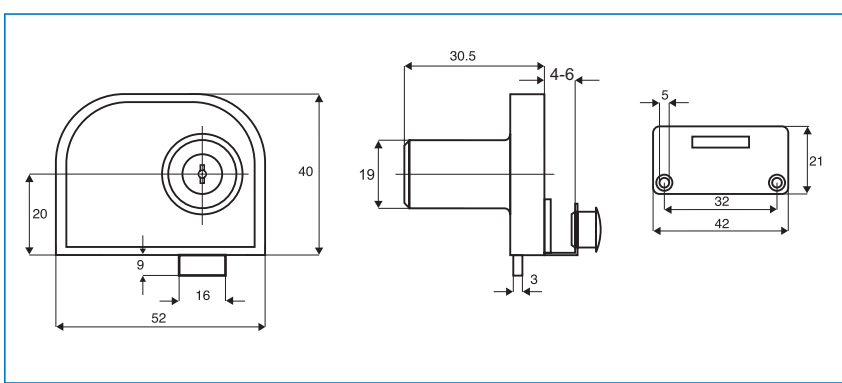
Optionals
 Door stopper # 14.09.118
 Spring stopper # 14.09.119

Function
 Turn key 180° to lock
 and reverse to unlock

Specification
 Zamak
 400 key combinations or key alike

Option
 Master key
 and interchangeable system

Packing
 12 pcs per box
 240 pcs per export box carton



GLASS DOOR LOCK #918 „MIC“ NO BORE - SINGLE DOOR, HINGED

- high quality furniture fittings



MODEL No. 918

FINISH

Chrome plated # 14.09.217
Gold plated # 14.09.218
Alu finish # 14.09.217-1

Application

Single glass doors, hinged
No boring required

Glass thickness: 4 - 6 mm

Accessories for one set

1 lock w/front plate
2 fastening screws
1 flat striking plate
2 car keys double entry
1 plastic distance plate

Optionals

Door stopper # 14.09.118
Spring stopper # 14.09.119

Function

Turn key 180°
to lock and reverse to unlock

Specification

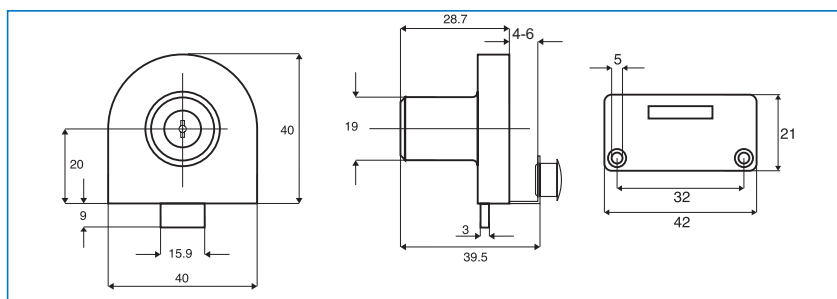
Zamak
400 key combinations or key alike

Option

Master key
and interchangeable system

Packing

12 pcs per box
240 pcs per export carton



STRIKER (FOR LOCK X-918) FOR DOUBLE HINGED DOORS

MODEL „STRIKER“

Finish

Chrome plated # 14.09.246
Alu finish # 14.09.247
Gold plated # 14.09.248

Application

Single glass door, hinged
No boring required

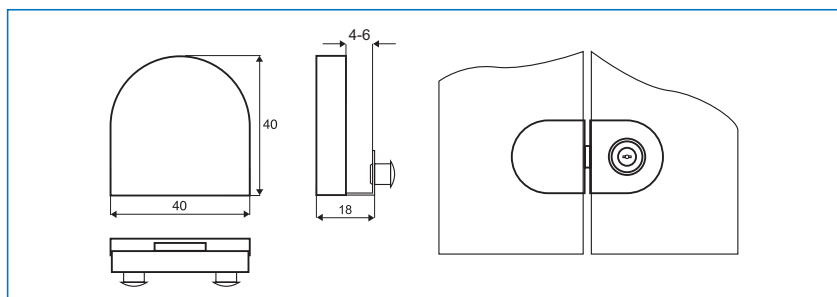
Glass thickness: 4 - 6 mm

Accessories for one set

1 lock w/front plate
2 fastening screws
1 flat striking plate
1 plastic distance plate

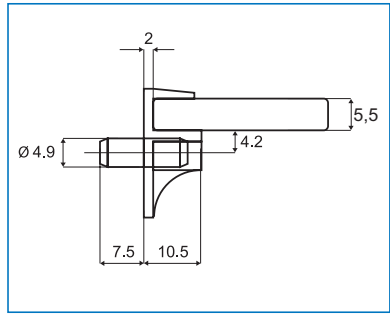
Packing

24 pcs per box
240 pcs per export carton

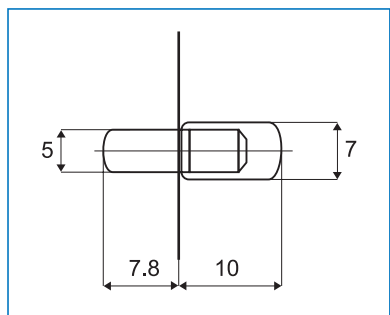


SHELF SUPPORTS FOR GLASS

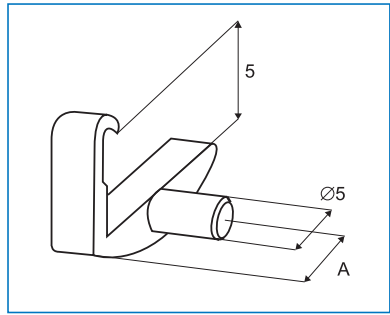
GLASS SHELF SUPPORT
 - with retainer
 Material: Steel pin Ø 5 mm, bright zinc plated
 and transparent plastic support
 with retainer
 Suitable for GLASS THICKNESS
 5,5 mm # 22.02.080



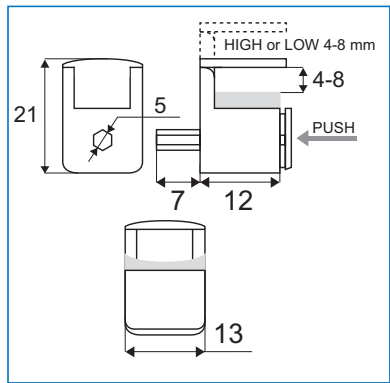
GLASS SHELF SUPPORT „CRISTAL“
 Material: Steel pin Ø 5 mm,
 mantled with transparent plastic
 to 7 mm diam.
 Bright zinc plated # 22.02.037
 Brass plated # 22.02.038



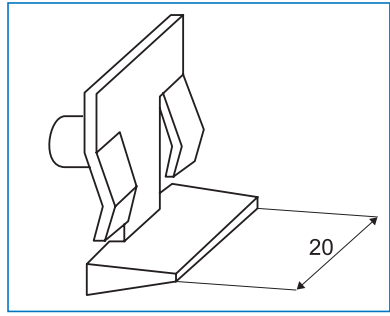
GLASS SHELF SUPPORT
 with slide lock No. 1630
 - moulded in sets (left + right)
 Material: transparent plastic # 22.02.082
 Pin: Ø 5 mm
 Bore hole: 9,5 mm from edge
 Glass: 5 mm
 Packing: 3500 pcs



GLASS SHELF SUPPORT „PARROT“
 w/clip fixing to secure the glass
 Material: Zamak, Nickel plated
 Pin: Ø 5 mm
 Glass thickness: 4 - 8 mm
 Item No. # 22.02.456
 Packing: 1000 pcs per export carton



SHELF SUPPORT - w/ flexible Retainer
 for GLASS SHELVES (min. 5mm)
 Material: Plastic
 PIN: 5 mm
 Colours
 White # 22.02.066
 Black # 22.02.067
 Brown
 Transparent
 For glass minimum 5mm

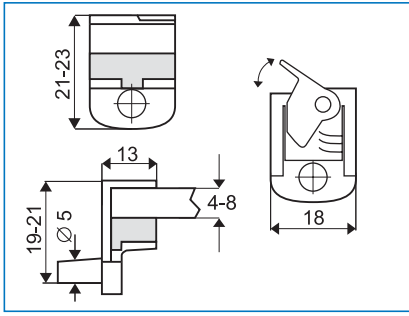


SHELF SUPPORTS FOR GLASS

- high quality furniture fittings

SHELF SUPPORT „ALFA“ - w/ catch for glass 4-8 mm
 with eccentric Pin Ø 5 mm
 Zamak
 Nickel plated # 22.02.245

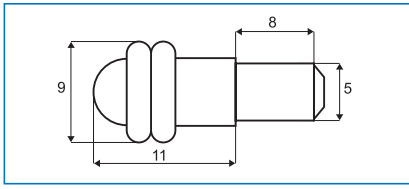
Options
 Without pin but with hole Ø 5 mm for screw



SHELF SUPPORT w/2 rubber O-rings

Material
 Steel, NPL # 22.02.200

Packing
 5000 pcs

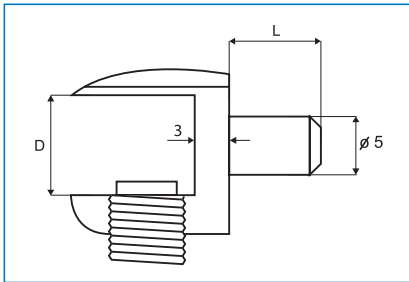


SHELF SUPPORT w/soft plastic screw

Material
 Zamak, nickel plated

Sizes: D Ø L
 8 mm 5 mm 8 mm # 22.02.231
 5 mm 5 mm 8 mm # 22.02.230

Packing
 1000 pcs

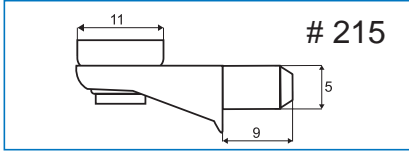
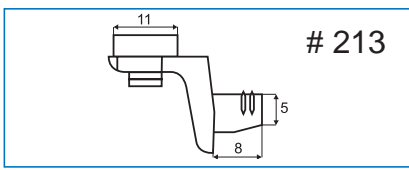


SHELF SUPPORT W/SUCTION PAD

Material
 Zamak, nickel plated

NO.213 # 22.02.240
NO.215 # 22.02.241

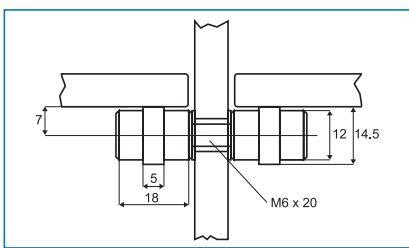
Packing
 2500 pcs



SHELF SUPPORT - "Double" - Brass - w/2 black rubber rings

Material: Brass, nickel plated
Size: 2 pcs each ø12 x 18 mm
Bore: ø8 mm
Glass thickness: 6 - 8 mm

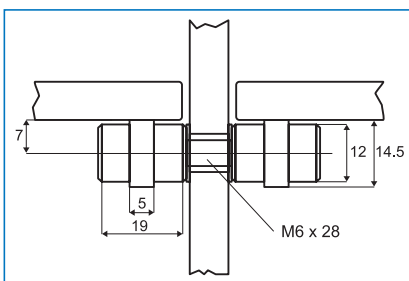
Item No.: # 22.02.116



SHELF SUPPORT - "Double" - Steel - w/2 transparent rings

Material: Steel, chrome plated
Size: 2 pcs each ø12 x 19 mm
Bore: ø 8mm
Glass thickness: 4 - 8 mm

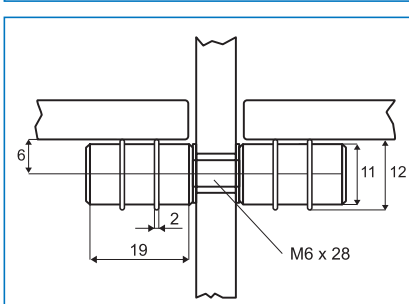
Item No.: # 22.02.111



SHELF SUPPORT - "Double" - Steel - w/4 transparent rings

Material: Steel, chrome plated
Size: 2 pcs each ø11 x 19 mm
Bore: ø 8 mm
Glass thickness: 4 - 8 mm

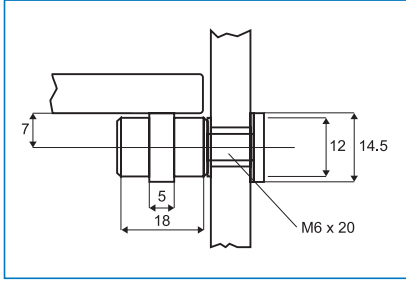
Item No.: # 22.02.110



SHELF SUPPORT - "Single" - Brass - w/1 black rubber ring

Material: Brass, nickel plated
Size: $\varnothing 12 \times 18$ mm
Bore: $\varnothing 8$ mm
Glass thickness: 6 - 8 mm

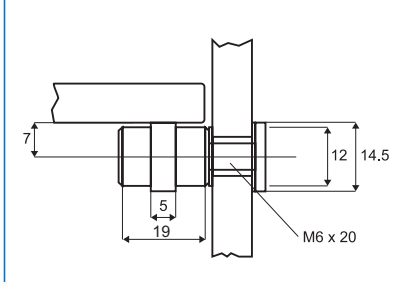
Item No.: # 22.02.115



SHELF SUPPORT - "Single" - Steel - w/1 transparent ring

Material: Steel, chrome plated
Size: $\varnothing 12 \times 19$ mm
Bore: $\varnothing 8$ mm
Glass thickness: 4 - 8 mm

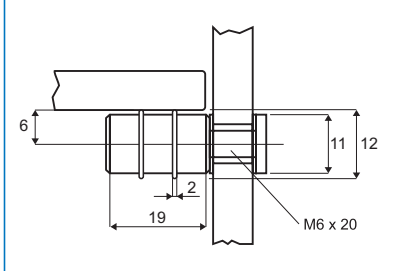
Item No.: # 22.02.106



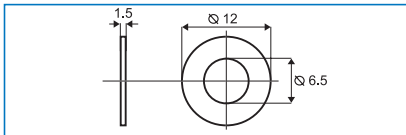
SHELF SUPPORT - "Single" - Steel - w/2 transparent rings

Material: Steel, chrome plated
Size: $\varnothing 11 \times 19$ mm
Bore: $\varnothing 8$ mm
Glass thickness: 4 - 8 mm

Item No.: # 22.02.105



EXTRA RUBBER washer for shelf support # 22.02.115 & 116
 Transparent # 22.02.114

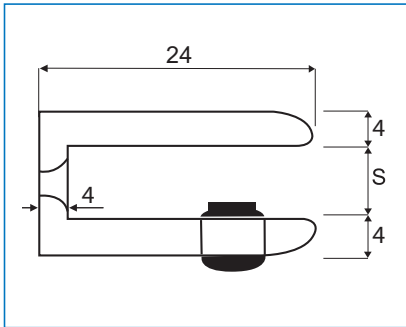


SHELF SUPPORT - Cylindrical Mounting with wood screw $\varnothing 4,5$ mm
Material: Zamak

Sizes

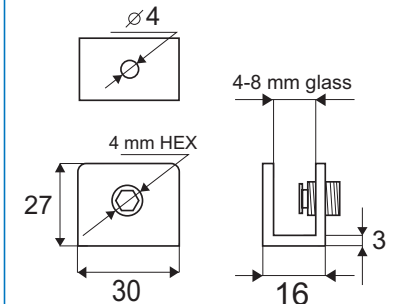
	\varnothing	S	
CPL	$\varnothing 17$ mm	4 - 6 mm	# 22.02.220
ALU	$\varnothing 17$ mm	4 - 6 mm	# 22.02.221
CPL	$\varnothing 20$ mm	8 - 10 mm	# 22.02.210
ALU	$\varnothing 20$ mm	8 - 10 mm	# 22.02.213

Packing
 100 pcs



GLASS SHELF SUPPORT „SQUARE“ w/ $\varnothing 4$ mm screw hole, CSK

Material: Zamak
Size: (W/H/D) 30 x 27 x 16 mm
Glass thickness: 4 - 8 mm
 Chrome plated # 22.02.560
 Alu finish # 22.02.561
 SS-look # 22.02.563

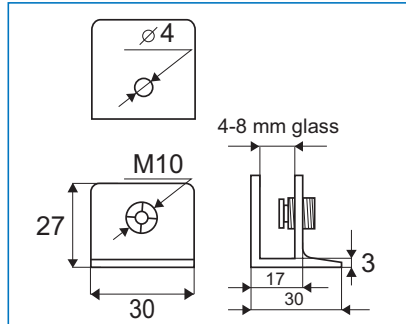


SHELF SUPPORTS FOR GLASS

- high quality furniture fittings

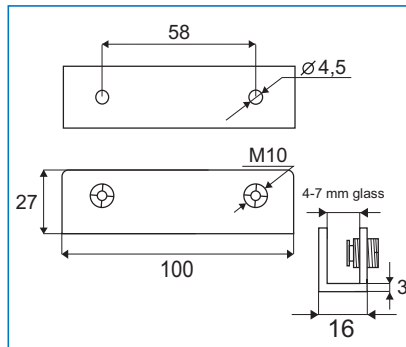
GLASS SHELF SUPPORT „SQUARE“ "X-STRONG"

Material: Zamak
Size: (W/H/D) 30 x 30 x 27 mm
Glass thickness: 4 - 8 mm
Mounting: Ø 4 mm CSK hole
 Chrome plated # 22.02.610
 Alu finish # 22.02.611



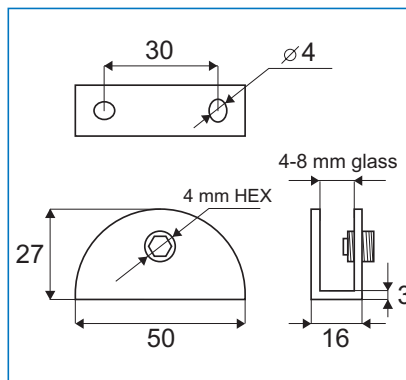
GLASS SHELF SUPPORT „SQUARE XL“

Material: Zamak
Size: (W/H/D) 100 x 16 x 27 mm
Glass thickness: 4 - 8 mm
Mounting: Ø 4 mm CSK hole
 Chrome plated # 22.02.565
 Alu finish # 22.02.566



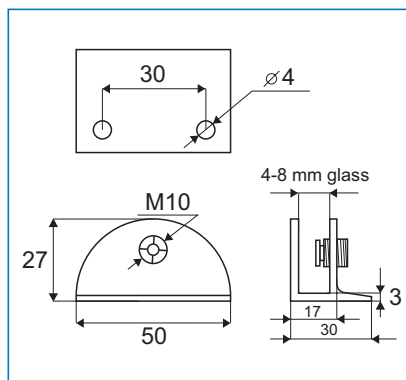
GLASS SHELF SUPPORT „HALF MOON“ w/Ø4 mm screw hole, CSK

Material: Zamak
Size: (W/H/D) 50 x 16 x 27 mm
Glass thickness: 4 - 8 mm
 Chrome plated # 22.02.570
 Alu finish # 22.02.571
 SS-look # 22.02.573



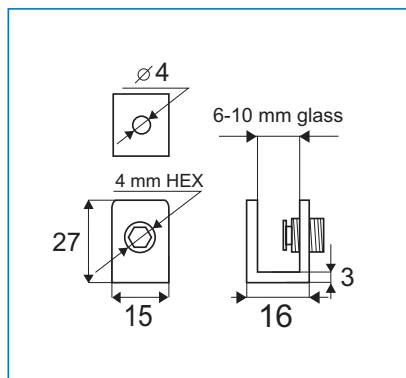
GLASS SHELF SUPPORT „HALF-MOON“ "X-STRONG"

Material: Zamak
Size: (W/H/D) 50 x 30 x 27 mm
Glass thickness: 4 - 8 mm
Mounting: Ø 4 mm CSK hole
 Chrome plated # 22.02.620
 Alu finish # 22.02.621



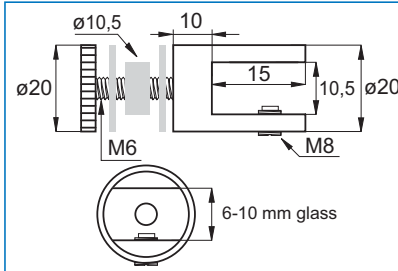
GLASS SHELF SUPPORT „MUS“ w/Ø4 mm screw hole, CSK

Material: Zamak
Size: (W/H/D) 15 x 16 x 27 mm
Glass thickness: 6 - 10 mm
 Chrome plated # 22.02.600
 Alu finish # 22.02.601
 SS-look # 22.02.603



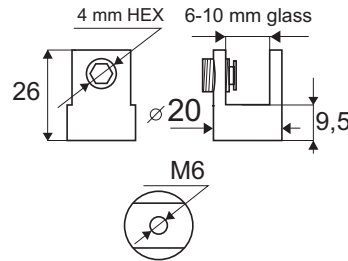
**GLASS SHELF SUPPORT „CYLINDRICAL“
F/GLASS WALL FIXING**

Material: Brass
Size: Ø 20 x 26 mm
Glass thickness: 6 - 10 mm
Chrome plated # 22.02.235



**GLASS SHELF SUPPORT „CYLINDRICAL“
w/M6 mm screw hole**

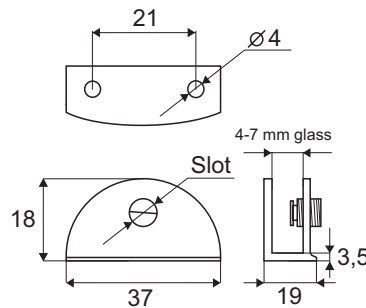
Material: Zamak
Size: Ø 20 x 26 mm
Glass thickness: 6 - 10 mm
Chrome plated # 22.02.226
Alu finish # 22.02.227
SS-look # 22.02.228



**GLASS SHELF SUPPORT „DOME“
SMALL w/Ø4 mm screw hole, CSK**

Material: Zamak, Chrome plated
Size: (W/H/D) 37 x 19 x 18 mm
Glass thickness: 4 - 7 mm
Item No. # 22.02.575

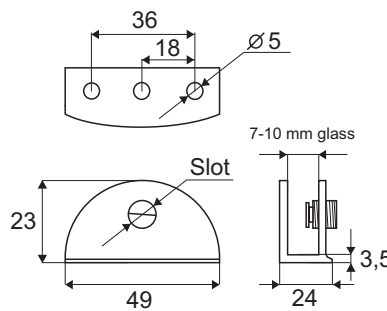
Inclusive screws and wall plugs



**GLASS SHELF SUPPORT „DOME“
LARGE w/Ø5 mm screw holes, CSK**

Material: Zamak
Size: (W/H/D) 49 x 24 x 23 mm
Glass thickness: 7 - 10 mm
Chrome plated # 22.02.580
Alu finish # 22.02.581

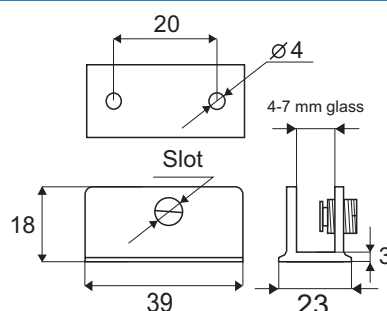
Inclusive screws and wall plugs



**GLASS SHELF SUPPORT „RECTA“
SMALL w/Ø4 mm screw holes, CSK**

Material: Zamak, Chrome plated
Size: (W/H/D) 39 x 23 x 18 mm
Glass thickness: 4 - 7 mm
Item No. # 22.02.590

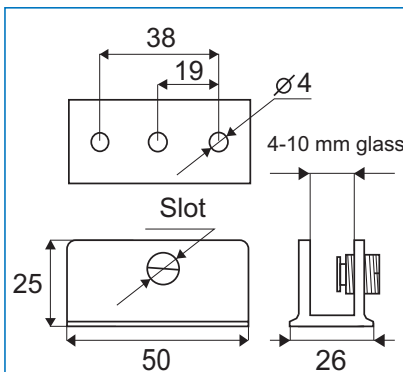
Inclusive screws and wall plugs



**GLASS SHELF SUPPORT „RECTA“
LARGE w/Ø5 mm screw holes, CSK**

Material: Zamak, Chrome plated
Size: (W/H/D) 50 x 26 x 25 mm
Glass thickness: 4 - 10 mm
Item No. # 22.02.595

Inclusive screws and wall plugs



CABLE SIGN SYSTEM F/WALL MOUNTING ALUMINIUM ANODIZED

- high quality furniture fittings



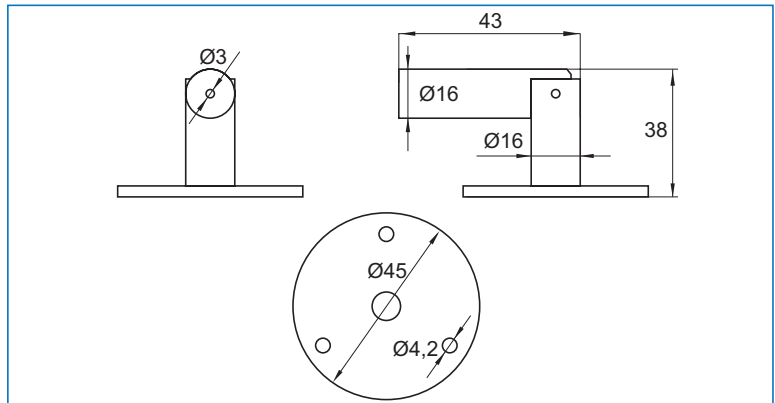
1 SET CONSISTS OF:

2 x 2 meters \varnothing 1,5 mm SS 304 wire
2 x top fixings & 2 bottom fixings with spring tension
Suitable for A1, A2, A3 & A4 signs
(Sign holders to be bought separately)

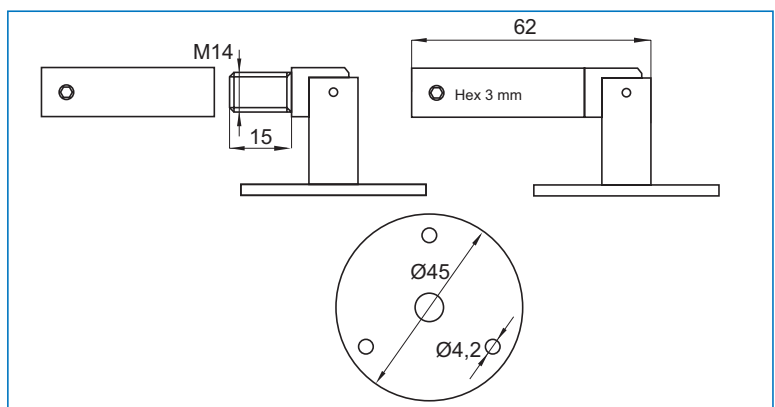
Item No. # 22.12.050



Top fixing



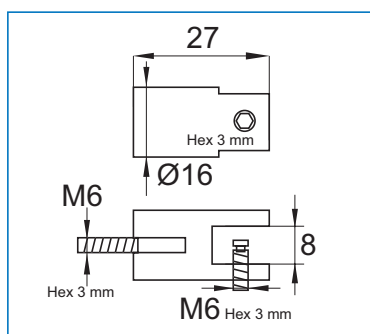
Bottom fixing



CABLE SIGN HOLDERS IN ALUMINIUM

Size: \varnothing 16 x 27 mm
Display thickness from 6 - 8 mm
4 pcs per sign is needed

Item No. # 22.12.060



CABLE SHELF SYSTEM F/WALL MOUNTING ALUMINIUM ANODIZED

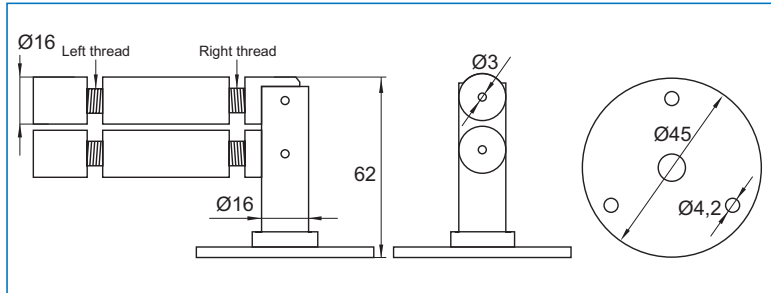
1 SET CONSISTS OF:

- 2 x 4 meters \varnothing 3 mm SS 304 wire
- 2 x top fixings & 2 bottom fixings with spring tension
- 4 x shelf sticks
- Max 20 kg per shelf
- Max shelf size: 330 x 500 mm (D/L)
- (Shelf holders to be bought separately)

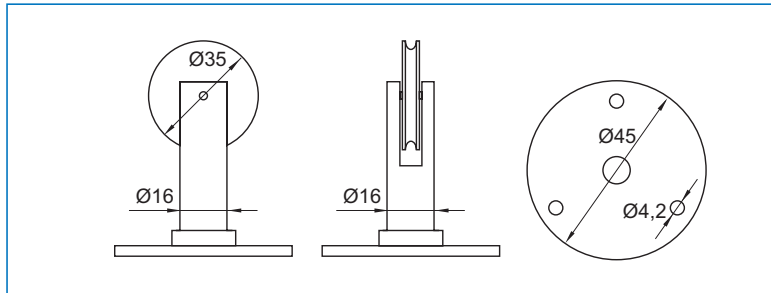
Item No. # 22.12.000



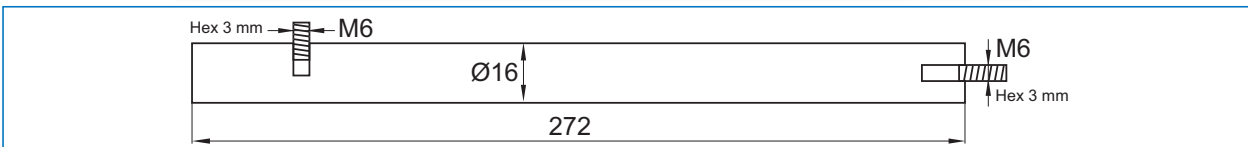
Bottom fixing



Top fixing



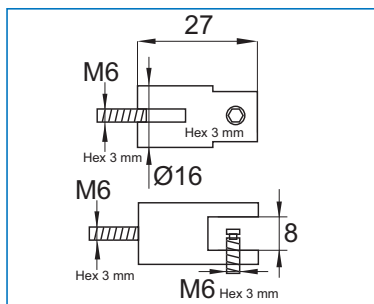
Shelf stick



**CABLE SHELF HOLDERS
IN ALUMINIUM**

- Size: \varnothing 16 x 27 mm
- Display thickness from 6 - 8 mm
- 4 pcs per shelf is needed

Item No. # 22.12.010



ADJUSTABLE SHELF SUPPORT „PELICANS“

- high quality furniture fittings

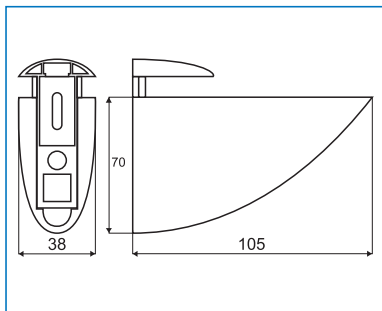
MODEL NO. 53

For glass & wood shelves

Material: Zamak
Shelf thickness: 4-40 mm
Max load: 40 kg

Finish:

Alu finish # 22.02.550
 Mat nickel # 22.02.551
 Polished chrome # 22.02.552



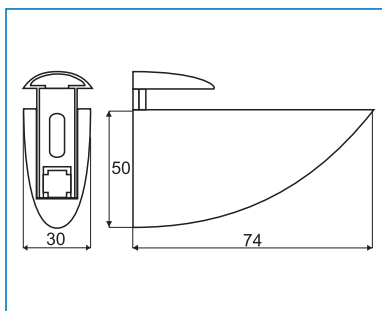
MODEL NO. 52

For glass & wood shelves

Material: Zamak
Shelf thickness: 4-26 mm
Max load: 30 kg

Finish:

Alu finish # 22.02.545
 Mat nickel # 22.02.546
 Polished chrome # 22.02.547
 SS-look # 22.02.548



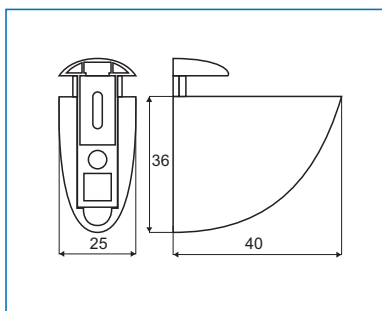
MODEL NO. 45

For glass & wood shelves

Material: Zamak
Shelf thickness: 4-10 mm
Max load: 20 kg

Finish:

Polished chrome # 22.02.495
 SS-look # 22.02.496



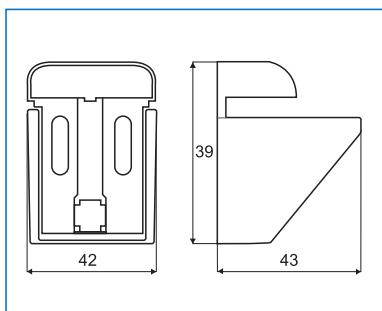
MODEL NO. 51

For glass & wood shelves

Material: Zamak
Shelf thickness: 4-26 mm
Max load: 30 kg

Finish:

Mat chrome coated # 22.02.540
 Mat nickel coated # 22.02.541
 Polished chrome # 22.02.542
 SS-look # 22.02.543



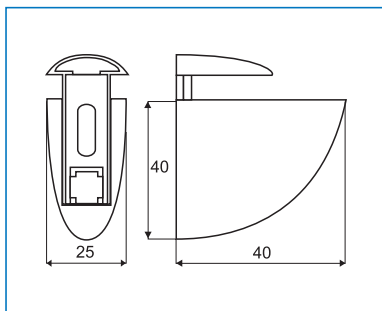
MODEL NO. 48

For glass & wood shelves

Material: Zamak
Shelf thickness: 4-24 mm
Max load: 20 kg

Finish:

Mat chrome coated # 22.02.520
 Mat nickel coated # 22.02.521
 Polished chrome # 22.02.522
 SS-look # 22.02.523

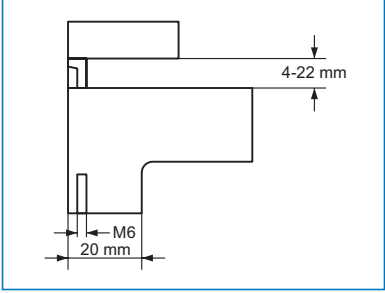


ADJUSTABLE SHELF SUPPORT „PELICANS“

MODEL NO. 49
 For glass & wood shelves

Material: Zamak
Shelf thickness: 4-22 mm
Max load: 20 kg

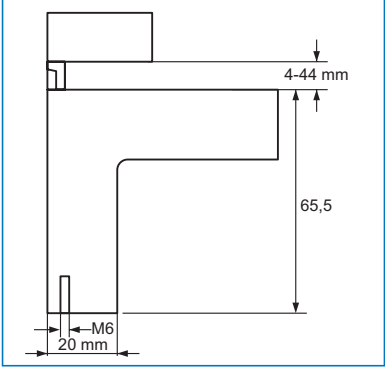
Finish:
 Chrome plated # 22.02.525
 Alu finish # 22.02.526
 SS-look # 22.02.527



MODEL NO. 54
 For glass & wood shelves

Material: Zamak
Shelf thickness: 4-44 mm
Max load: 20 kg

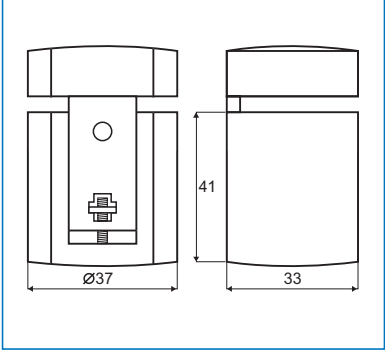
Finish:
 Chrome plated # 22.02.555
 Alu finish # 22.02.556
 SS-look # 22.02.557



MODEL NO. 43
 For glass & wood shelves

Material: Zamak
Shelf thickness: 4-24 mm
Max load: 20 kg

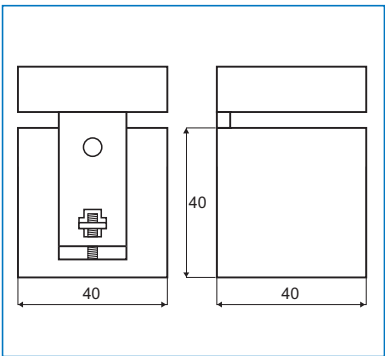
Finish:
 Black coated # 22.02.470
 Alu finish # 22.02.471
 Polished chrome # 22.02.472
 SS-look # 22.02.473
 Matt nickel # 22.02.474



MODEL NO. 44
 For glass & wood shelves

Material: Zamak
Shelf thickness: 4-24 mm
Max load: 20 kg

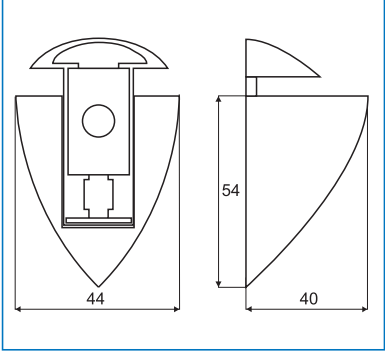
Finish:
 Black coated # 22.02.475
 Alu finish # 22.02.476
 Polished chrome # 22.02.477
 SS-look # 22.02.478
 Matt nickel # 22.02.479



MODEL NO. 47
 For glass & wood shelves

Material: Zamak
Shelf thickness: 4-22 mm
Max load: 20 kg

Finish:
 Mat chrome coated # 22.02.510
 Mat nickel coated # 22.02.511
 Polished chrome # 22.02.512
 SS-look # 22.02.513



ZAMAK GLASS CLAMP NO. 31 F/WALL MOUNTING

- high quality furniture fittings



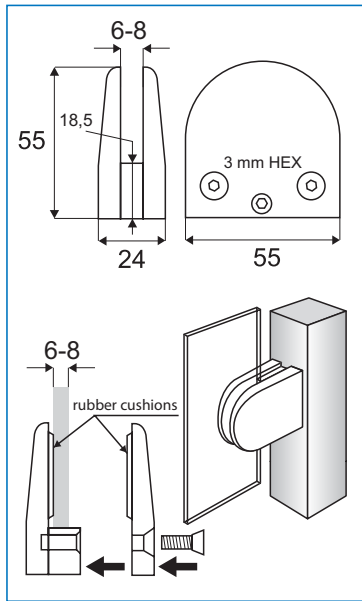
Application
Balconies, balustrade, shelves etc.

Material
Zamak

Model „Large“ w/round rubber rings f/glass thickness 6-8 mm

Chrome plated # 22.10.150
Gold plated # 22.10.151
Matt nickel plated # 22.10.152
Alu finish # 22.10.156

Packing
100 pcs per carton



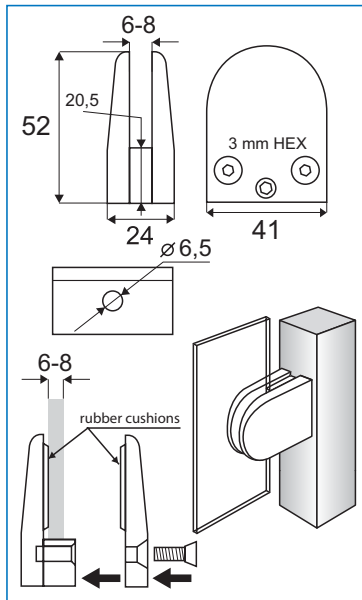
Application
Balconies, balustrade, shelves etc.

Material
Zamak

Model „Medium“ w/flat rubber cushions f/glass thickness 6-8 mm

Chrome plated # 22.10.160
Matt nickel plated # 22.10.161
SS-look # 22.10.162

Packing
100 pcs per carton



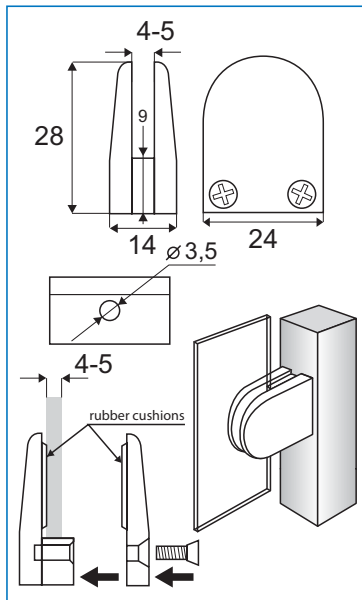
Application
Balconies, balustrade, shelves etc.

Material
Zamak

Model „Small“ w/flat rubber cushions f/glass thickness 4-5 mm

Chrome plated # 22.10.165
Matt nickel plated # 22.10.166

Packing
500 pcs per carton



ZAMAK GLASS CLAMP NO. 31 F/TUBE MOUNTING

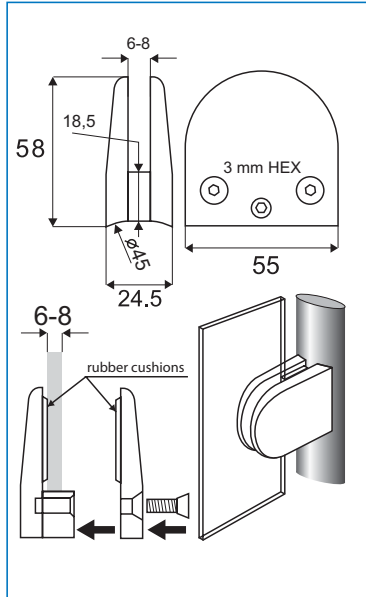
Application
Balconies, balustrade, staircases etc.

Material
Zamak

ø45 mm tube „L“ w/round rubber rings f/glass thickness 6-8 mm

Chrome plated # 22.10.170
Matt nickel plated # 22.10.171

Packing
100 pcs per carton



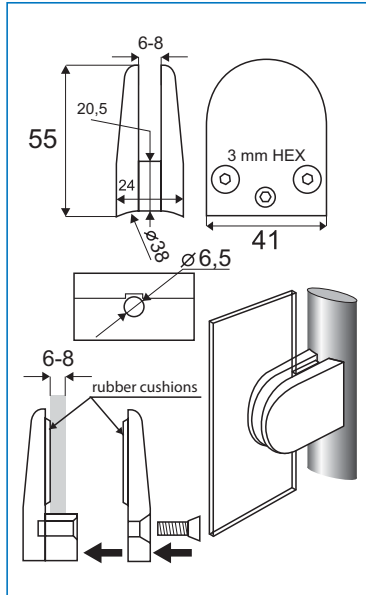
Application
Balconies, balustrade, staircases etc.

Material
Zamak

ø38 mm tube „M“ w/flat rubber cushions f/glass thickness 6-8 mm

Chrome plated # 22.10.175
Matt nickel plated # 22.10.176

Packing
100 pcs per carton



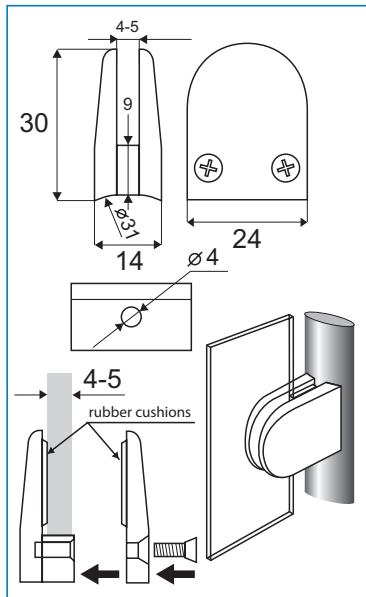
Application
Balconies, balustrade, staircases etc.

Material
Zamak

ø31 mm tube „S“ w/flat rubber cushions f/glass thickness 4-5 mm

Chrome plated # 22.10.180
Matt nickel plated # 22.10.181

Packing
500 pcs per carton

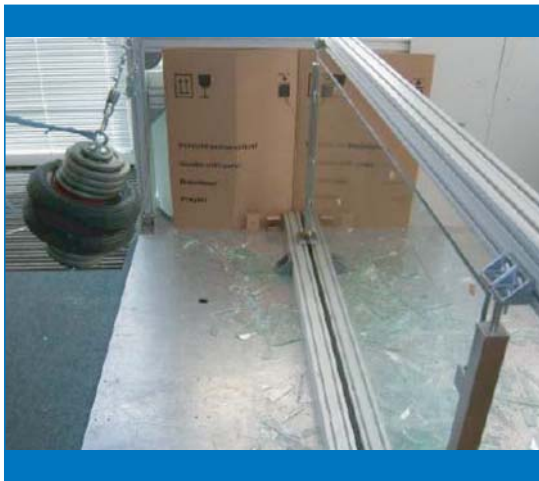


STAINLESS STEEL & ZAMAK GLASS CLAMPS APPROVED BY TÜV – GERMANY ACCORDING TO EN-12600

- high quality furniture fittings



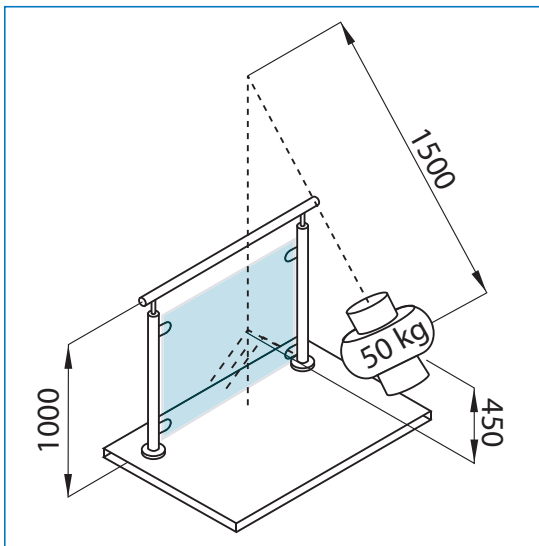
ON THE BASIS OF THE EN-12600 STANDARD, SISO'S GLASS CLAMPS MODEL SQUARE, OVAL-S & OVAL-L IN STAINLESS STEEL 304, 316 & ZAMAK HAVE BEEN APPROVED BY TÜV – GERMANY.



DROP IMPACT TEST



DROP IMPACT TEST



STATIC TEST

Material: Brushed stainless steel 304 & 316 or zamak, raw

Glass thickness: 6 - 10,76 mm
Size: 45 x 47 x 27 mm

Model „Flat“ without cushions
 SS-316 Brushed # 22.10.200-0
 SS-304 Brushed # 22.10.200-9
 Zamak Raw # 22.10.200-8

Model „Tube ø33,7 mm“ without cushions
 SS-316 Brushed # 22.10.201-0
 SS-304 Brushed # 22.10.201-9
 Zamak Raw # 22.10.201-8

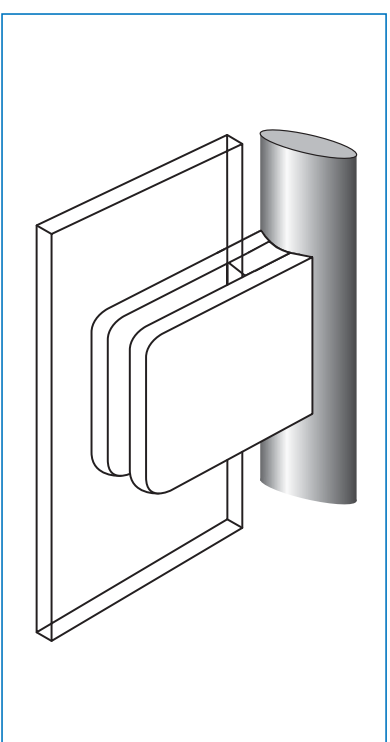
Model „Tube ø42,4 mm“ without cushions
 SS-316 Brushed # 22.10.202-0
 SS-304 Brushed # 22.10.202-9
 Zamak Raw # 22.10.202-8

Model „Tube ø48,3 mm“ without cushions
 SS-316 Brushed # 22.10.203-0
 SS-304 Brushed # 22.10.203-9
 Zamak Raw # 22.10.203-8

EPDM-cushions to regulate glass thickness to be bought separately

Optional:
 Cover cap - silver color # 22.10.251

Mounting screw SS 304 for clamp fixing
 M8 x 12 mm # 22.10.248
 M8 x 14 mm # 22.10.249



MODEL „SQUARE“	Glass thickness	Glass Type	Cushion mm	Item numbers		
	6	mono	4 + 5	22.10.207	+	22.10.208
	6,76	Lam.	4 + 4	22.10.207	+	22.10.207
	8	mono	3 + 4	22.10.206	+	22.10.207
	8,76	Lam.	3 + 3	22.10.206	+	22.10.206
	10	mono	2 + 3	22.10.205	+	22.10.206
	10,76	Lam.	2 + 2	22.10.205	+	22.10.205

STAINLESS STEEL & ZAMAK GLASS CLAMPS „OVAL-S“

- high quality furniture fittings



Material: Brushed/polished stainless steel 304 & 316 or zamak, raw

Glass thickness: 6 - 10,76 mm

Size: 45 x 50 x 27 mm

Model „Flat“ without cushions

- SS-316 Brushed # 22.10.210-0
- SS-316 Polished # 22.10.260-0
- SS-304 Brushed # 22.10.210-9
- Zamak Raw # 22.10.210-8

Model „Tube ø33,7 mm“ without cushions

- SS-316 Brushed # 22.10.211-0
- SS-304 Brushed # 22.10.211-9
- Zamak Raw # 22.10.211-8

Model „Tube ø42,4 mm“ without cushions

- SS-316 Brushed # 22.10.212-0
- SS-316 Polished # 22.10.262-0
- SS-304 Brushed # 22.10.212-9
- Zamak Raw # 22.10.212-8

Model „Tube ø48,3 mm“ without cushions

- SS-316 Brushed # 22.10.213-0
- SS-304 Brushed # 22.10.213-9
- Zamak Raw # 22.10.213-8

EPDM-cushions to regulate glass thickness to be bought seperately

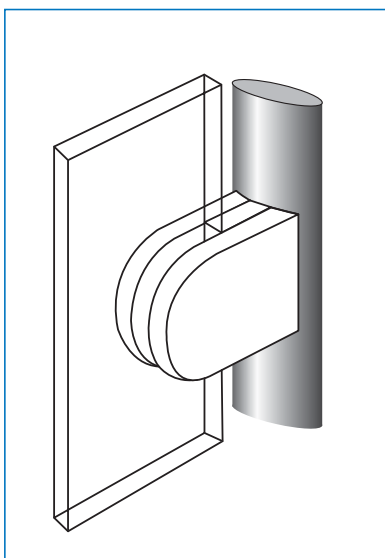
Optional:

- Safety pins ø5,5 x 18 mm
- White plastic # 22.10.240
- SS-304 w/tube # 22.10.239

Cover cap - silver color # 22.10.251

Mounting screw SS 304 for clamp fixing

- M8 x 12 mm # 22.10.248
- M8 x 14 mm # 22.10.249



22.10.210

22.10.211

22.10.212

22.10.213

MODEL „OVAL-S“	Glass thickness	Glass Type	Cushion mm	Item numbers		
	6	mono	5 + 5	22.10.217	+	22.10.217
	6,76	Lam.	4 + 5	22.10.216	+	22.10.217
	8	mono	4 + 4	22.10.216	+	22.10.216
	8,76	Lam.	3 + 4	22.10.215	+	22.10.216
	10	mono	3 + 3	22.10.215	+	22.10.215
	10,76	Lam.	2 + 3	22.10.214	+	22.10.215

STAINLESS STEEL & ZAMAK GLASS CLAMPS „OVAL-L“

Material: Brushed stainless steel 304 & 316 or zamak, raw

Glass thickness: 6 - 10,76 mm

Size: 45 x 64 x 26,5 mm

Model „Flat“ without cushions

SS-316 Brushed # 22.10.220-0

SS-304 Brushed # 22.10.220-9

Zamak Raw # 22.10.220-8

Model „Tube ø33,7 mm“ without cushions

SS-316 Brushed # 22.10.221-0

SS-304 Brushed # 22.10.221-9

Zamak Raw # 22.10.221-8

Model „Tube ø42,4 mm“ without cushions

SS-316 Brushed # 22.10.222-0

SS-304 Brushed # 22.10.222-9

Zamak Raw # 22.10.222-8

Model „Tube ø48,3 mm“ without cushions

SS-316 Brushed # 22.10.223-0

SS-304 Brushed # 22.10.223-9

Zamak Raw # 22.10.223-8

EPDM-cushions to regulate glass thickness to be bought separately

Optional:

Safety pins ø7,5 x 19 mm

White plastic # 22.10.241

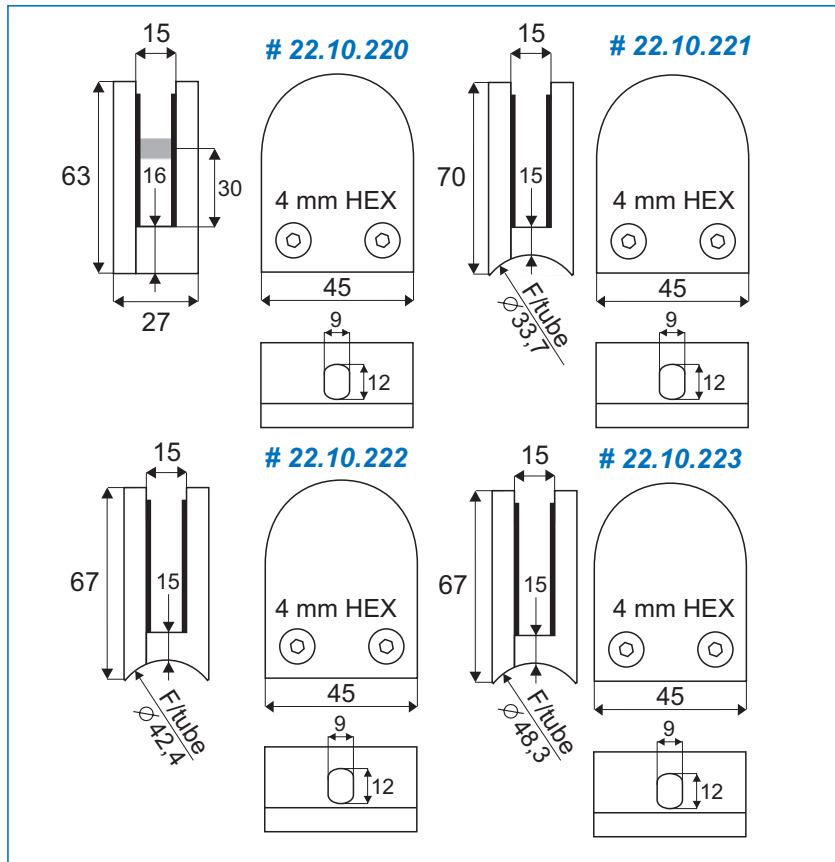
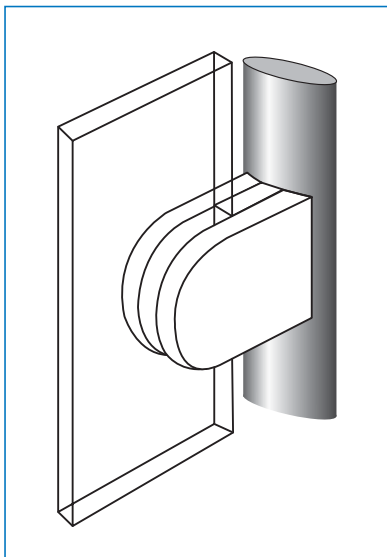
SS-304 w/tube # 22.10.242

Cover cap - silver color # 22.10.251

Mounting screw SS 304 for clamp fixing

M8 x 12 mm # 22.10.248

M8 x 14 mm # 22.10.249



MODEL „OVAL-L“	Glass thickness	Glass Type	Cushion mm	Item numbers		
	6	mono	5 + 5	22.10.227	+	22.10.227
	6,76	Lam.	4 + 5	22.10.226	+	22.10.227
	8	mono	4 + 4	22.10.226	+	22.10.226
	8,76	Lam.	3 + 4	22.10.225	+	22.10.226
	10	mono	3 + 3	22.10.225	+	22.10.225
	10,76	Lam.	2 + 3	22.10.224	+	22.10.225

STAINLESS STEEL & ZAMAK GLASS CLAMPS „SQUARE” W/ BOTTOM PLATE F/EASY MOUNTING

- high quality furniture fittings



Material:

Brushed or polished stainless steel
304 & 316 or zamak, raw.

Glass thickness: 6,76 – 12,76 mm

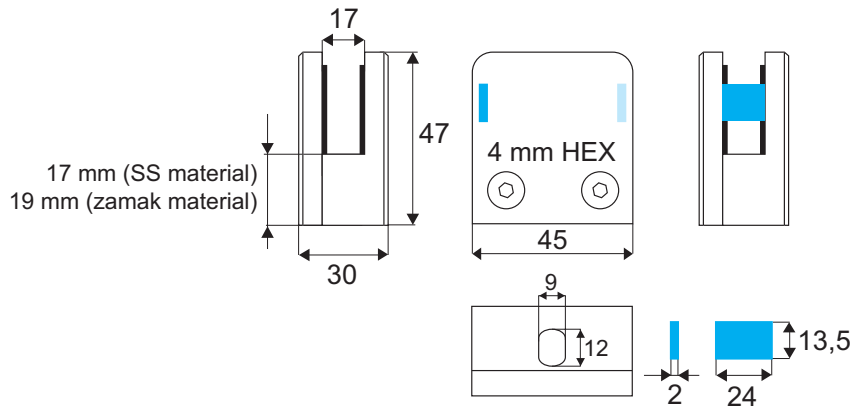
Size: 45 x 47 x 30 mm

Specifications:

Flat back side.
W/stainless steel bottom plate
Without cushions (to be bought
separately)

Item No:

Zamak raw # 22.10.300
SS 304 brushed # 22.10.310
SS 316 brushed # 22.10.320
SS 316 polished # 22.10.321



MODEL SQUARE	Glass thickness	Glass type	Cushion mm	Item numbers		
	6,76 mm	Lam.	6 + 6	22.10.209	+	22.10.209
	8 mm	Mono	5 + 6	22.10.208	+	22.10.209
	8,76 mm	Lam.	5 + 5	22.10.208	+	22.10.208
	10 mm	Mono	4 + 5	22.10.207	+	22.10.208
	10,76 mm	Lam.	4 + 4	22.10.207	+	22.10.207
	12 mm	Mono	3 + 4	22.10.206	+	22.10.207
	12,76 mm	Lam.	3 + 3	22.10.206	+	22.10.206

Application:
Baluster posts square or round tubes, for balconies, balustrades, stair cases etc.

Material:
Brushed stainless steel 304

Sizes:
40 x 40 x 960 x 1,5 mm
or $\varnothing 42,2$ x 960 x 1,7 mm

Specifications:
Supplied with pre-tapped holes for mounting of glass clamps. Fixed or flexible handrail tops (not adjustable in the height)

Models:
Square w/fixed handrail top f/square tubes
W/ 2 through holes # 22.10.350
W/ 2 holes on one side # 22.10.351
W/ 2 holes on 2 sides for 90° angle # 22.10.352

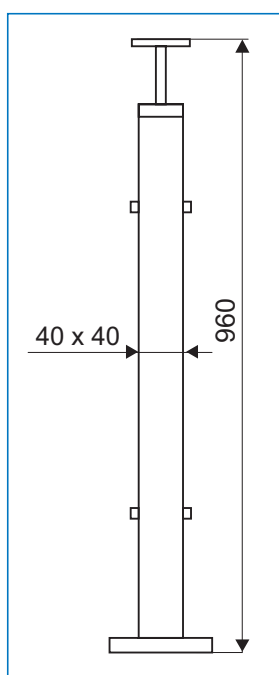
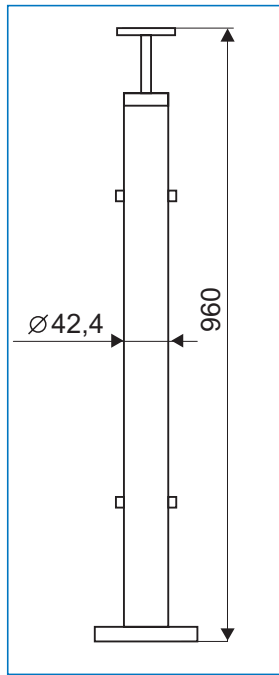
Square w/flexible handrail top f/square tubes
W/ 2 through holes # 22.10.355
W/ 2 holes on one side # 22.10.356
W/ 2 holes on 2 sides for 90° angle # 22.10.357

Round w/fixed handrail top f/ $\varnothing 42,2$ mm tubes
W/ 2 through holes # 22.10.360
W/ 2 holes on one side # 22.10.361
W/ 2 holes on 2 sides for 90° angle # 22.10.362

Round w/flexible handrail top f/ $\varnothing 42,2$ mm tubes
W/ 2 through holes # 22.10.365
W/ 2 holes on one side # 22.10.366
W/ 2 holes on 2 sides for 90° angle # 22.10.367

Packing:
1 post incl. mounting screws M8 x 14 mm for fixing of glass clamps.
Incl. base cover & 4 floor plugs and screws

Glass clamps to be ordered separately.



Flexible handrail top



MAGNETIC TOUCH LATCHES

- high quality furniture fittings

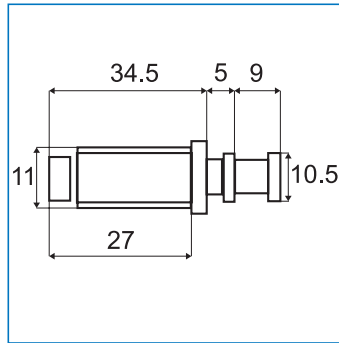
MAGNETIC TOUCH LATCH

Knock in type
- No striker included

Finish: Black Plastic # 22.01.095
Bore: Ø 11 x 38 mm

Packing

350 pcs per box
2800 pcs per export carton



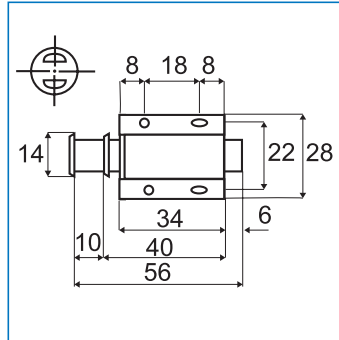
MAGNETIC TOUCH LATCH - SINGLE

Screw on - No striker included
- round type

Finish: black plastic # 22.01.070
Fixation: c.c. 22 mm

Packing

250 pcs per box
1000 pcs per export carton



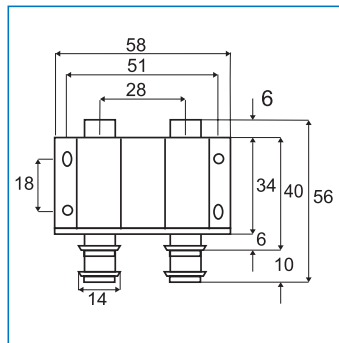
MAGNETIC TOUCH LATCH - DOUBLE

Screw on - no striker included
- round type

Finish: black plastic # 22.01.088
Fixation: c.c. 18 mm/51 mm

Packing

500 pcs per box



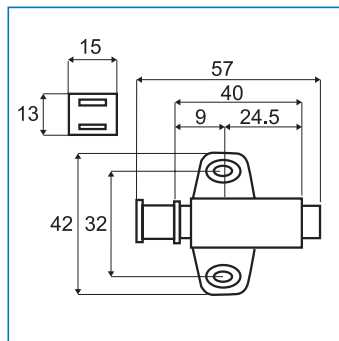
MAGNETIC TOUCH LATCH - SINGLE

Screw on - no striker included
- square type

Finish: black plastic # 22.01.075
Fixation: c.c. 32 mm

Packing

250 pcs per box
1000 pcs per export carton



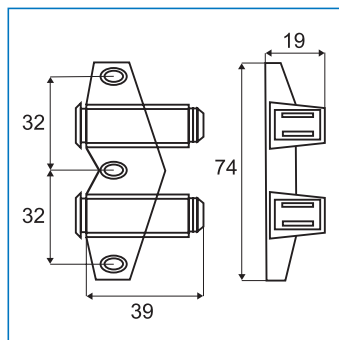
MAGNETIC TOUCH LATCH - DOUBLE

Screw on - no striker included
- square type

Finish: black plastic # 22.01.087
Fixation: c.c. 32 mm/64 mm

Packing

125 pcs per box
500 pcs per export carton



TOUCH LATCHES "PUSH-TO-OPEN"

MAGNET TOUCH LATCH "SLIM" W/STRIKER

Application: Push-to-open touch latch for doors and drawers with magnet & striker. Suitable for wood & glass fronts

Material: Black ABS, White ABS, Grey ABS RAL 7040

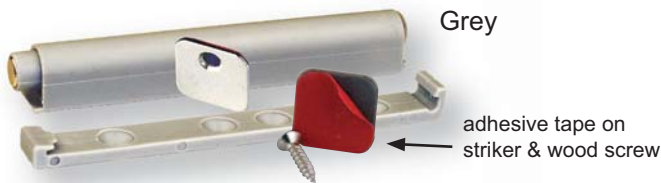
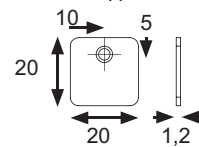
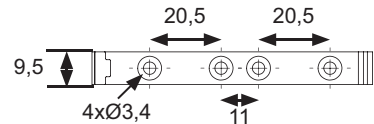
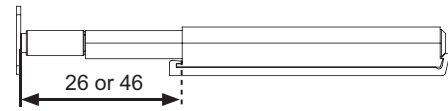
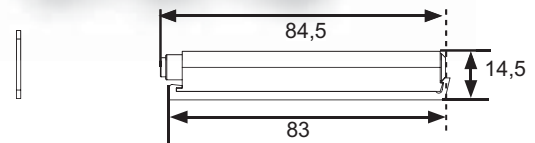
Overall size: 84,5 mm x 14,5 mm

Extended: 105 mm

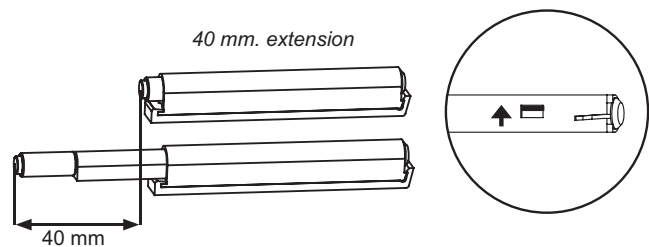
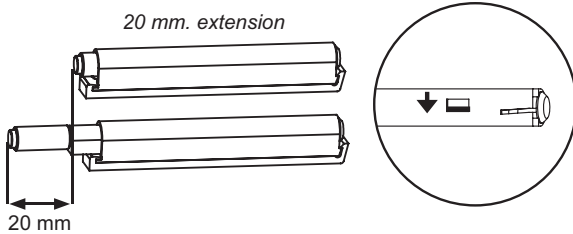
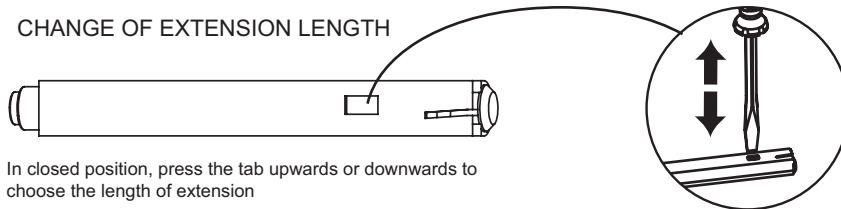
Item No.: # 22.01.104 (White)
22.01.105 (Black)
22.01.106 (Grey)

Incl. Steel striker 20 x 20 mm with adhesive tape for glass fixing & screw hole for wood fixing.

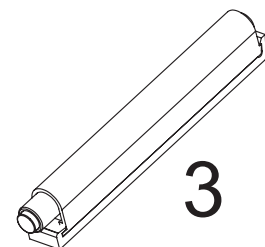
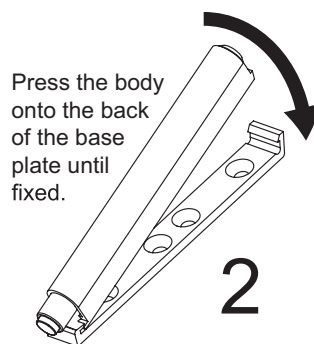
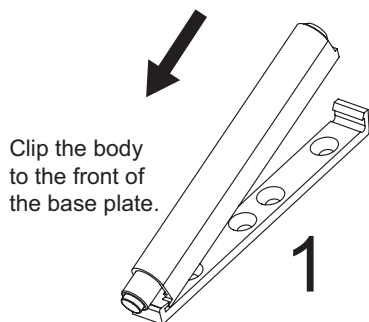
Screws to be ordered separately



CHANGE OF EXTENSION LENGTH



Mounting of latch



STRIKING PLATES

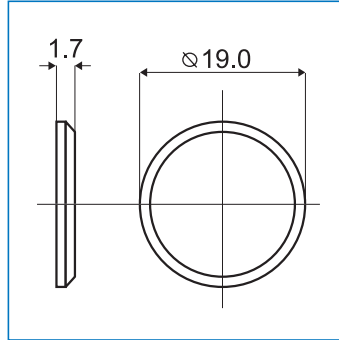
- high quality furniture fittings

ROUND STRIKER - SELF ADHESIVE

For Rigid Fixation
- Stick On Type

Material: Steel
Nickel plated
Diameter: Ø 19 mm

22.01.118



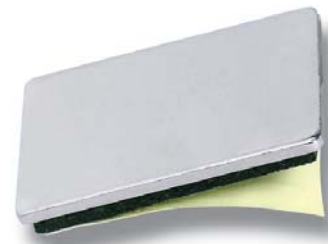
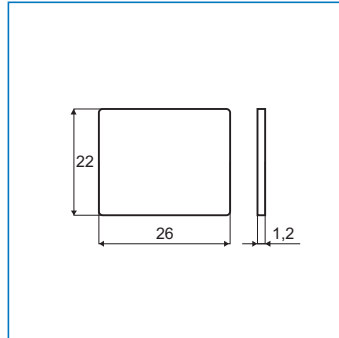
SQUARE STRIKER - SELF ADHESIVE

For Rigid Fixation
- Stick On Type

Material: Steel
Nickel plated

22.01.127

Size: 26 x 22 mm



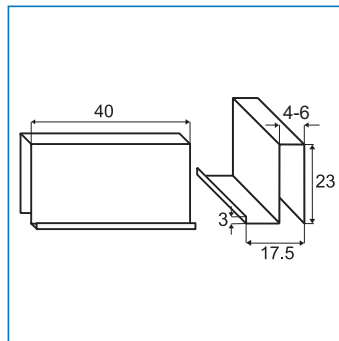
CATCH PLATE - GLASS

with Handle & Pad
Size: 23 x 40 mm
4-6 mm glass thickness

Material: Steel
Chrome plate # 22.03.015
Black anodized # 22.03.016
Brass plated # 22.03.017

Packing

200 pcs per box
1000 pcs per export carton



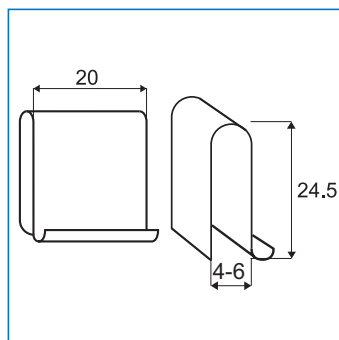
CATCH PLATE - GLASS

With Handle
Model: #558
Size: 20 x 20 mm
4-6 mm glass thickness

Material: Steel
Black anodized # 22.03.018

Packing

200 pcs per box
2000 pcs per export carton



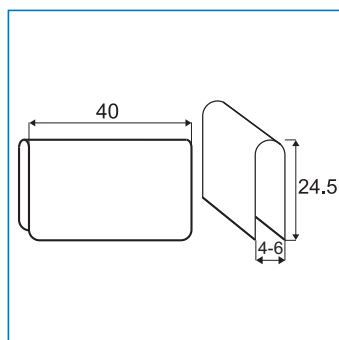
CATCH PLATE - GLASS

With Pad
Size: 40 x 25 mm
4-6 mm glass thickness

Material: Steel
Brass plated # 22.03.100
Black anodized # 22.03.111
Chrome plated # 22.03.115

Packing

200 pcs per box
1000 pcs per export carton



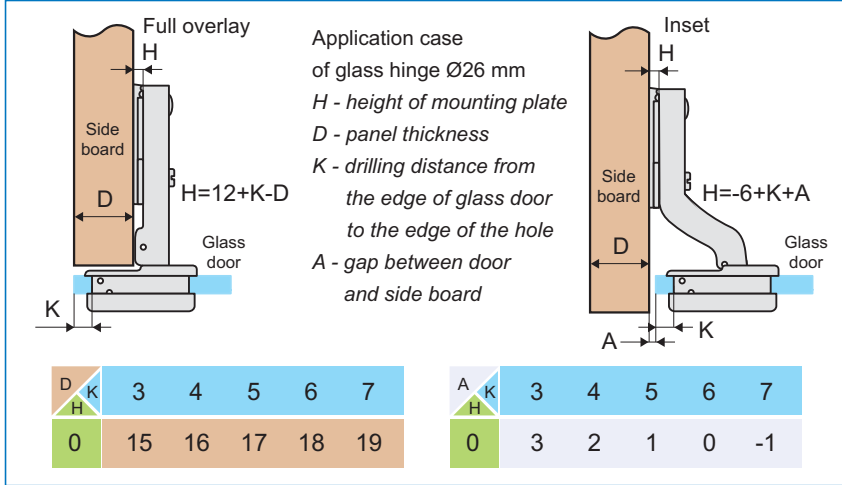
GLASS DOOR HINGES „MINI“ WITH FRONT COVER

**AUTOMATIC GLASS DOOR HINGE
WITH
DOUBLE SPRING ACTION**

Opening angle: 92°
Glass door drilling:
26 mm for glass thickness 4 to 6 mm
Supplied complete with wing mounting plate.
Steel nickel pl. 3 mm distance
for chipboard screw attachment
housing: plastic black
Hingearm keyhole type,
steel nickel pl.

TYPE A = FULL OVERLAY DOORS
0 mm cranking # 15.01.700

TYPE C = INSET DOORS
17 mm cranking # 15.01.710

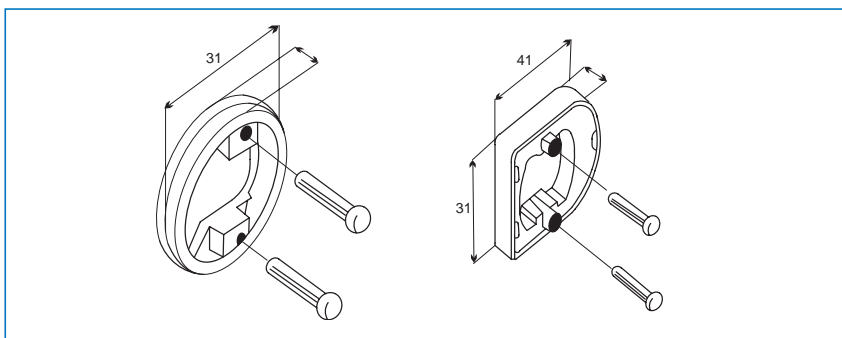


COVER CAPS FOR HINGE „MINI“

FRONT COVER PLASTIC

- Round cover, chrome # 15.02.720
- Round cover, gold # 15.02.721
- Round cover, black # 15.02.722
- Round cover, alu # 15.02.723
- Round cover, matt NPL # 15.02.724

- Oval cover, chrome # 15.02.730
- Oval cover, gold # 15.02.731
- Oval cover, black # 15.02.732
- Oval cover, alu # 15.02.733
- Oval cover, matt NPL # 15.02.734



GLASS DOOR HINGE „SMART-92“ WITH FRONT COVER

- high quality furniture fittings



GLASS DOOR HINGE „SMART-92“

Application

For inset doors. Ideal for furniture where only a very narrow wooden side-wall/pole is available. Direct fixing to side-wall/pole without any mounting plate

Mounting

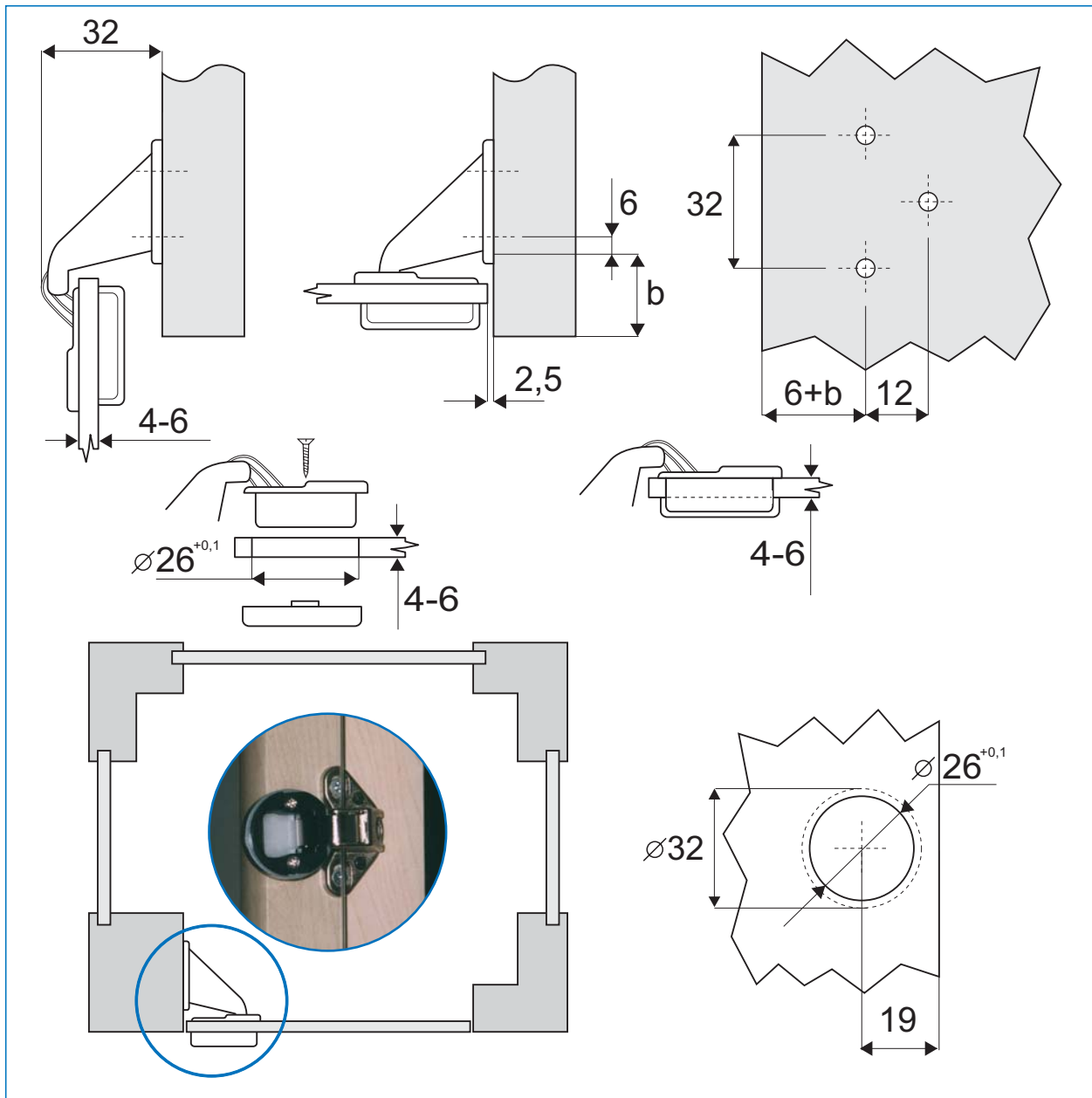
Glass door drilling: $\varnothing 26$ mm
Glass thickness: 4-6 mm
C.C. 32 mm

Material

Hinge arm: Zamak, nickel plated
Hinge cup: Black plastic
Item No. # 15.01.000
Plastic cover cap $\varnothing 32$ mm

Finish

Alu finish # 15.01.050

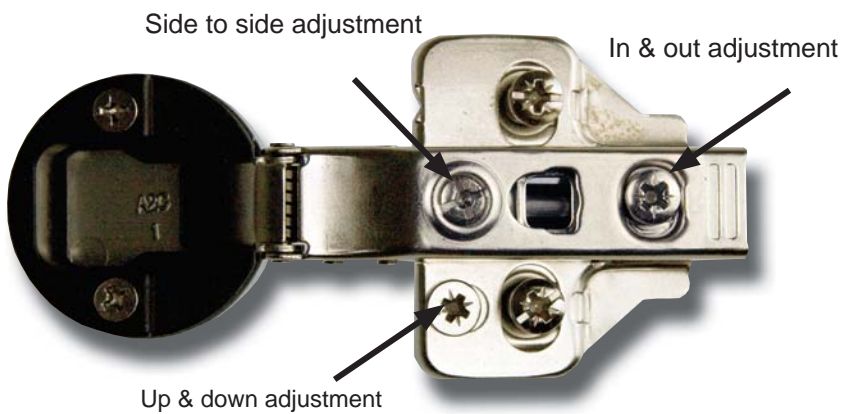


SOFT CLOSE MINI GLASS DOOR HINGE Ø 26 MM - 95°

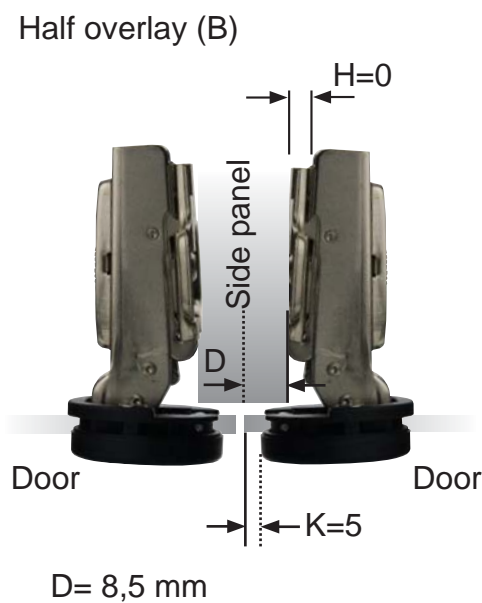


Standard model

Hinge w/mounting plate f/easy up & down adjustment (optional)



- H** = height of mounting plate
- D** = required door overlay
- K** = drilling distance from the edge of door to the edge of the cup hole
- A** = gap between door and sidepanel



SOFT CLOSE MINI GLASS DOOR HINGE Ø 26 MM - 95°

- high quality furniture fittings


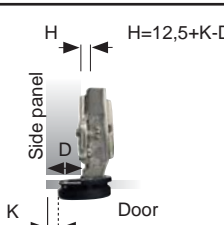

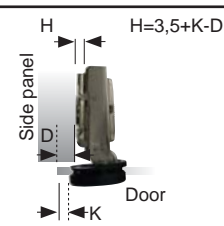

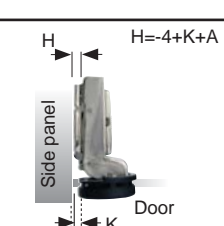

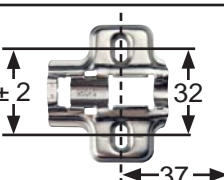

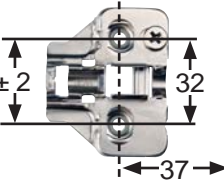






Cup drawing



Opening angle: 95°
 Depth of hinge cup: 10,6 mm
 Diameter of hinge cup: 26 mm
 Possible drilling distances on the glass door (K): 4-7 mm
 Glass door thickness: 4-6 mm



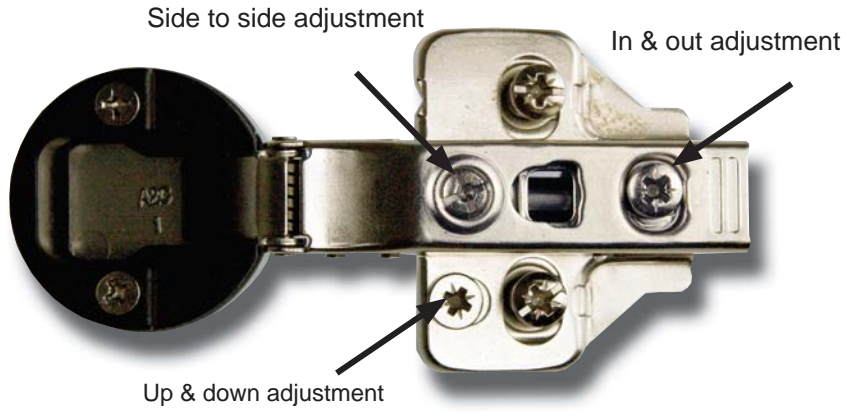
Steel - Nickel Plated		Item No.	D: Overlay calculations	A: Gap calculations																		
Full overlay (A) 		15.01.720 Incl. SISO name plate + mounting plate H = 0	<table border="1"> <tr> <th>D \ K</th> <th>3</th> <th>4</th> <th>5</th> </tr> <tr> <th>0</th> <td>15,5</td> <td>16,5</td> <td>17,5</td> </tr> <tr> <th>2</th> <td>13,5</td> <td>14,5</td> <td>15,5</td> </tr> <tr> <th>4</th> <td>11,5</td> <td>12,5</td> <td>13,5</td> </tr> </table>	D \ K	3	4	5	0	15,5	16,5	17,5	2	13,5	14,5	15,5	4	11,5	12,5	13,5			
D \ K	3	4	5																			
0	15,5	16,5	17,5																			
2	13,5	14,5	15,5																			
4	11,5	12,5	13,5																			
Half overlay (B) 		15.01.721 Incl. SISO name plate + mounting plate H = 0	<table border="1"> <tr> <th>D \ K</th> <th>3</th> <th>4</th> <th>5</th> </tr> <tr> <th>0</th> <td>6,5</td> <td>7,5</td> <td>8,5</td> </tr> <tr> <th>2</th> <td>4,5</td> <td>5,5</td> <td>6,5</td> </tr> <tr> <th>4</th> <td>2,5</td> <td>3,5</td> <td>4,5</td> </tr> </table>	D \ K	3	4	5	0	6,5	7,5	8,5	2	4,5	5,5	6,5	4	2,5	3,5	4,5			
D \ K	3	4	5																			
0	6,5	7,5	8,5																			
2	4,5	5,5	6,5																			
4	2,5	3,5	4,5																			
Inset (C) 		15.01.722 Incl. SISO name plate + mounting plate H = 0	<table border="1"> <tr> <th>A \ K</th> <th>3</th> <th>4</th> <th>5</th> </tr> <tr> <th>0</th> <td>1</td> <td>0</td> <td>-1</td> </tr> <tr> <th>2</th> <td>3</td> <td>2</td> <td>1</td> </tr> </table>	A \ K	3	4	5	0	1	0	-1	2	3	2	1							
A \ K	3	4	5																			
0	1	0	-1																			
2	3	2	1																			
		H = 0 f/chipboard screws Clip-on	Delivered as standard mounting plate with all hinges. Chipboard screws to be ordered separately.																			
		15.03.728-0 H = 0 f/euro screws Clip-on	To be ordered separately if easy up & down adjustment is wanted. Pre-mounted euro screws included.																			
																						
15.01.830 , ABS Chrome plated cover	15.01.831 , ABS Alu plated cover	15.01.820 , ABS Chrome plated cover	15.01.821 , ABS Alu plated cover																			

SOFT CLOSE MAXI GLASS DOOR HINGE Ø 35 MM -100°

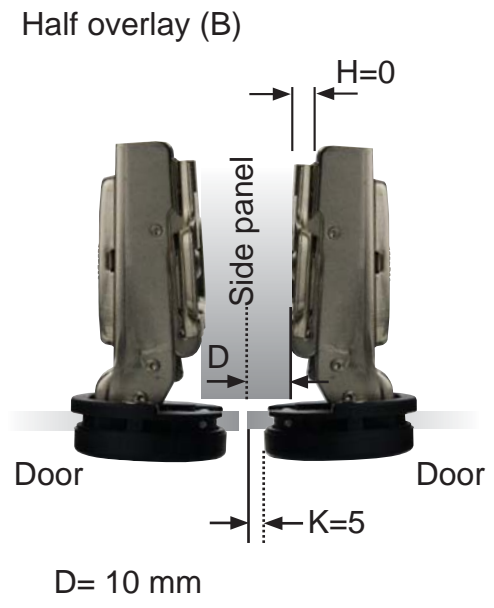


Standard model

Hinge w/mounting plate f/easy up & down adjustment (optional)



- H = height of mounting plate
- D = required door overlay
- K = drilling distance from the edge of door to the edge of the cup hole
- A = gap between door and sidepanel



SOFT CLOSE MAXI GLASS DOOR HINGE Ø 35 MM -100°

- high quality furniture fittings


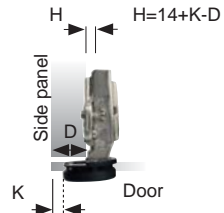

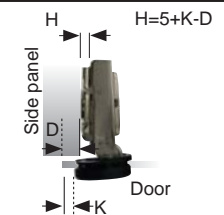

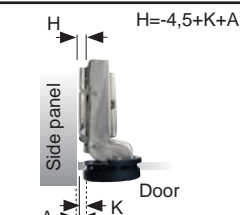

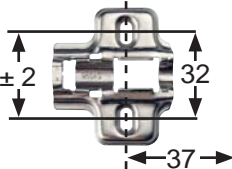

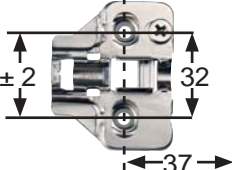






Cup drawing



Opening angle: 100°
 Depth of hinge cup: 11,3 mm
 Diameter of hinge cup: 35 mm
 Possible drilling distances on the glass door (K): 4-8 mm
 Glass door thickness: 4-6 mm



Steel - Nickel Plated		Item No.	D: Overlay calculations	A: Gap calculations																												
Full overlay (A) 		15.01.715 Incl. SISO name plate + mounting plate H = 0	<table border="1"> <tr> <th>D \ K</th> <th>3</th> <th>4</th> <th>5</th> <th>6</th> <th>7</th> </tr> <tr> <th>0</th> <td>17</td> <td>18</td> <td>19</td> <td>20</td> <td>21</td> </tr> <tr> <th>2</th> <td>15</td> <td>16</td> <td>17</td> <td>18</td> <td>19</td> </tr> <tr> <th>4</th> <td>13</td> <td>14</td> <td>15</td> <td>16</td> <td>17</td> </tr> </table>	D \ K	3	4	5	6	7	0	17	18	19	20	21	2	15	16	17	18	19	4	13	14	15	16	17					
D \ K	3	4	5	6	7																											
0	17	18	19	20	21																											
2	15	16	17	18	19																											
4	13	14	15	16	17																											
Half overlay (B) 		15.01.716 Incl. SISO name plate + mounting plate H = 0	<table border="1"> <tr> <th>D \ K</th> <th>3</th> <th>4</th> <th>5</th> <th>6</th> <th>7</th> </tr> <tr> <th>0</th> <td>8</td> <td>9</td> <td>10</td> <td>11</td> <td>12</td> </tr> <tr> <th>2</th> <td>6</td> <td>7</td> <td>8</td> <td>9</td> <td>10</td> </tr> <tr> <th>4</th> <td>4</td> <td>5</td> <td>6</td> <td>7</td> <td>8</td> </tr> </table>	D \ K	3	4	5	6	7	0	8	9	10	11	12	2	6	7	8	9	10	4	4	5	6	7	8					
D \ K	3	4	5	6	7																											
0	8	9	10	11	12																											
2	6	7	8	9	10																											
4	4	5	6	7	8																											
Inset (C) 		15.01.717 Incl. SISO name plate + mounting plate H = 0	<table border="1"> <tr> <th>A \ K</th> <th>3</th> <th>4</th> <th>5</th> <th>6</th> <th>7</th> </tr> <tr> <th>0</th> <td>1,5</td> <td>0,5</td> <td>0,5</td> <td>-1,5</td> <td>-2,5</td> </tr> <tr> <th>2</th> <td>3,5</td> <td>2,5</td> <td>1,5</td> <td>0,5</td> <td>-0,5</td> </tr> <tr> <th>4</th> <td>5,5</td> <td>4,5</td> <td>3,5</td> <td>2,5</td> <td>1,5</td> </tr> </table>	A \ K	3	4	5	6	7	0	1,5	0,5	0,5	-1,5	-2,5	2	3,5	2,5	1,5	0,5	-0,5	4	5,5	4,5	3,5	2,5	1,5					
A \ K	3	4	5	6	7																											
0	1,5	0,5	0,5	-1,5	-2,5																											
2	3,5	2,5	1,5	0,5	-0,5																											
4	5,5	4,5	3,5	2,5	1,5																											
		H = 0 f/chipboard screws Clip-on	Delivered as standard mounting plate with all hinges. Chipboard screws to be ordered separately.																													
		15.03.728-0 H = 0 f/euro screws Clip-on	To be ordered separately if easy up & down adjustment is wanted. Pre-mounted euro screws included.																													
																																
15.01.810 , ABS Chrome plated cover	15.01.811 , ABS Alu plated cover	15.01.800 , ABS Chrome plated cover	15.01.801 , ABS Alu plated cover																													

GLASS DOOR HINGE „NICE“

MODEL „NICE“

Finish

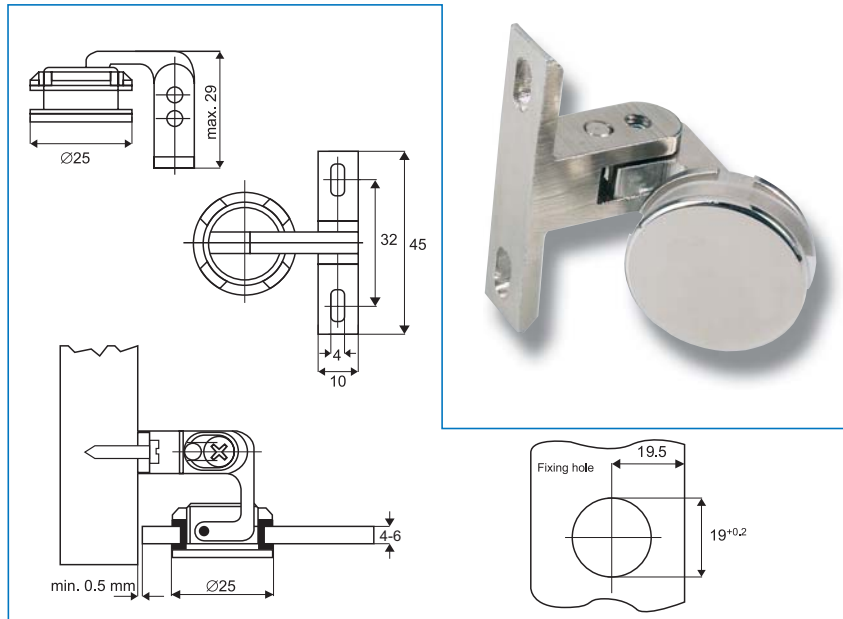
Chrome plated w/catch # 15.06.450
 Chrome plated no catch # 15.06.455

Material

Solid brass polished
 Brass chrome bright

Mounting

Inset doors 4-6 mm thickness
 without catch
 Opening angle: 105°
 universal top or bottom
 height can be adjusted
 Drill size 19 mm diam.



GLASS DOOR HINGE „ELEGANT“

MODEL „ELEGANT“

Material

Natural brass

Finish

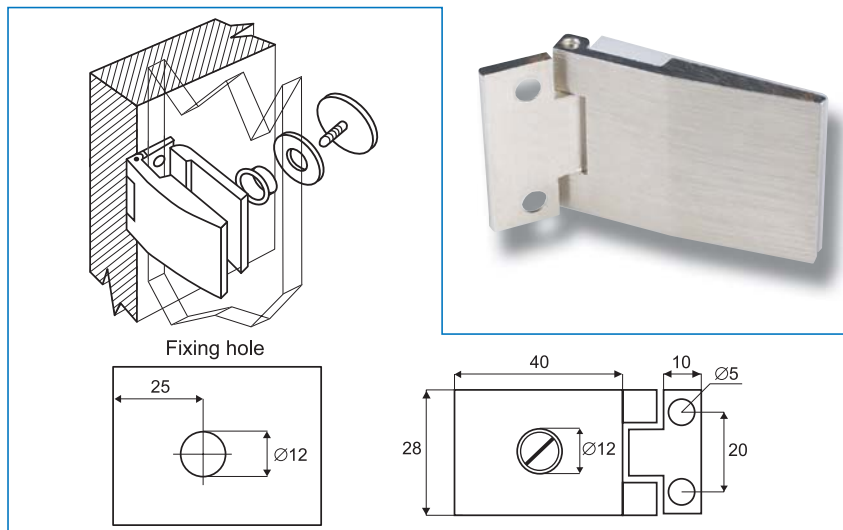
Brushed natural brass # 15.06.460
 Brushed nickel # 15.06.461

Mounting

Inset doors 6 mm thickness
 Opening 270°
 Drill size 12 mm

Packing

40 pcs



GLASS DOOR HINGE „GRACE“ SS304 FOR WOOD/GLASS

MODEL „GRACE“

Mounting: Glass: ø 10 mm boring holes
 Wood: 7 x 4 mm screw holes

Material: Stainless steel 304 - polished

Hinge size: 52 x 31 x 13 mm (H/W/D)

Glass thickness: 5 - 8 mm

Max door size: 650 x 900 mm

Max door weight: 6 kg per hinge

Function: Inset or half-overlay
 Opening 180°

Inset: # 15.06.470

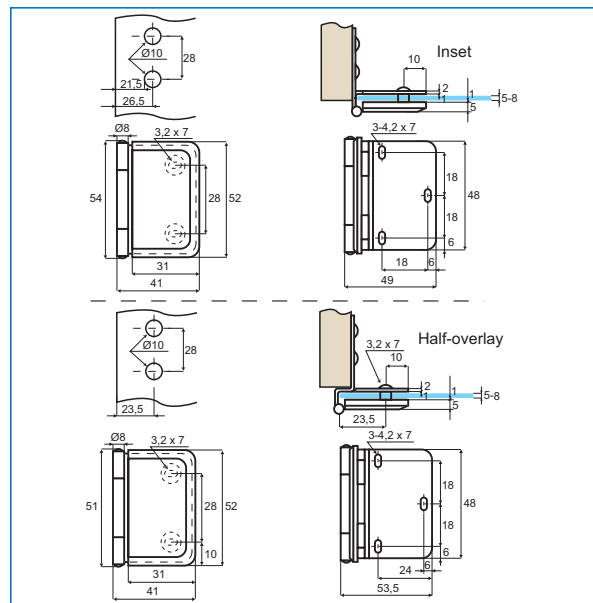
Half-overlay: # 15.06.471

Each hinge is supplied with 2 white cushions 1 mm thickness

Inset



Half-overlay



GLASS DOOR HINGE "SOFIA" GLASS TO GLASS 180°

- high quality furniture fittings



Application:

Suitable for glass door
Drilling/cutting required

Opening: 180°

Glass thickness: 6 mm

Material: Brass

1 hinge consists of:

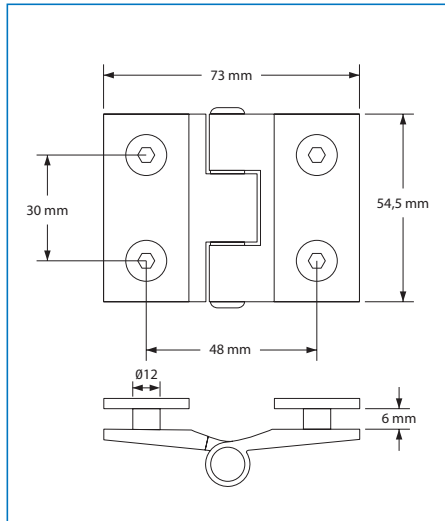
- 1 hinge 54,5 x 73 mm
- 4 transparent cushions 1 mm thickness
- 4 transparent tubes $\varnothing 12$ mm
- 1 L-shaped hex key 4 mm

Finish:

Chrome plated # 15.23.050

Packing:

20 pcs per carton



GLASS DOOR HINGE „ROME“ GLASS TO GLASS 180°

Application:

Suitable for glass door
Drilling/cutting required

Opening: 180°

Glass thickness: 6 - 8 mm

Material: Brass

1 hinge consists of:

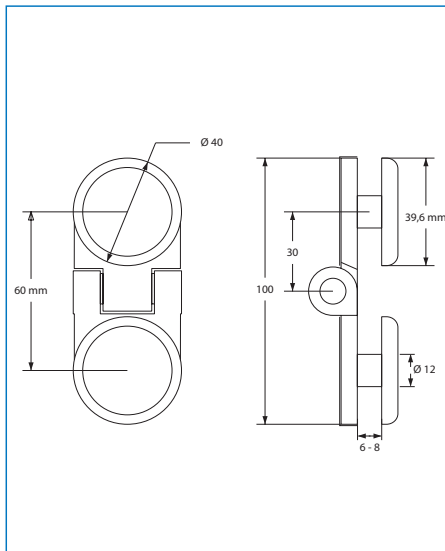
- 1 hinge 100 x 40 mm
- 4 transparent cushions 1 mm thickness
- 2 transparent tubes $\varnothing 12$ mm
- 1 L-shaped hex key 4 mm

Finish:

Chrome plated # 15.23.055

Packing:

20 pcs per carton



GLASS CLAMP „ROME“ WALL TO GLASS 90°

Application:

Suitable for glass door
Drilling/cutting required

Angle: 90°

Glass thickness: 6 - 8 mm

Material: Brass

1 clamp consists of:

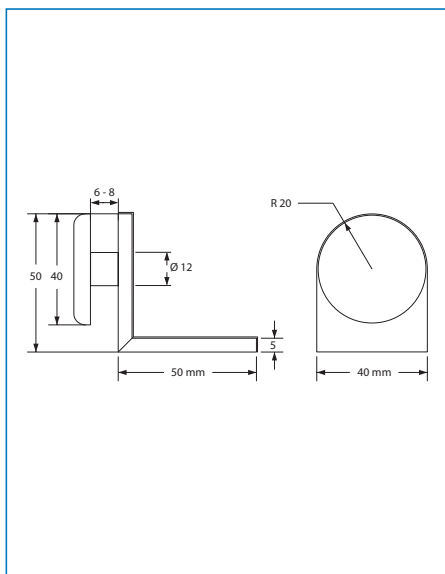
- 1 clamp 50 x 50 mm
- 2 transparent cushions 1 mm thickness
- 1 transparent tubes $\varnothing 12$ mm
- 2 cover caps
- 1 L-shaped hex key 4 mm
- 1 wall plug
- 1 wall mounting screw

Finish:

Chrome plated # 15.23.770

Packing:

20 pcs per carton



GLASS DOOR HINGE „BOSCH“ GLASS/GLASS

Model „BOSCH“

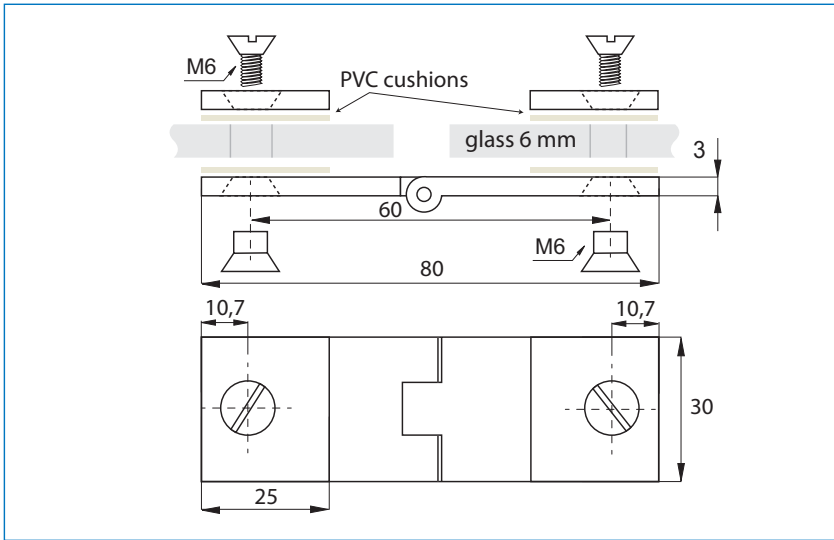
Material
3 mm brass

Hinge size: 30 x 80 mm (H/W)

Function
Inset or overlay doors

Glass thickness: 6 mm
Opening angle: 270°
Drilling: ø11 mm

Finish
Chrome plated # 15.06.500



GLASS DOOR HINGE “BOSCH” WALL/GLASS

MODEL “BOSCH” F/WALL TO GLASS

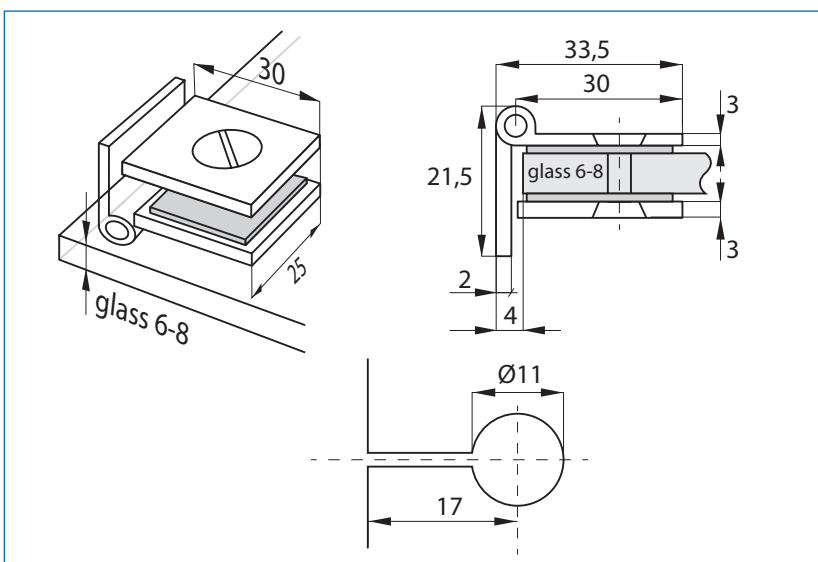
Material
Brass, Chrome plated

Size
Hinge: 25 x 30 mm (H/W)
Mounting plate: 25 x 12 mm (H/W)

Function
Inset doors

Glass thickness: 6 - 8 mm
Drilling: ø11 mm

Finish
Chrome plated # 15.06.520



BRASS GLASS DOOR HINGE „SWAN“ F/6-8 MM GLASS

- high quality furniture fittings



MODEL „SWAN“

Finish

Gold plated # 15.30.000
Chrome plated # 15.30.001

Material

Brass

Consists of

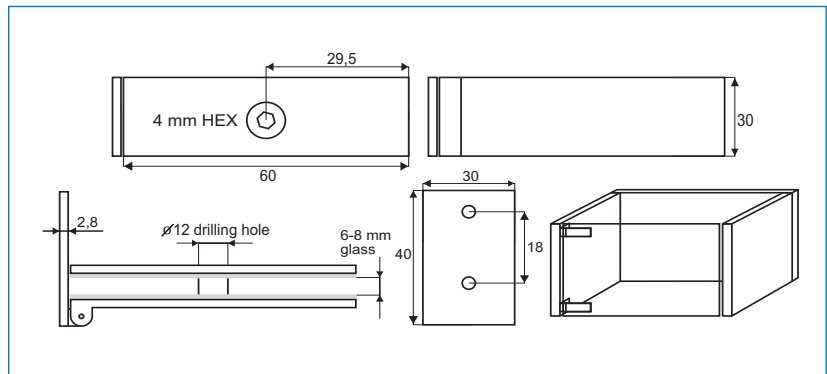
1 hinge 60 x 30 mm
2 cork cushions
1 brass screw M6 x 10 mm, 4 mm hex

Function

Inset doors, max 6-8 mm glass thickness
Max door size 1400 x 700 mm
ø12 mm drilling hole
Opening angle 90°

Packing

200 pcs per export carton



LIFT-OFF BUTT HINGE SS304 FOR UV-GLUE

Mounting: By UV-glue B 682-0 from Bohle.
UV-lamp is needed

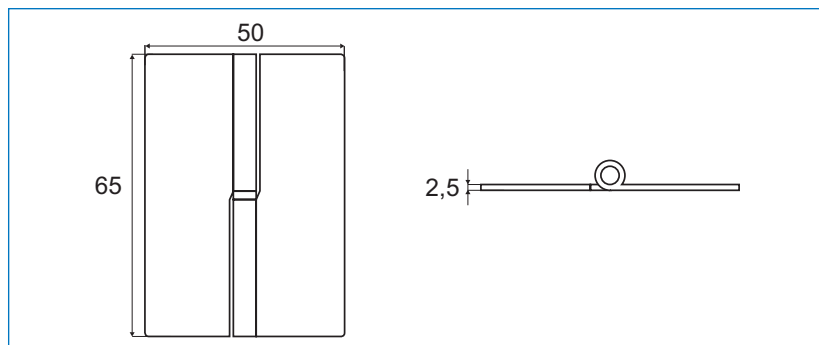
Material: 2,5 mm stainless steel 304 - polished

Hinge size: 65 X 50 mm (H/W)

Function: Inset doors
Max door width 500 mm
Load capacity: 7,5 KG per pair
Opening angle 270°
Glass thickness: 4-8 mm

Right hand: # 15.13.590

Left hand: # 15.13.600



BUTT HINGE SS304 FOR UV-GLUE

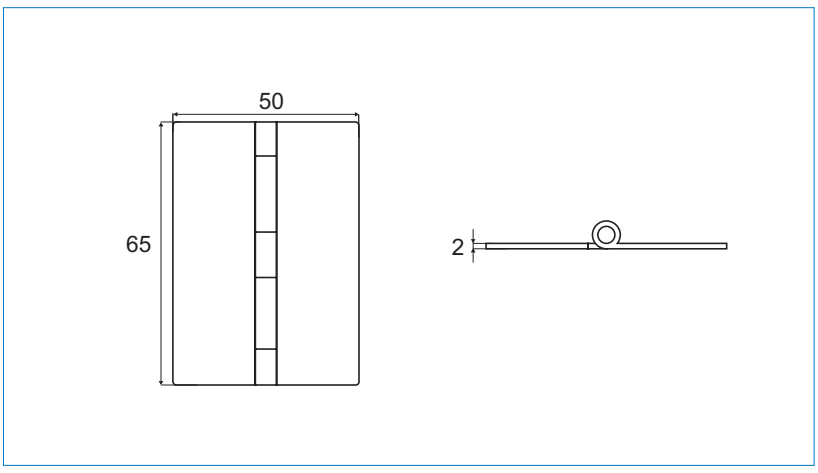
Mounting: By UV-glue B 682-0 from Bohle.
UV-lamp is needed

Material: 2 mm stainless steel 304 - polished

Hinge size: 65 x 50 mm (H/W)

Function: Inset doors
Max door width 500 mm
Load capacity: 7,5 KG per pair
Opening angle 270°
Glass thickness: 4-8 mm

Item No: # 15.13.105



GLASS DOOR HINGE BRASS FOR UV-GLUE

Mounting: By UV-glue B 682-0 from Bohle
UV-lamp is needed

Material: 2,9 mm Brass - Chrome Plated

Hinge size: 60 x 60 mm (H/W)

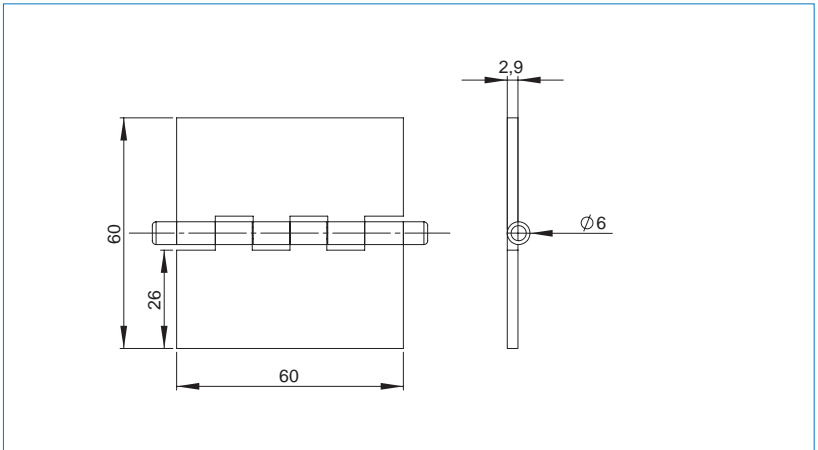
Function: Inset doors
Max door width 500 mm

Load Capacity: 7,5 Kg per pair

Opening: 270°

Glass thickness: 4-8 mm

Finish: Chrome Plated (CPL) # 15.13.110
SS-Look (nickel brushed) # 15.13.111



PIVOT HINGE FOR UV GLUE, SS-304

- high quality furniture fittings



Description:

Pivot hinge for UV-glue, max 12 mm glass thickness, max load cap. 10 kg per pair.

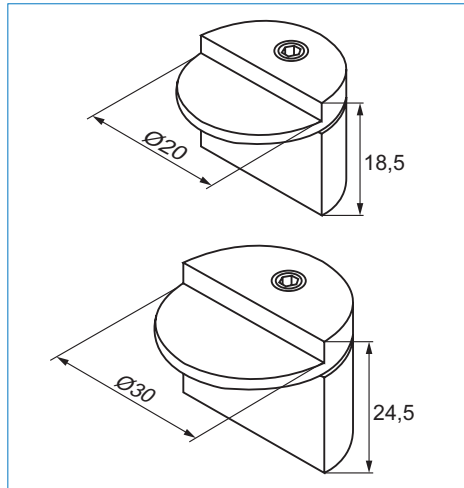
A threaded pin in the hinge allows the door to be removed after gluing.

Finish:

Brushed SS-304

Item No:

Pivot Hinge \varnothing 20 mm # 15.06.015
 Pivot Hinge \varnothing 30 mm # 15.06.016



PIVOT HINGE FOR UV GLUE, SS-304

Description:

Pivot hinge for UV-glue, 6-10 mm glass thickness, 180°, max load cap. 5 kg per hinge.

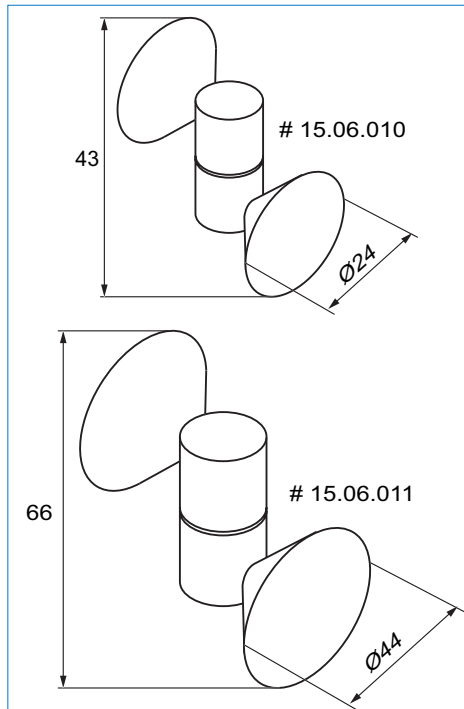
For the door a lateral overhang of at least 28 mm must be considered on the cabinet.

Finish:

Brushed SS-304

Item No:

Pivot Hinge \varnothing 24 mm # 15.06.010
 Pivot Hinge \varnothing 44 mm # 15.06.011



MAGNETIC CATCH FOR UV GLUE, SS-304

Description:

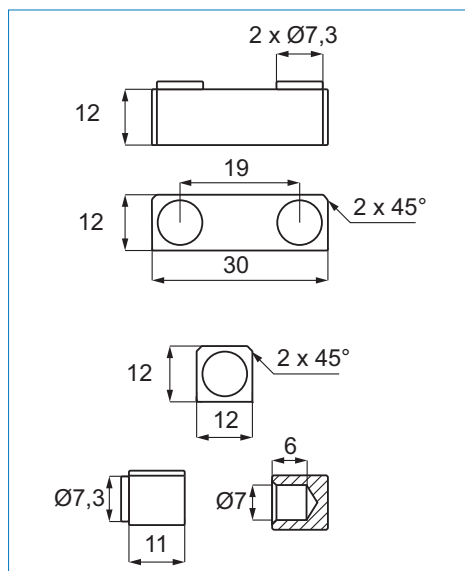
Magnetic catch for UV glue, magnetic locking-force 2 kg.

Finish:

Brushed SS-304

Item No:

Magnetic catch 30x12x12 mm # 22.01.140
 Magnetic catch 11x12x12 mm # 22.01.145



GLASS DOOR HINGE 11.300 - NO DRILLING

MODEL
No. 11.300 inset doors

Material: Steel
 Chrome plated # 15.06.036
 Brass plated # 15.06.035
 Black anodized # 15.06.037
 Alu finish # 15.06.038

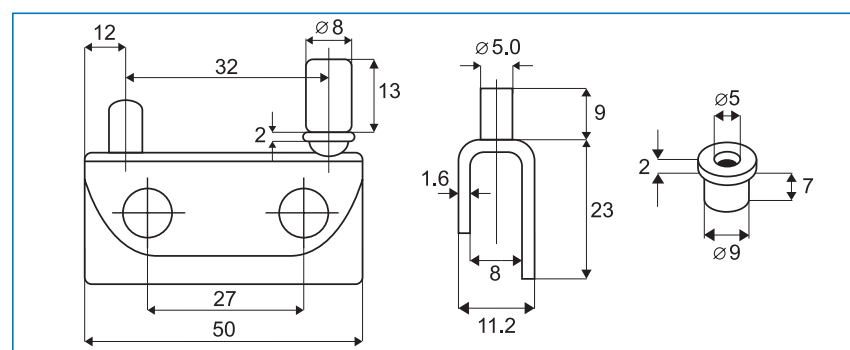
Mounting: Top + Bottom
 Inset Doors, max 4-6 mm
 Complete with nylon bushings

Front plate:
 Size: 50 x 23 mm - polished

Matching handle:
 See page 31

Packing:
 Each pair (Right + Left) is packed in a polybag complete with bushings & steel screws w/soft tip

BALL CATCH # 15.06.076
 Material: Brass
 Size: Ø 8 mm x 13 mm
 Optional, to be ordered separately



GLASS DOOR HINGE 11.561 - NO DRILLING

MODEL
No. 11.561 inset doors

Material: Steel
 Chrome plated # 15.06.096
 Black anodized # 15.06.095
 Alu finish # 15.06.098

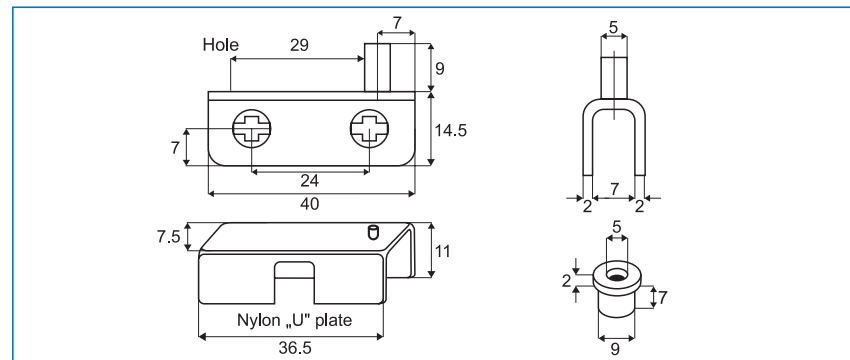
Mounting: Top + Bottom
 Inset Doors, max 5 mm
 Complete with nylon bushings & sleeve

Front plate:
 Size: 40 x 15 mm - polished

Matching handle:
 See page 31

Packing:
 Each pair (Right + Left) is packed in a polybag complete with bushings & sleeves.
 500 pairs per box

BALL CATCH # 15.06.076
 Material: Brass
 Size: Ø 8 mm x 13 mm
 Optional, to be ordered separately



GLASS PIVOT HINGE „STAINLESS STEEL“ - NO DRILLING

- high quality furniture fittings

SISO
DENMARK

MODEL „SMALL“

Mounting:

Inset doors. Complete with brass bushings & soft tip screws

Material:

2 mm stainless steel, polished

Hinge size: 42 x 20 x 13 mm (W/H/D)

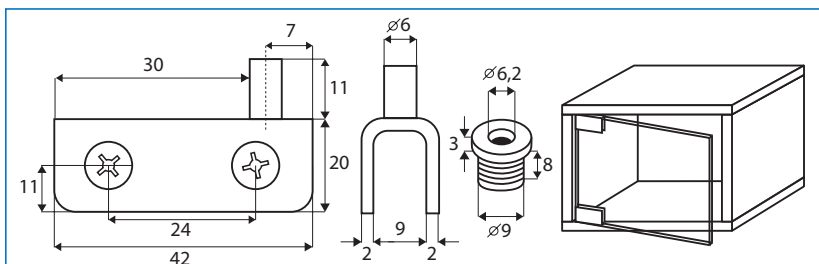
Bushing size: $\varnothing 9 \times 8$ mm

Glass thickness: 6 mm

Item No. # 15.06.060

Packing:

70 pairs per carton



MODEL „MEDIUM“

Mounting:

Inset doors. Complete with brass bushings & soft tip screws

Material:

2 mm stainless steel, polished

Hinge size: 52 x 26 x 16 mm (W/H/D)

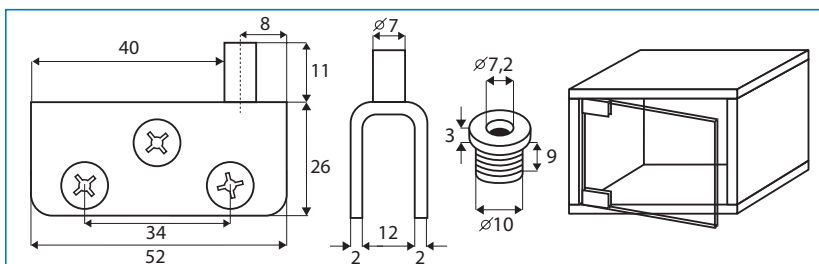
Bushing size: $\varnothing 10 \times 9$ mm

Glass thickness: 8 mm

Item No. # 15.06.062

Packing:

70 pairs per carton



MODEL „LARGE“

Mounting:

Inset doors. Complete with brass bushings & soft tip screws

Material:

2 mm stainless steel, polished

Hinge size: 71 x 35 x 17 mm (W/H/D)

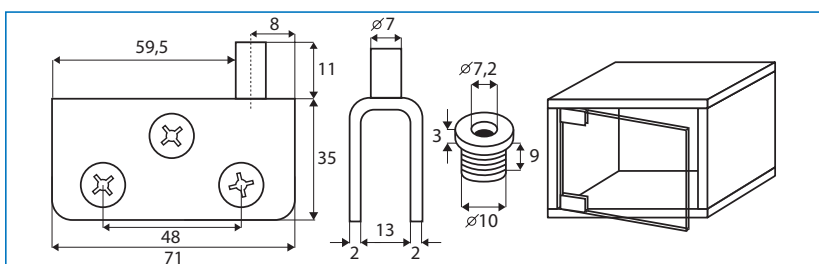
Bushing size: $\varnothing 10 \times 9$ mm

Glass thickness: 10 mm

Item No. # 15.06.064

Packing:

70 pairs per carton



GLASS PIVOT HINGE „BRASS“ - NO DRILLING

Mounting: Inset doors. Complete with brass bushings & soft tip screws

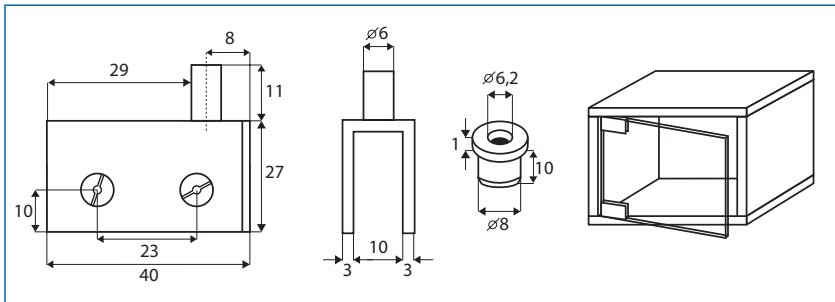
Material: 3 mm brass

Hinge size: 42 x 27 x 16 mm (W/H/D)

Bushing size: Ø 8 x 11 mm

Glass thickness: 4 - 8 mm

Chrome plated # 15.06.070
Alu finish # 15.06.071



GLASS DOOR HINGE A-11 - NO DRILLING

MODEL NO. A-11 w/Catch inset doors

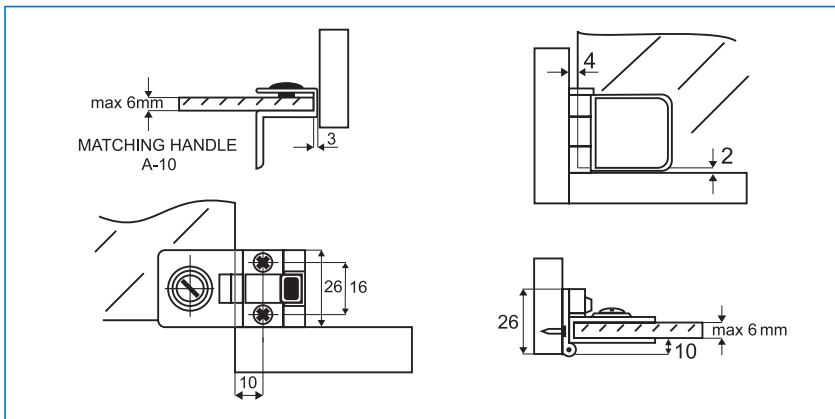
Material: Zamak
Chrome plated # 15.06.126
Brass plated # 15.06.120
Black anodized # 15.06.127

Mounting: Inset doors, max 5-6 mm
Side fixation

Front plate: Size: 25 x 25 mm - framed & sparkled

Matching handle: # A-10

Packing: Each pair (Right + Left) incl. pads/cushions is packed in a polybag
200 pairs per box



GLASS DOOR HINGE 11.100 - NO DRILLING

- high quality furniture fittings



MODEL w/Catch
NO. 11.100 inset doors

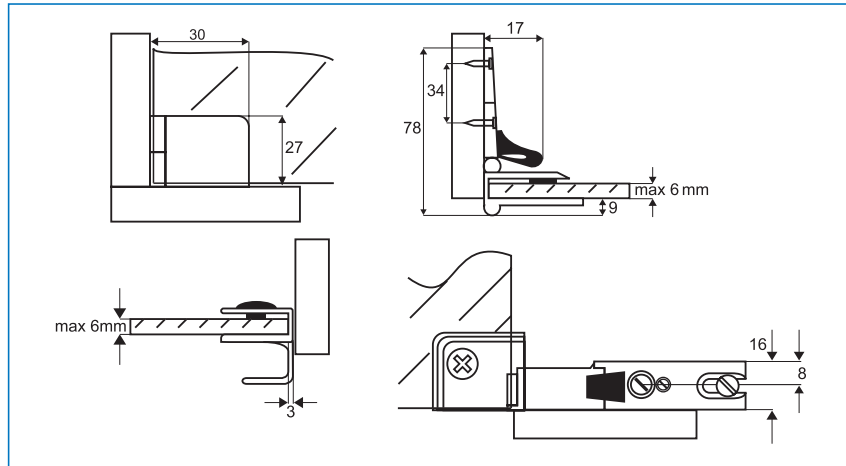
Material: Zamak
Chrome plated # 15.06.025

Mounting: Side fixation
Inset doors, max 4-6 mm
Max door size: 800 x 350 mm
- 4 kilos

Front plate:
Size: 27 x 23 mm, sparkled

Matching handle:
11.200

Packing:
Each pair (Right + Left)
incl. pads/cushions is packed
in a polybag
40 pairs per box
200 pairs per export carton



GLASS DOOR HINGE D-13/2 - NO DRILLING

MODEL w/Catch
NO. D 13/2 inset doors

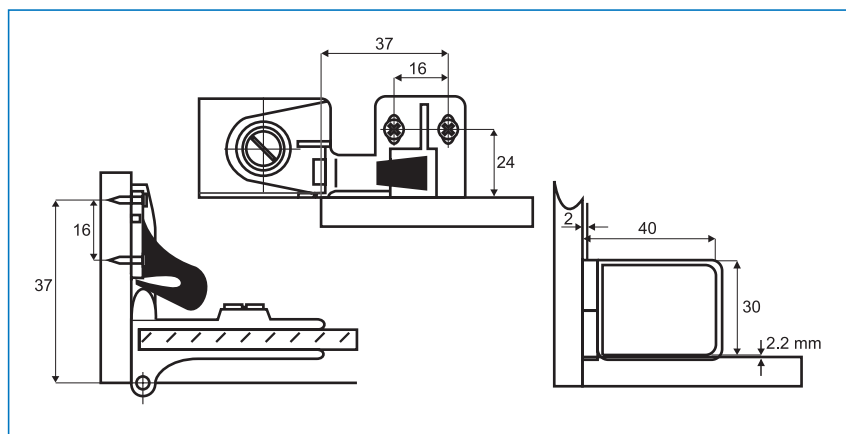
Material: Zamak
Chrome plated # 15.06.102
Bronze plated # 15.06.103
Black anodized # 15.06.105

Mounting:
Inset doors, max 5 mm
Max door size 1000 x 600 mm

Front plate:
Size 40 x 30 mm
sparkled

Maching handle:
D-12, D-12/2, D-120

Packing:
Each pair (right + left) incl. pads/cushions
is packed in a polybag
50 pairs per box
200 pairs per export carton



GLASS DOOR HINGE D-16 - NO DRILLING

MODEL D-16 **w/Catch OVERLAY DOORS**

Material Zamak

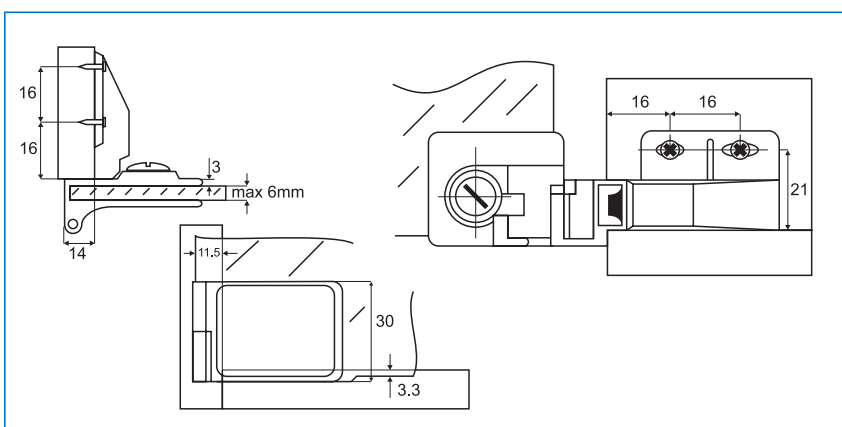
Finish
 Chrome plated # 15.06.415
 Brass plated # 15.06.410
 Black anodized # 15.06.420

Mounting
 Overlay doors, max 5 mm

Front plate
 Size: 40 x 30 mm, sparkled

Matching handle
 # D-12, D-12/2 & D-120

Packing
 Each pair (Right + Left)
 incl. pads/cushions is packed
 in a polybag
 150 pairs per box



GLASS DOOR HINGE C-13 CENTER - NO DRILLING

MODEL C-13 **w/Catch INSET DOORS**

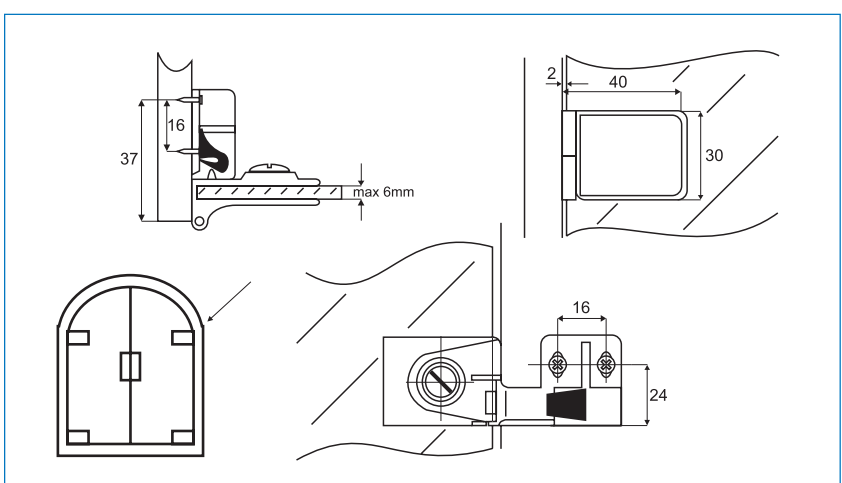
Material Zamak L/R
 Chrome plated # 15.06.311/321
 Brass plated # 15.06.310/320
 Bronze plated # 15.06.312/322
 Black anodized # 15.06.313/323

Mounting
 Inset doors, max 5 mm
 Centre- or Top fixation for rounded doors

Front plate
 Size: 40 x 30 mm - framed & sparkled

Matching handle
 # D-12, D-12/2 & D-120

Packing
 100 pairs per box
 400 pairs per export carton



GLASS DOOR PULL F/SLIDING DOORS

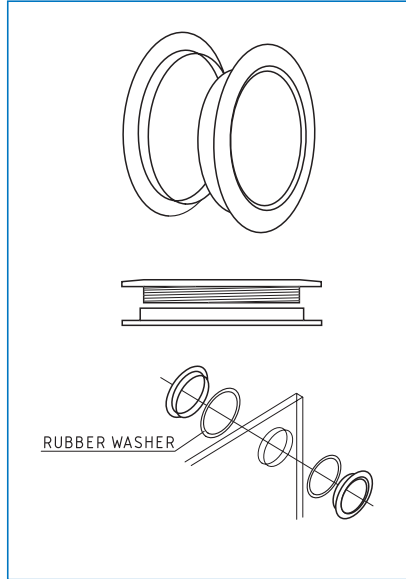
- high quality furniture fittings

GLASS DOOR PULL FOR SLIDING DOORS

Material: Brass
Ø30 x 9 mm - bore Ø 26 mm
Finish
 Chrome plated # 17.40.100
 Alu finish # 17.40.101
 Mat nickel # 17.40.102
 Polish brass # 17.40.103
 Satin brass # 17.40.104

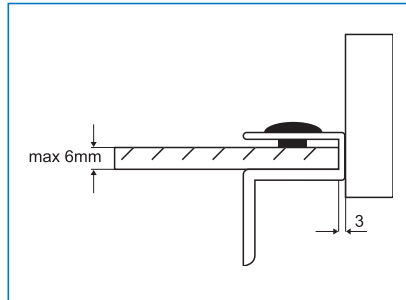
Material: Brass
Ø43 x 9 mm - bore Ø 35 mm
Finish
 Chrome plated # 17.40.110
 Alu finish # 17.40.111
 Matt nickel # 17.40.112

For glass thickness 4 - 8 mm

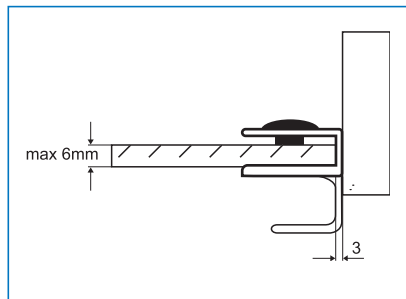


GLASS DOOR HANDLE - NO DRILLING

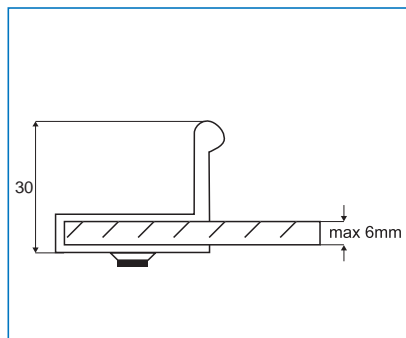
MODEL w/Clamp Screw
A-10 SINGLE DOOR
Material: Zamak
 Chrome plated # 17.40.032
 Brass plated # 17.40.030
 Black anodized # 17.40.031
Packing:
 500 pcs per export carton



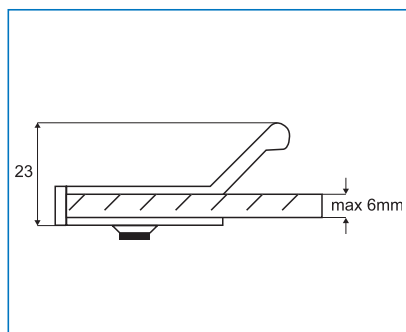
MODEL w/Clamp Screw
11-200 SINGLE DOOR
Material: Zamak
 Chrome plated # 17.40.011
Packing:
 500 pcs per box



MODEL w/Clamp Screw
D-12/2 SINGLE DOOR
Material: Zamak
 Chrome plated # 17.40.018
 Black anodized # 17.40.017
Finish: Sparkled
Packing:
 50 pcs per box
 400 pcs per export carton



MODEL w/Clamp Screw
D-120 DOUBLE DOORS
Material: Zamak
 Chrome plated # 17.40.041
 Brass plated # 17.40.040
 Bronze plated # 17.40.042
 Black anodized # 17.40.046
Finish: Sparkled
Packing:
 50 pcs per box
 400 pcs per export carton



MIRROR MOVEMENT NO. 88

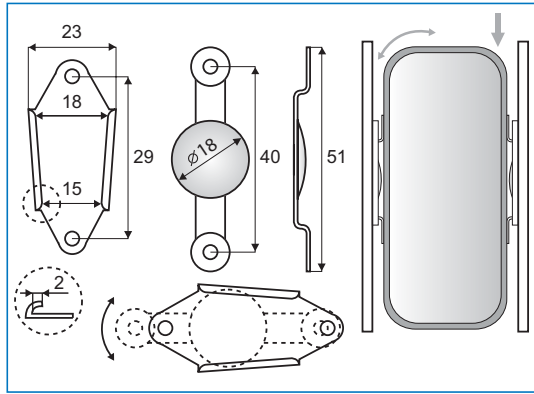
Application
For turnable mirrors w/wood frame

Material
Steel

Screw holes $\varnothing 4$ mm

Finish
Brass plated # 22.05.050
Bronze plated # 22.05.051
Nickel plated # 22.05.052

Packing: 200 sets per carton



MIRROR OR GLASS CLIP

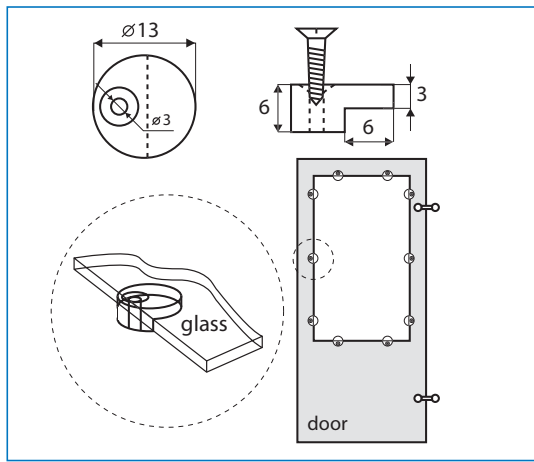
Application
For safe mounting of mirrors or other glass panels of 4 mm thickness

Material
Plastic transparent

Screw holes $\varnothing 3$ mm

Item No. # 22.05.200

Option
also available for other glass thickness upon special request or inquiry. Other colour available.



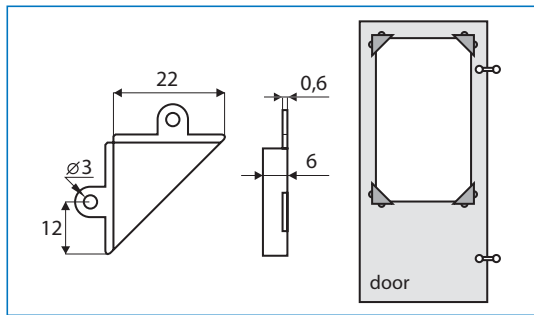
SHALLOW MIRROR CORNERS

Application
For mounting of mirrors

Material
Steel

Size: 22 x 22 mm

Item No.:
Nickel plated # 22.05.070
Brass plated # 22.05.071



MIRROR CLIPS W/SPRING

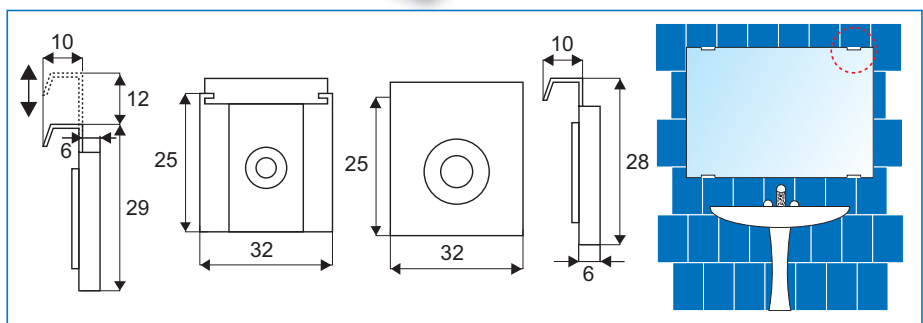
Application
Fixing of mirrors.
No drilling in glass required

Consists of
2 spring loaded top clips & 2 fixed bottom clips

Glass thickness
5 mm
Screw holes $\varnothing 5$ mm

Finish
Steel, nickel plated # 22.05.100
Stainless steel 304 # 22.05.105

Packing
400 sets per carton
W/screws and wall plugs



SIGNBOARD SCREWS „ALU“

- high quality furniture fittings

Application

Mounting of signboards, mirrors etc.

Material

Aluminium

Mounting

∅ 4 mm screw hole

∅ 13 x 13 mm

Panel thickness:	2 - 6 mm
Anodized	# 22.11.110
Red	# 22.11.111
Blue	# 22.11.112
Gold	# 22.11.113
Black	# 22.11.114
Alu polished	# 22.11.115

∅ 13 x 19 mm

Panel thickness:	2 - 8 mm
Anodized	# 22.11.120
Red	# 22.11.121
Blue	# 22.11.122
Gold	# 22.11.123
Black	# 22.11.124
Alu polished	# 22.11.125

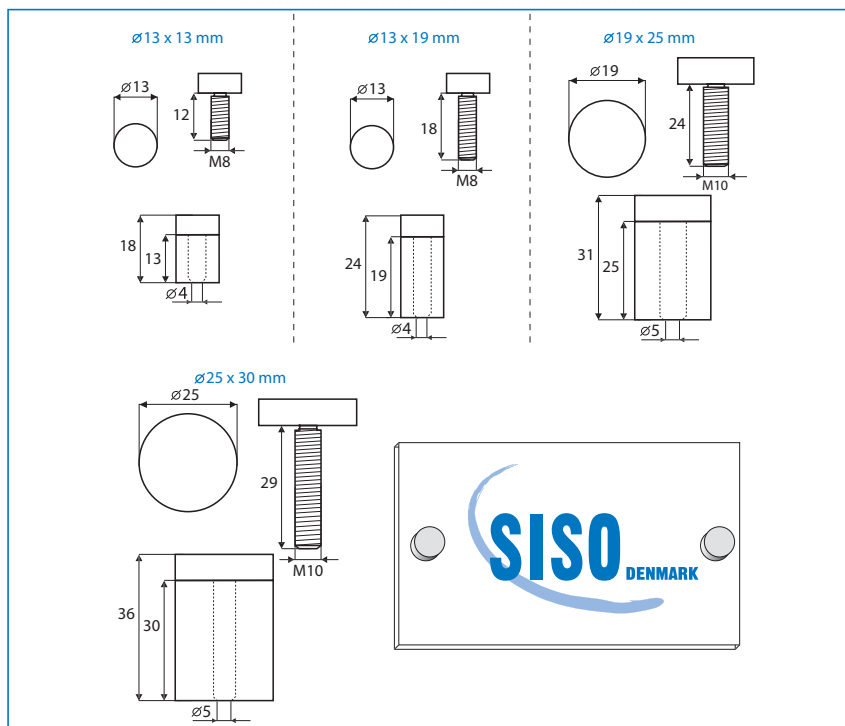
∅ 19 x 25 mm

Panel thickness:	2 - 12 mm
Anodized	# 22.11.130
Red	# 22.11.131
Blue	# 22.11.132
Gold	# 22.11.133
Black	# 22.11.134
Alu polished	# 22.11.135

∅ 25 x 30 mm

Panel thickness:	2 - 12 mm
Anodized	# 22.11.140
Red	# 22.11.141
Blue	# 22.11.142
Gold	# 22.11.143
Black	# 22.11.144
Alu polished	# 22.11.145

All signboard screws are supplied w/2 transparent washers



SIGNBOARD SCREW „SS“ W/CSK HEAD

Application

Mounting of signboards, mirrors etc.

Features

Counter sunk head with snake eyes

Material

Stainless steel 304

Mounting

8 x 14 mm screw hole

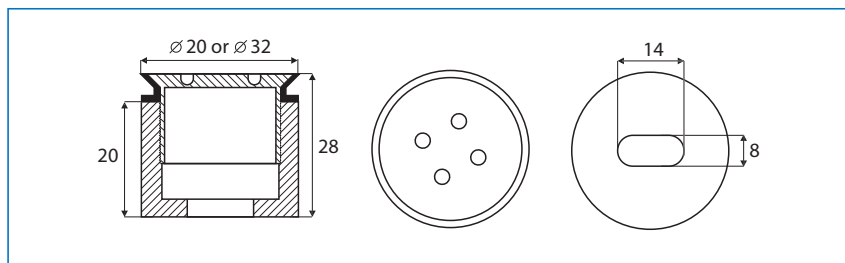
∅ 20 x 28 mm

Panel thickness:	8 - 12 mm
SS 304	# 22.11.150

∅ 32 x 28 mm

Panel thickness:	8 - 12 mm
SS 304	# 22.11.152

All signboard screws are supplied with black plastic washers



SIGNBOARD SCREWS

Application

Mounting of signboards, mirrors etc.

Material

Brass

Mounting

ø4 mm screw hole

ø 13 x 19 mm

Panel thickness: 2 - 10 mm
 Chrome plated # 22.11.000
 SS-look # 22.11.001

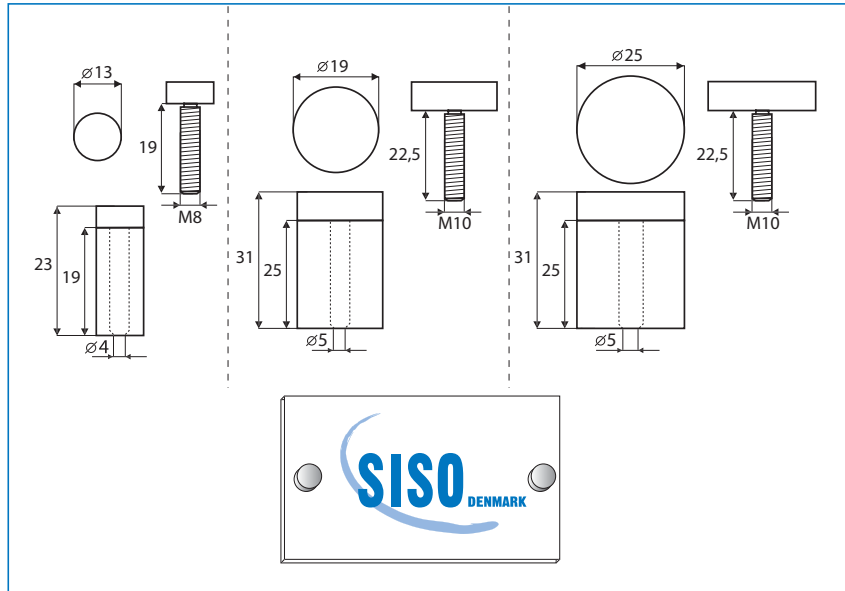
ø 19 x 25 mm

Panel thickness: 2 - 15 mm
 Chrome plated # 22.11.050
 SS-look # 22.11.051

ø 25 x 25 mm

Panel thickness: 2 - 15 mm
 Chrome plated # 22.11.100
 SS-look # 22.11.101

All signboard screws are supplied w/2 transparent washers



SIGNBOARD HOLDERS

Application

Mounting of signboards, mirrors etc.

Material

Brass

Mounting

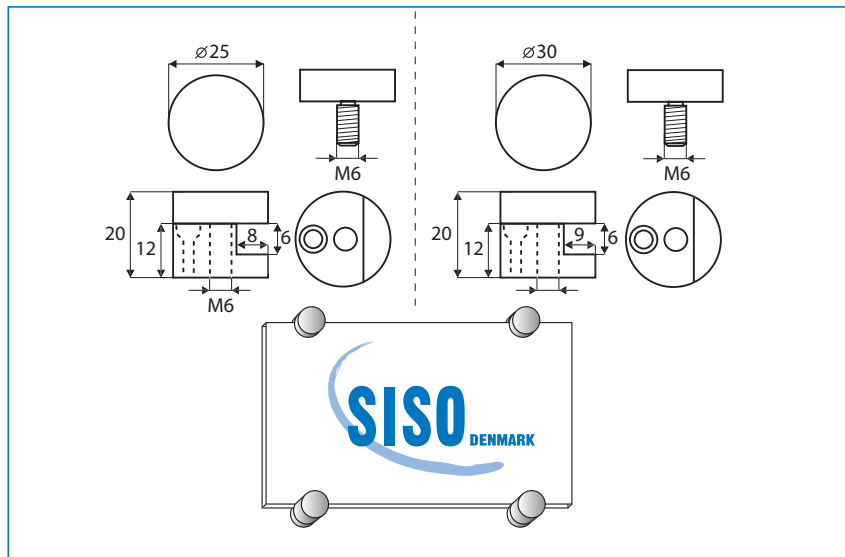
ø4 mm screw hole

ø 25 x 20 mm

Panel thickness: 6 mm
 Chrome plated # 22.11.200
 SS-look # 22.11.201

ø 30 x 20 mm

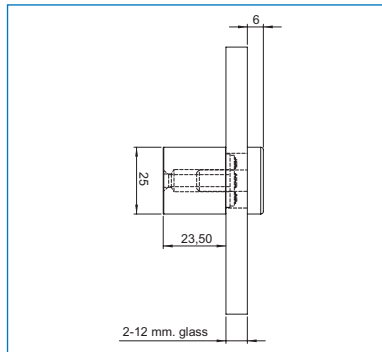
Panel thickness: 6 mm
 Chrome plated # 22.11.210
 SS-look # 22.11.211



ALU SIGN BOARD SCREWS W/LED LIGHT

- high quality furniture fittings

Alu sign board screws w/LED light
 F/ 2- 12 mm glass or acrylic plates
 White or blue light incl. 2 mtr. LED cable
 Transformer with 150 cm cable w/euro-plug
 Size ø 25 x 25 mm.
 Polished chrome or alu-look finish
 In sets of 2 or 4 sign board screws

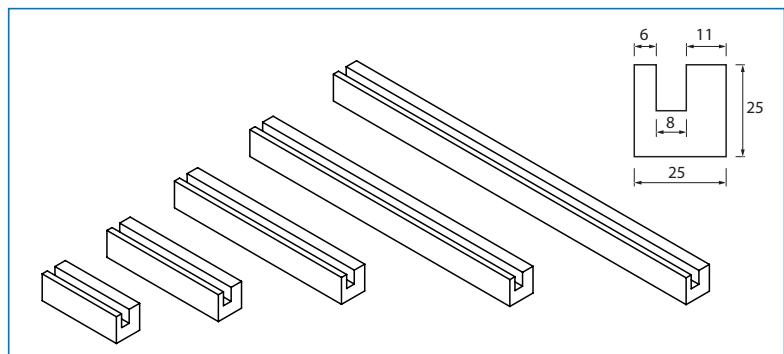


Quantity:	Finish:	Led light:	Item No.:
Set of 2 pieces	Chrome	Blue	# 22.11.316
Set of 2 pieces	Chrome	White	# 22.11.318
Set of 2 pieces	Alu	Blue	# 22.11.321
Set of 2 pieces	Alu	White	# 22.11.323
Set of 4 pieces	Chrome	Blue	# 22.11.331
Set of 4 pieces	Chrome	White	# 22.11.333
Set of 4 pieces	Alu	Blue	# 22.11.336
Set of 4 pieces	Alu	White	# 22.11.338



ALU CLAMPS W/LED LIGHT

Alu clamps w/LED light
 F/ 8mm glass or acrylic plates
 White light incl. 2 mtr. LED cable
 Transformer with 150 cm cable w/euro-plug
 Size from 80 mm to 380 mm.
 Polished chrome or alu-look finish



Size:	Finish:	Led light:	Item No.:
80 mm	Chrome	White	# 22.11.300
80 mm	Alu finish	White	# 22.11.302
120 mm	Chrome	White	# 22.11.303
120 mm	Alu finish	White	# 22.11.305
180 mm	Chrome	White	# 22.11.306
180 mm	Alu finish	White	# 22.11.308
280 mm	Chrome	White	# 22.11.309
280 mm	Alu finish	White	# 22.11.311
380 mm	Chrome	White	# 22.11.312
380 mm	Alu finish	White	# 22.11.313



ALUMINUM SHELF W/LED & GLASS PLATE

Specifications

Tempered frosted 8mm glass plate
 White LED lamps – 6000K
 From 450 to 1200 mm length.
 Complete with 1,5 m cable (no plug)
 Maximum load 3 kg
 Built-in grey on/off switch
 LED driver built into the profile. Input: 200 - 240V, 50 Hz.
 IP20 rated, RoHS complaint & CE certified

Item No.:

450 x 175 x 70 mm	24 SMD LEDs – 2,0w	# 22.02.710
500 x 175 x 70 mm	27 SMD LEDs – 2,2w	# 22.02.711
600 x 175 x 70 mm	33 SMD LEDs – 2,7w	# 22.02.712
900 x 175 x 70 mm	51 SMD LEDs – 4,1w	# 22.02.713
1200 x 175 x 70 mm	69 SMD LEDs – 5,6w	# 22.02.714



ALUMINUM PROFILE WITHOUT LED & GLASS PLATE

Item No.:

450 x 175 x 70 mm	F/8 x 443 mm glass	# 22.02.701
500 x 175 x 70 mm	F/8 x 493 mm glass	# 22.02.702
600 x 175 x 70 mm	F/8 x 593 mm glass	# 22.02.703
900 x 175 x 70 mm	F/8 x 893 mm glass	# 22.02.704
1200 x 175 x 70 mm	F/8 x 1193 mm glass	# 22.02.705



SUCTION PADS & BUMPERS

BUMBER DISCS – SELF ADHESIVE

Material

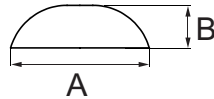
PVC, transparent color

Application

Self adhesive bumpers are the ideal solution to avoid scratching surfaces, prevent objects from skidding or vibrating, cushioning the closing of doors and drawers & equalizing height differences

Tip

Avoid using the bumper discs for at least 24 hours after mounting to guarantee maximum adhesion



Item number	Color	A diameter	B height
# 10.39.010	Transparent	Ø7	1,5 mm
# 10.39.015	Transparent	Ø8	1,6 mm
# 10.39.020	Transparent	Ø10	1,5 mm
# 10.39.030	Transparent	Ø10	3,0 mm
# 10.39.040	Transparent	Ø13	4,0 mm



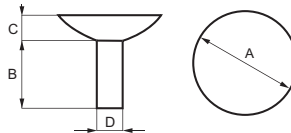
SUCTION PADS W/HOLLOW PIN

Material

PVC, transparent color

Application

For glass table tops
 Hollow pin



Item number	A diameter	B height	C height	D diameter
# 10.38.210	Ø15	10 mm	4 mm	Ø6
# 10.38.220	Ø20	8,5 mm	6,5 mm	Ø6



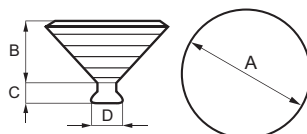
SUCTION PADS W/BALL PIN

Material

PVC, transparent color

Application

For glass table tops
 Ball pin



Item number	A diameter	B height	C height	D diameter
# 10.38.310	Ø20	10 mm	4 mm	Ø6
# 10.38.312	Ø30	13 mm	5 mm	Ø8



STAINLESS STEEL DISCS F/TABLE LEGS F/UV GLUE

- high quality furniture fittings

Description:

To be used with table legs mounted on glass table tops

For legs with M8 bolt

Item No:

- ∅ 38 x 10,5mm # 06.10.064
- ∅ 50 x 10,5mm # 06.10.065
- ∅ 60 x 10,5mm # 06.10.066

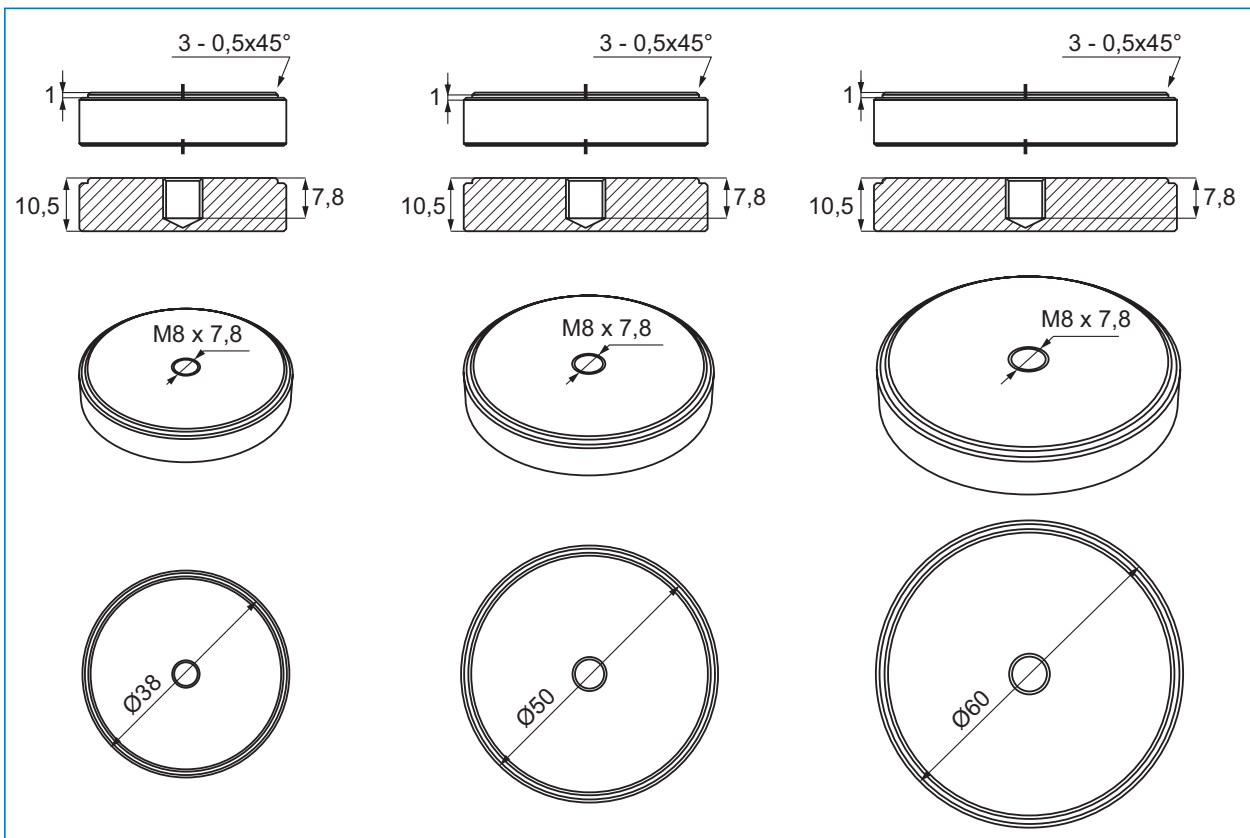


TABLE LEG F/GLASS TABLE TOPS

Application

Table legs for glass table tops.
With adjustable glide.

Mounting

UV-Glue

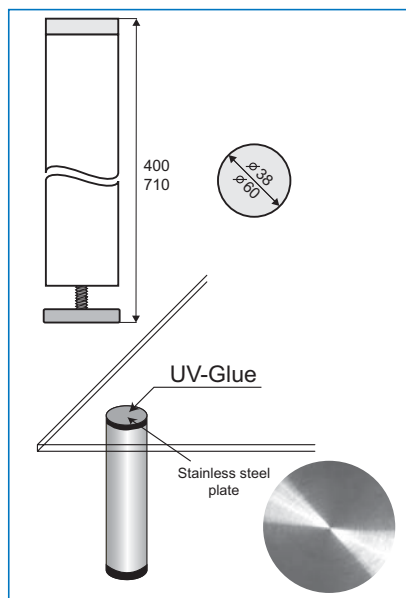
Material

Steel, chrome plated legs
Stainless steel mounting plate
Black plastic adjuster

- ∅38 x 400 mm # 06.10.070
- ∅60 x 710 mm # 06.10.100

Packing

4 legs = 1 set



„The Post“

Shelving leg system.

Can be used for shelving, storage or display purposes. Office shelves, desk shelf, shop fittings, movable trade fair displays, entertainment centres.

Easy assembly and dis-assembly

Reconfigurable

Mounting clip for wood	Zamak Aluminium finish	# 22.30.000
Foot plug	Black plastic	# 22.30.001
Mounting plug clip	Black plastic	# 22.30.002
Mounting plate for glass	Stainless Steel	# 22.30.003
Aluminium bar of 2 meters	Aluminium anodized	# 22.30.004

Mounting instruction for glass tops

The stainless steel plate is first glued to the zamak mounting clip by use of BOHLE UV-Glue B 682-0 together with BOHLE UV-Activator B 953-0. UV-lamp is not needed.

After the 2 parts are glued together the stainless steel plate is glued to the glass plate by use of BOHLE UV-Glue B 682-0. UV-lamp is needed.

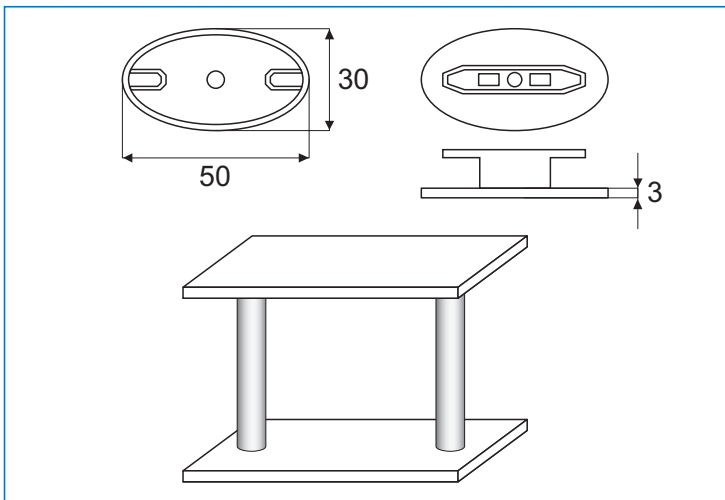
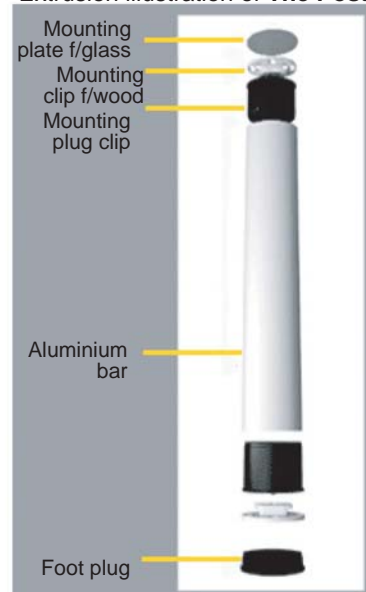
The Post - Connector detail



Kitchens



Extrusion illustration of **The Post**



Assembly

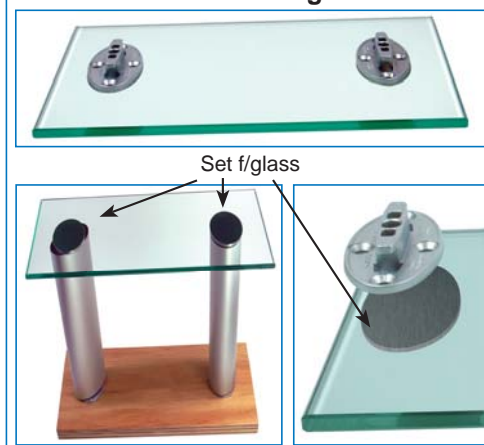


1. Screw connectors into desk/bench and shelf and place posts on connectors

2. Place shelf on posts

3. Twist posts until it locks „click“, simply twist to unlock

The Post for glass



SAUNA HINGE F/GLASS DOORS W/MOUTING PLATE

- high quality furniture fittings



Model „SLOVAKIA“

Opening: 180°.
Load capacity: 20 kg per hinge.
Glass thickness: 6-8 mm.
Max glass width: 1000 mm.

One hinge consists of:

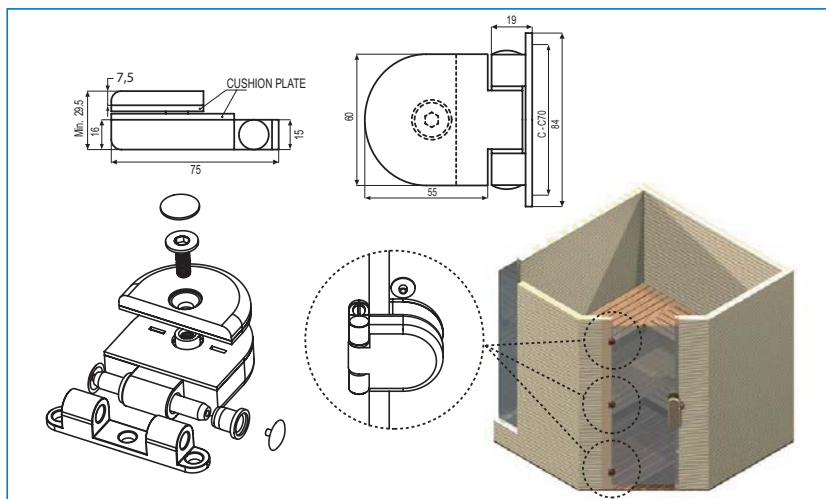
- 1 zamak mounting plate 15 x 84 mm.
- 3 CSK screw holes \varnothing 5 mm. c/c 70 mm.
- 1 zamak hinge body 60 x 55 mm.
- 1 stainless steel connecting pin.
- 2 plastic bushings.
- 1 stainless steel tightening screw M8 x 20 mm.
- 1 transparent height adjustment washer. Bore hole \varnothing 20 mm.
- 1 transparent protection ring. Bore hole \varnothing 16 mm.
- 3 plastic cover caps.

Finish

- Brown powder painted # 15.25.050
- Chrome plated # 15.25.051
- Aluminium look # 15.25.052
- Satin nickel plated # 15.25.053
- White powder painted # 15.25.054



Not for sale in Germany



SAUNA HINGE F/GLASS DOORS - PIN MOUTING

Model „TREBISOV“

Opening: 180°.
Load capacity: 20 kg per hinge.
Glass thickness: 6-8 mm.
Max glass width: 1000 mm.

One hinge consists of:

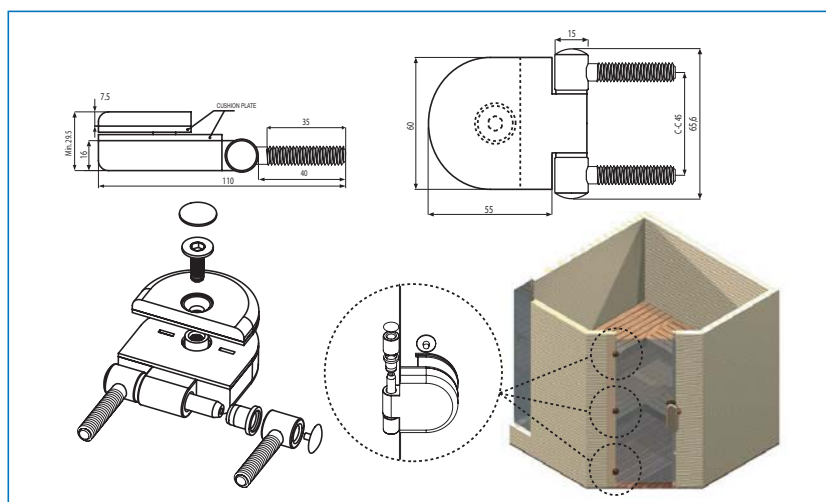
- 2 steel cylinders \varnothing 15 mm w/ M8 x 40 mm pins for door frame mounting. c/c. 45 mm.
- 1 zamak hinge body 60 x 55 mm.
- 1 stainless steel connecting pin.
- 2 plastic bushings.
- 1 stainless steel tightening screw M8 x 20 mm.
- 1 transparent height adjustment washer. Bore hole \varnothing 20 mm.
- 1 transparent protection ring. Bore hole \varnothing 16 mm.
- 3 plastic cover caps.

Finish

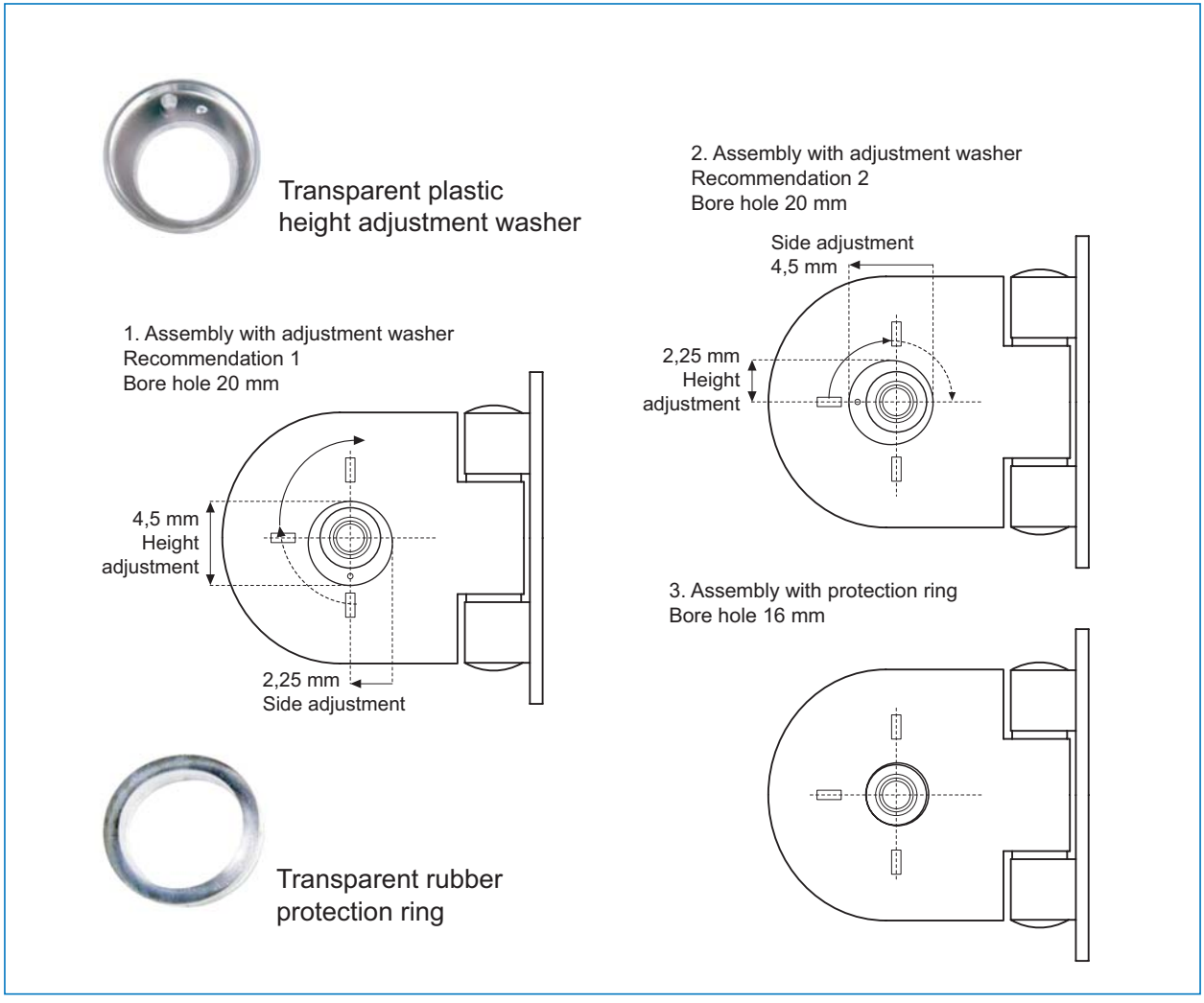
- Brown powder painted # 15.25.000
- Chrome plated # 15.25.002
- Aluminium look # 15.25.001
- Satin nickel plated # 15.25.003
- White powder painted # 15.25.004



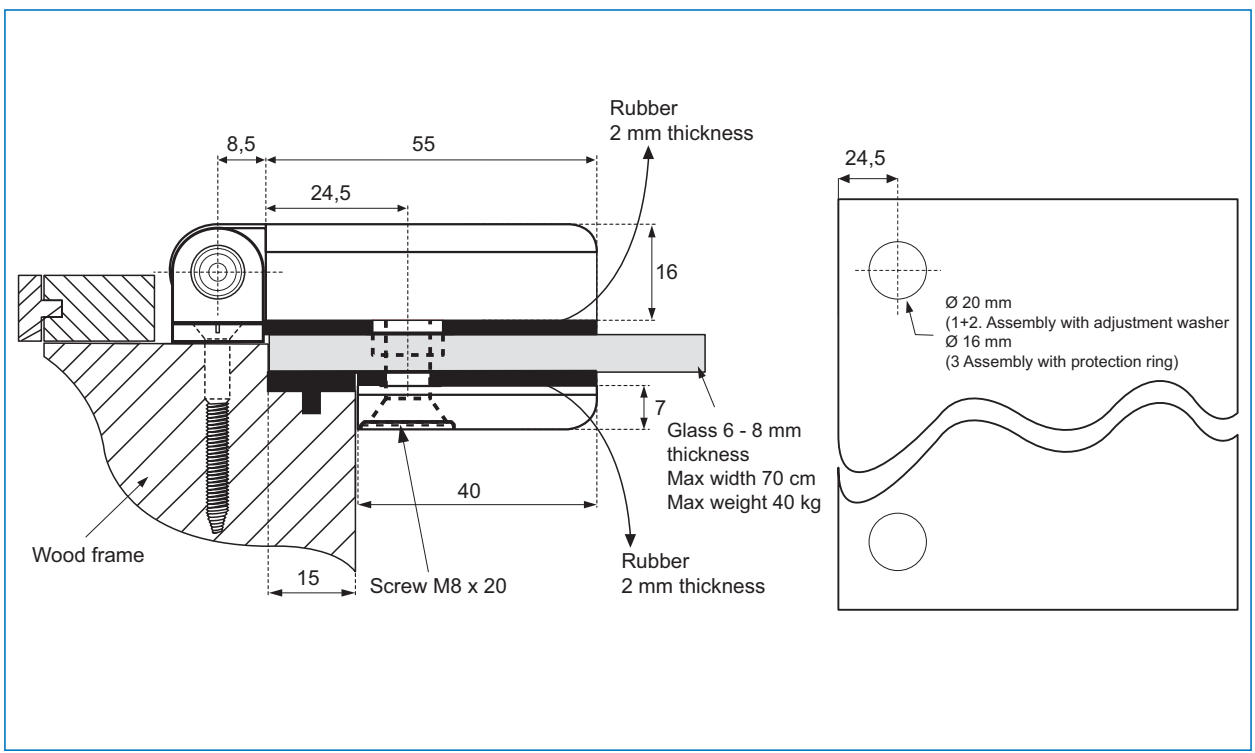
Not for sale in Germany



HEIGHT ADJUSTMENT WASHER INSTRUCTION



MOUNTING INSTRUCTION F/GLASS DOOR HINGE MODEL SLOVAKIA & TREBISOV



SAUNA HINGE F/WOODEN DOORS - PIN MOUNTING

- high quality furniture fittings

Model „BELARUS“

Opening: 180°.

Load capacity: 20 kg per hinge.

One hinge consists of

2 steel cylinders $\varnothing 15$ mm

w/ M8 x 40 mm pins for door frame mounting. c/c 44 mm.

1 steel cylinder $\varnothing 15$ mm

w/ M8 x 50 mm pin for door mounting.

1 stainless steel connecting pin.

2 plastic bushings.

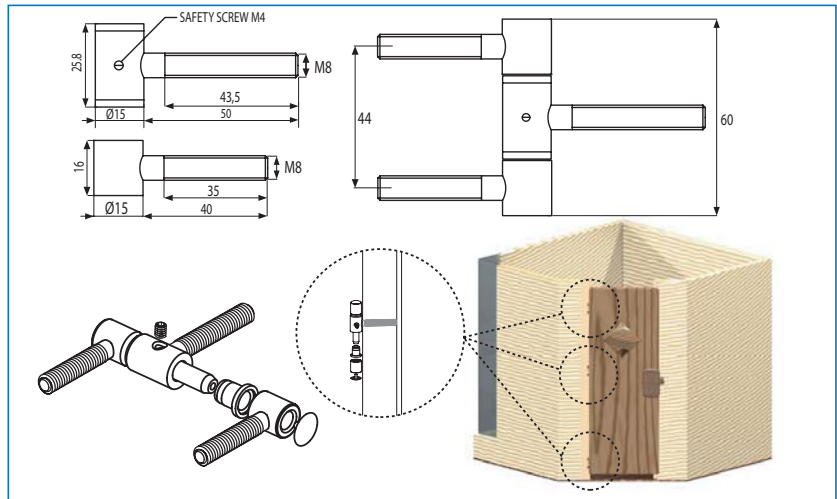
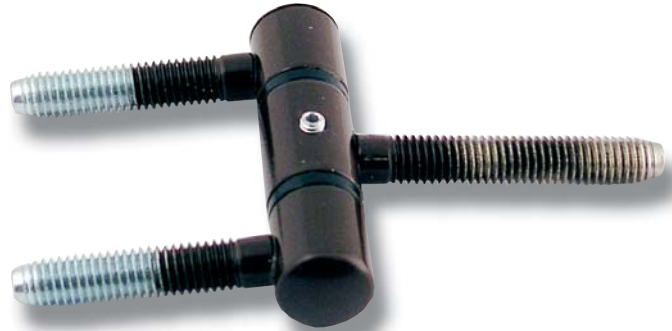
2 plastic cover caps.

1 safety screw M4.

Colour

Brown powder painted # 15.25.080

(other colours on request)



SAUNA HINGE F/WOODEN DOORS W/MOUNTING PLATE

Model „ESTI“

Opening: 180°.

Load capacity: 20 kg per hinge.

One hinge consists of

1 zamak mounting plate 15 x 84 mm.

3 CSK screw holes $\varnothing 5$ mm. c/c 70 mm.

1 steel cylinder $\varnothing 15$ mm w/ M8 x 50 mm pin for door mounting.

1 stainless steel connecting pin.

2 plastic bushings.

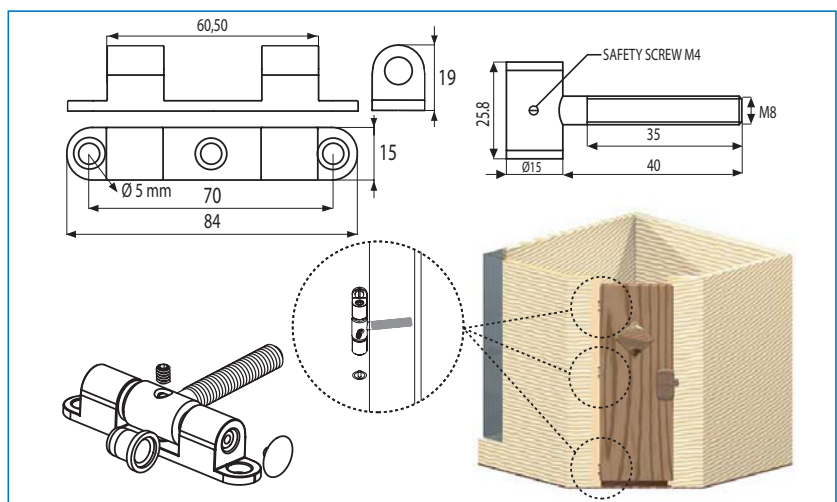
2 plastic cover caps.

1 safety screw M4.

Colour

Brown powder painted # 15.25.070

(other colours on request)



SAUNA HINGE F/GLASS DOORS - CRANKED

Model „SUOMI“

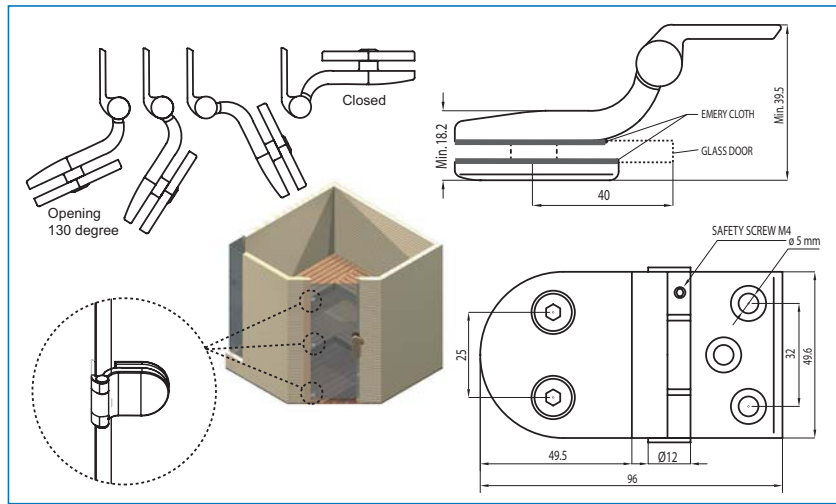
Opening: 130°.
Load capacity: 20 kg per hinge.
Glass thickness: 6-8 mm.
Max glass width: 1000 mm.
2 bore holes \varnothing 12 mm for extra safety.
40 mm distance from centre of bore hole to edge of glass door.

One hinge consists of

- 1 zamak mounting plate 25 x 50 mm.
w/3 CSK screw holes \varnothing 5 mm.
c/c 32mm.
- 1 zamak hinge body 49,5 x 49,5 mm.
- 1 stainless steel connecting pin.
- 2 plastic bushings.
- 1 safety screw M4.
- 2 stainless steel tightening screws
M8 x 12 mm c/c 25 mm.

Item No.

- Brown powder painted # 15.25.060
- Chrome plated # 15.25.061
- Aluminium finish # 15.25.062
- SS-look # 15.25.063
- White powder painted # 15.25.064



SAUNA DOOR CATCH

Model „UKRAINE“

Size
85 x 41 mm

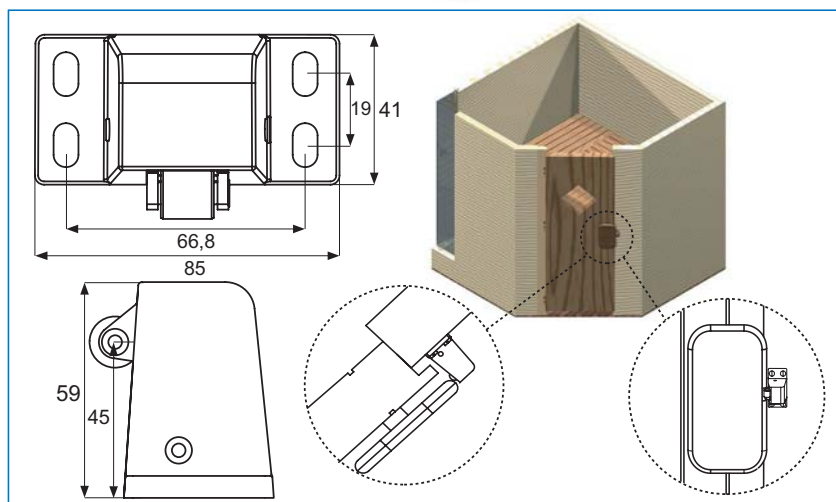
Material
Zamak house & stainless steel spring

Pulling power
13 -15 kg.

Colour
Brown powder painted
(other colours on request)

Item No.

- Brown powder painted # 15.25.020
- Chrome plated # 15.25.021
- Aluminium finish # 15.25.022
- SS-look # 15.25.023
- White powder painted # 15.25.024



SAUNA DOOR CATCH ROLLER W/STRENGHT ADJUSTMENT FUNCTION

- high quality furniture fittings



Model „DANIA“

Application

For sauna doors

Mounting

Inset hole 29 x 36 mm c.c. 48 mm

Material

Zamak housing & plastic roller

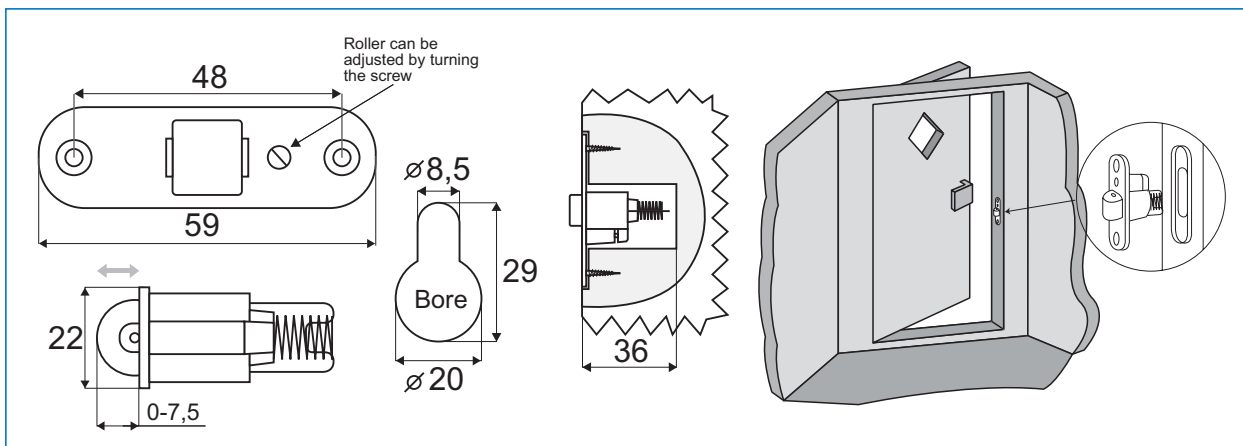
Function

By turning in the screw the depth of the roller can be adjusted from 0 - 7,5 mm

Item No.

Brown # 15.25.031

Chrome plated # 15.25.030



MAGNET SCREW WITH 14 MM HEX HEAD

MAGNET SCREW

WITH 14 MM HEX HEAD

Size M6 x 22 mm

Material Steel

Finish Nickel plated

Pulling power 9,5 kg

Item No. # 15.25.010

CATCH PLATE:

Size 35 x 27 mm.

Material Steel

Finish

W/1 mm cushion for 8 mm glass thickness:

Aluminium look # 15.25.013

Nickel plated # 15.25.015

Chrome plated # 15.25.017

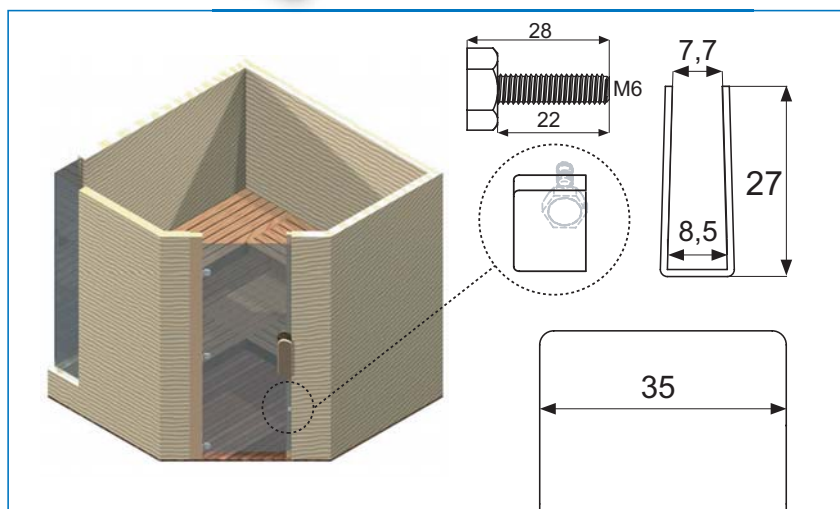
Finish

W/2 mm cushion for 6 mm glass thickness:

Aluminium look # 15.25.014

Nickel plated # 15.25.016

Chrome plated # 15.25.018



GLASS DOOR HINGE "BONN" – ALUMINUM ANODIZED

Application:
Can be used for left & right hand doors

Opening: 180°

Load Capacity: 45 kg pr. hinge

Glass thickness: 8 - 10 mm

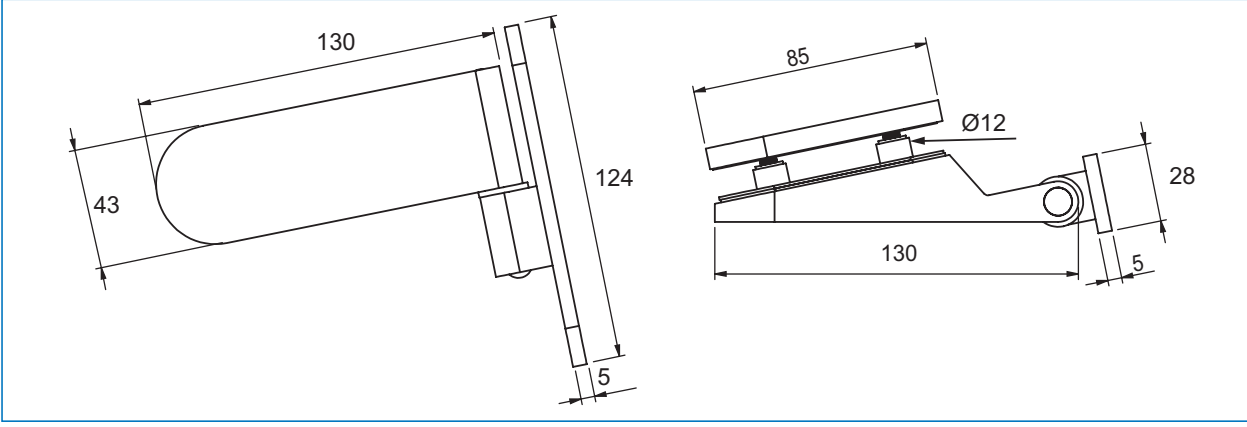
Max glass width: 1000 mm

Drilling: Ø12 mm

One hinge consists of

- 1 aluminum mounting plate 28 x 124 mm w/3 CSK screws holes Ø6,5 mm
- 1 aluminum hinge body 43 x 130 mm
- 1 aluminum back cover plate 42 x 85 mm
- 4 gaskets in 1 mm thickness
- 3 stainless steel wall mounting screws M6 x 30 mm
- 3 steel expansion wall plugs Ø8 x 24 mm.

Item No. #15.25.035



GLASS DOOR HINGE "RIGA"

Description:
Glass door aluminium hinge, wall/glass for 6-10mm glass, without cover plates (to be ordered separately).

Load capacity: 45 kg pr. pair.

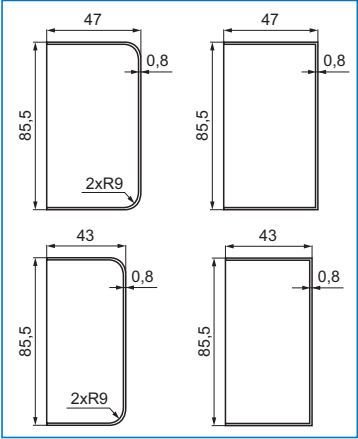
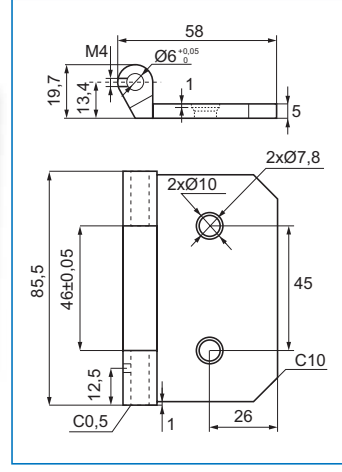
Finish:
SS-Look or Alu-Look

Item No:

Glass door hinge Alu-Look	# 15.30.002-0
Glass door hinge SS-Look	# 15.30.002-9

Separate cover caps SS-304 (set with 2 pcs):

Cover Caps, Round, Alu-Look	# 15.30.003
Cover Caps, Square, Alu-Look	# 15.30.004
Cover Caps, Round, SS-Look	# 15.30.005
Cover Caps, Square, SS-Look	# 15.30.006



GLASS DOOR HINGE "GRAZ"

- high quality furniture fittings

Description:

Glass door aluminum hinge, wall/glass for 6 - 10 mm glass.

Without cover plates (to be bought separately)

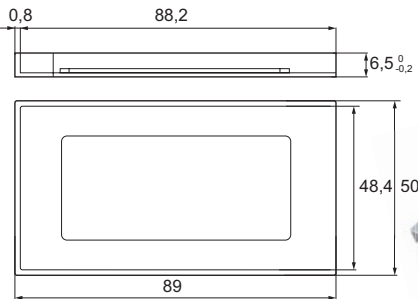
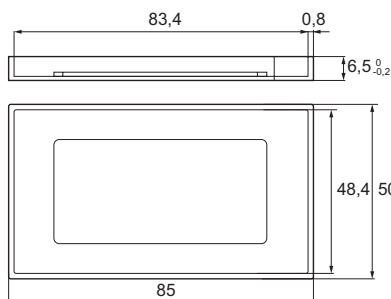
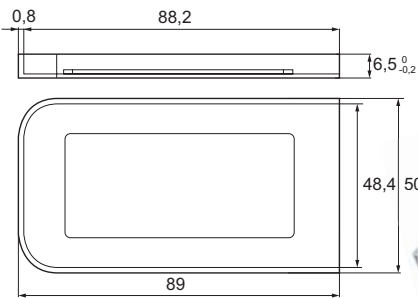
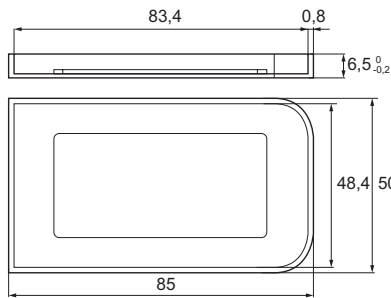
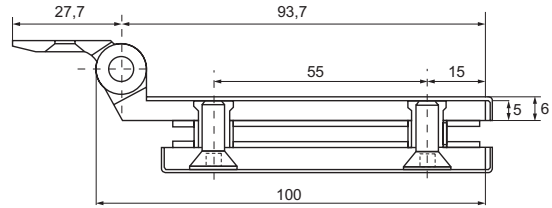
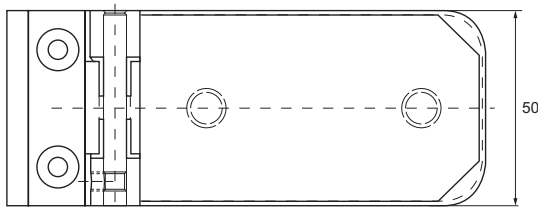
Load capacity: 45 kg pr. pair

Item No:

Glass door hinge SS-Look # 15.30.010
 Glass door hinge Alu-Look # 15.30.012

Separate cover plates SS-304 (set with 2 pieces):

Cover caps, Round, SS-Look # 15.30.013
 Cover caps, Square, SS-Look # 15.30.014
 Cover caps, Round, Alu-Look # 15.30.017
 Cover caps, Square, Alu-Look # 15.30.018



SHOWER DOOR HINGE „TEX“

Application

Suitable for glass door/shower doors
 Drilling/cutting required
 W/angle adjustment function
 W/25° return function (self-centering)

Opening: 90°

Max glass width: 800 mm

Load capacity: 18 kg per hinge

Glass thickness: 6-10 mm

Material

Brass

1 hinge consists of

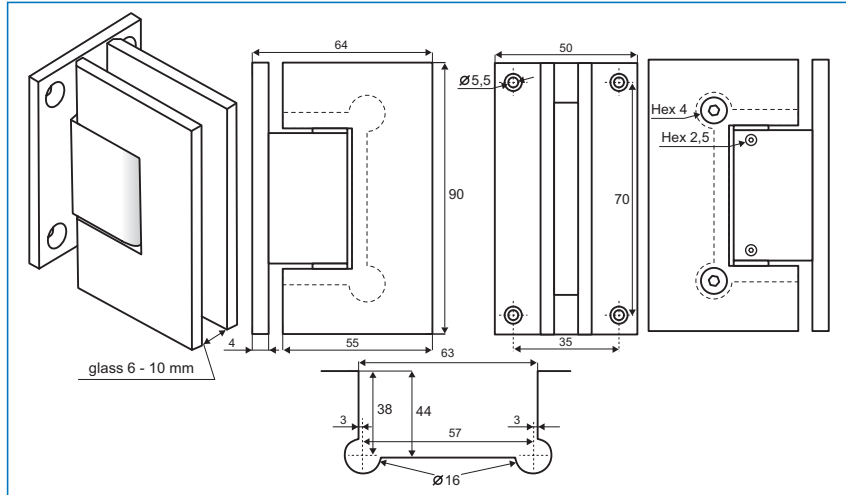
- 1 hinge 90 x 55 mm
- 1 mounting plate 4 x 90 x 50 mm
- 2 hex screws 4 mm
- 1 L-shaped 4 mm hex key
- 2 transparent cushions 1 mm thickness
- 2 transparent cushions 1,5 mm thickness
- 2 screws w/2,5 mm hex
- 1 L-shaped hex key 2,5 mm
- 4 wall plugs
- 4 wall screws
- 1 drilling/cutting template

Finish

- SS-look # 15.24.000
- Chrome plated # 15.24.002
- Alu-finish # 15.24.001

Packing

20 pcs per carton



SHOWER DOOR HINGE „TEX“ W/OFF CENTRE MOUNTING PLATE

Application

Suitable for glass door/shower doors
 Drilling/cutting required
 W/angle adjustment function
 W/25° return function (self-centering)

Opening: 90°

Max glass width: 800 mm

Load capacity: 18 kg per hinge

Glass thickness: 6-10 mm

Material

Brass

1 hinge consists of

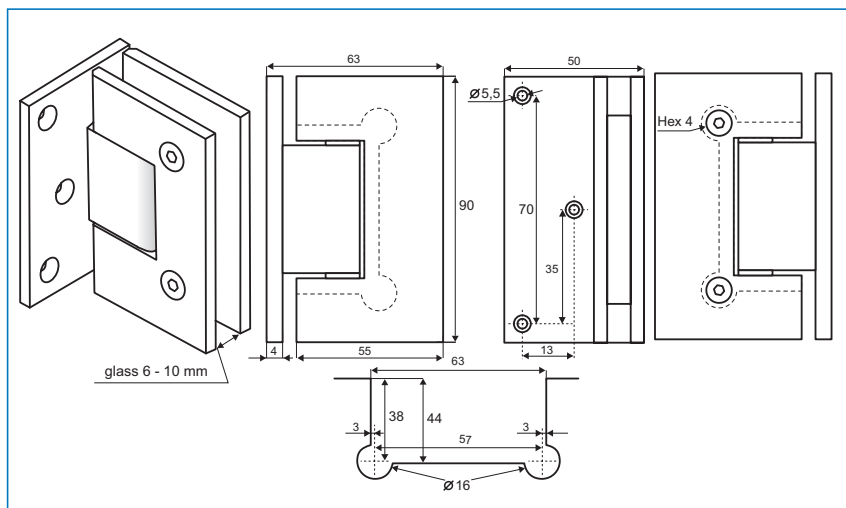
- 1 hinge 90 x 55 mm
- 1 mounting plate 4 x 90 x 50 mm
- 2 hex screws 4 mm
- 1 L-shaped 4 mm hex key
- 2 transparent cushions 1 mm thickness
- 2 transparent cushions 1,5 mm thickness
- 2 screws w/2,5 mm hex
- 1 L-shaped hex key 2,5 mm
- 3 wall plugs
- 3 wall screws
- 1 drilling/cutting template

Finish

- SS-look # 15.24.010
- Alu-finish # 15.24.011
- Chrome plated # 15.24.012

Packing

20 pcs per carton



SHOWER DOOR HINGE „TEX“ GLASS TO GLASS 180°

- high quality furniture fittings

SISO
DENMARK

Application

Suitable for glass door/shower doors
Drilling/cutting required
W/angle adjustment function
W/25° return function (self-centering)
Opening: 180°
Max glass width: 800 mm
Load capacity: 18 kg per hinge
Glass thickness: 6 - 10 mm

Material

Brass

1 hinge consists of

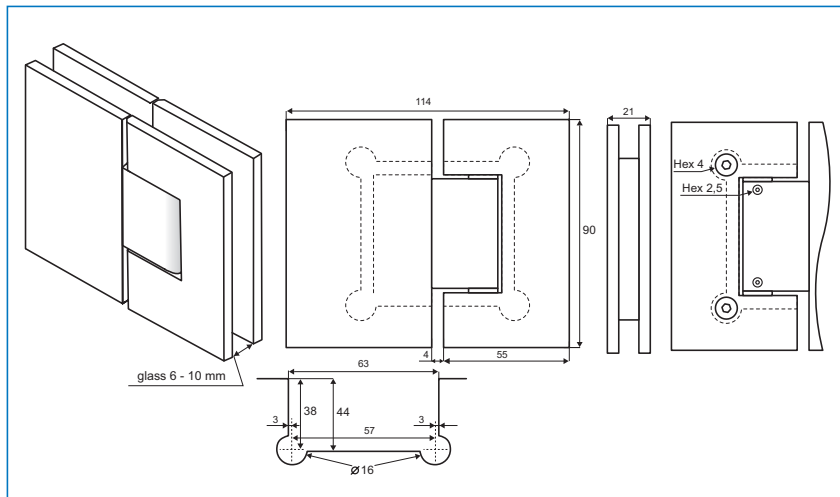
1 hinge 90 x 55 mm
1 glass wall fixing plate 90 x 55 mm
4 hex screws 4 mm
1 L-shaped 4 mm hex key
4 transparent cushions 1 mm thickness
4 transparent cushions 1,5 mm thickness
2 screws w/2,5 mm hex
1 L-shaped hex key 2,5 mm
1 drilling/cutting template

Finish

SS-look # 15.24.005
Alu-finish # 15.24.006
Chrome plated # 15.24.007

Packing

10 pcs per carton



SHOWER DOOR HINGE „TEX“ GLASS TO GLASS 90°

Application

Suitable for glass doors/shower doors
Drilling/cutting required
W/angle adjustment function
W/25° return function (self-centering)

Opening: 90°

Max glass width: 800 mm
Load Capacity: 18 kg per hinge
Glass thickness: 6 – 10 mm

Material

Brass

1 hinge consists of

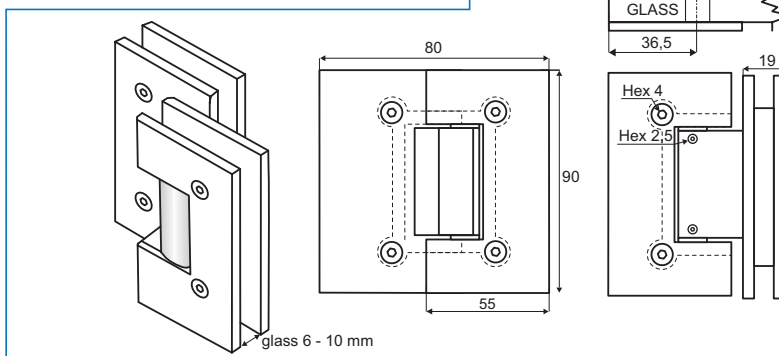
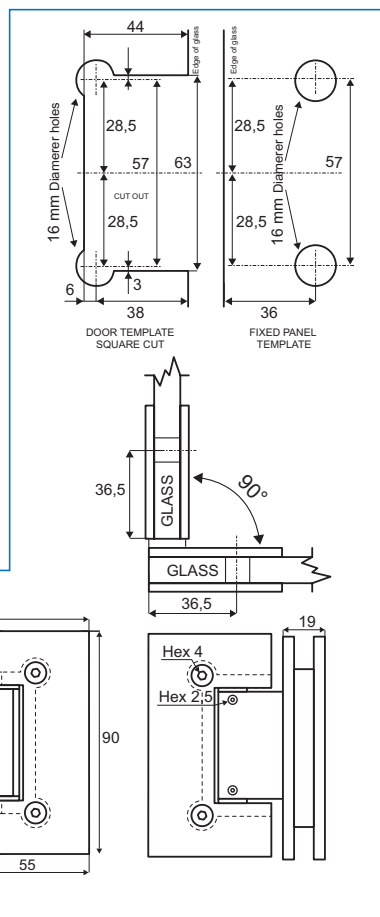
1 hinge 90 x 55 mm
1 glass wall fixing plate 90 x 55 mm
4 hex screws 4 mm
1 L-shaped 4 mm hex key
2 transparent cushions 1 mm tickness
2 transparent cushions 1,5 mm tickness
2 screws w/2,5 mm hex
1 L-shaped 2,5 mm hex key
1 drilling/cutting template

Finish

Chrome Plated # 15.24.015

Packing

20 pcs per carton



SHOWER DOOR HINGE „CPH“

Application

Suitable for glass door/shower doors
 Drilling/cutting required
 W/angle adjustment function
 W/25° return function (self-centering)

Opening: 90°

Max glass width: 800 mm

Load capacity: 18 kg per hinge

Glass thickness: 6-10 mm

Material

Brass

1 hinge consists of

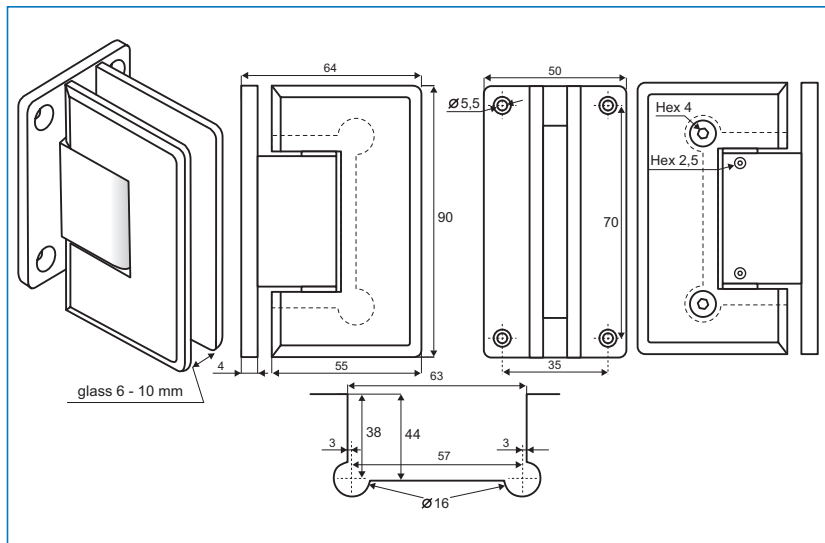
- 1 hinge 90 x 55 mm
- 1 mounting plate 4 x 90 x 50 mm
- 2 hex screws 4 mm
- 1 L-shaped 4 mm hex key
- 2 transparent cushions 1 mm thickness
- 4 transparent cushions 1,5 mm thickness
- 2 screws w/2,5 mm hex
- 1 L-shaped hex key 2,5 mm
- 4 wall plugs & 4 wall screws
- 1 drilling/cutting template

Finish

- SS-look # 15.23.811
- Chrome plated # 15.23.810
- Alu-finish # 15.23.812

Packing

20 pcs per carton



SHOWER DOOR HINGE „CPH“ W/OFF CENTRE MOUNTING PLATE

Application

Suitable for glass door/shower doors
 Drilling/cutting required
 W/angle adjustment function
 W/25° return function (self-centering)

Opening: 90°

Max glass width: 800 mm

Load capacity: 18 kg per hinge

Glass thickness: 6-10 mm

Material

Brass

1 hinge consists of

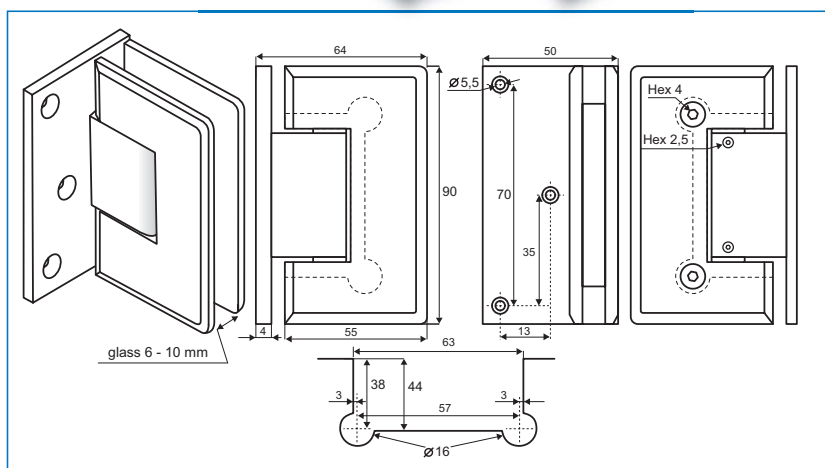
- 1 hinge 90 x 55 mm
- 1 mounting plate 4 x 90 x 50 mm
- 2 hex screws 4 mm
- 1 L-shaped 4 mm hex key
- 2 transparent cushions 1 mm thickness
- 4 transparent cushions 1,5 mm thickness
- 2 screws w/2,5 mm hex
- 1 L-shaped hex key 2,5 mm
- 3 wall plugs & 3 wall screws
- 1 drilling/cutting template

Finish

- SS-look # 15.23.815
- Chrome plated # 15.23.814
- Alu-finish # 15.23.816

Packing

20 pcs per carton



SHOWER DOOR HINGE „CPH“ GLASS TO GLASS 180°

- high quality furniture fittings



Application

Suitable for glass door/shower doors
Drilling/cutting required
W/angle adjustment function
W/25° return function (self-centering)

Opening: 180°

Max glass width: 800 mm

Load capacity: 18 kg per hinge

Glass thickness: 6-10 mm

Material

Brass

1 hinge consists of

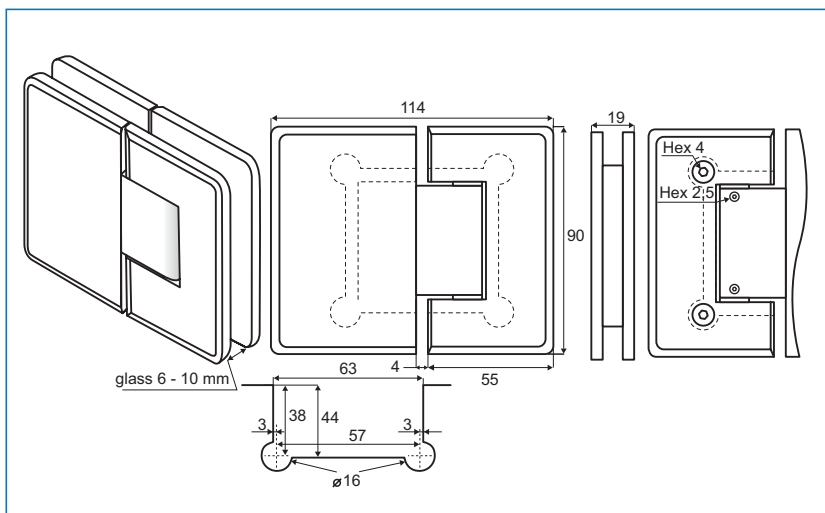
- 1 hinge 90 x 55 mm
- 1 glass wall fixing plate 90 x 55 mm
- 4 hex screws 4 mm
- 1 L-shaped 4 mm hex key
- 2 transparent cushions 1 mm thickness
- 4 transparent cushions 1,5 mm thickness
- 2 screws w/2,5 mm hex
- 1 L-shaped hex key 2,5 mm
- 1 drilling/cutting template

Finish

- SS-look # 15.23.820
- Chrome plated # 15.23.818
- Alu-finish # 15.23.819

Packing

10 pcs per carton



SHOWER DOOR HINGE „CPH“ GLASS TO GLASS 90°

Application

Suitable for glass doors/shower doors
Drilling/cutting required
W/angle adjustment function
W/25° return function (self-centering)

Opening: 90°

Max glass width: 800 mm

Load capacity: 18 kg per hinge

Glass thickness: 6-10 mm

Material

Brass

1 hinge consists of

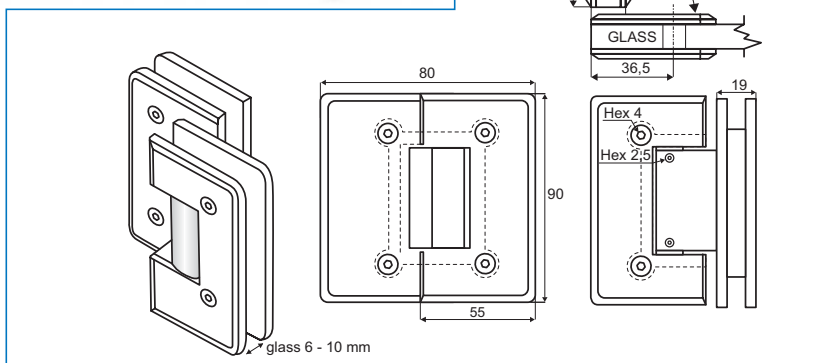
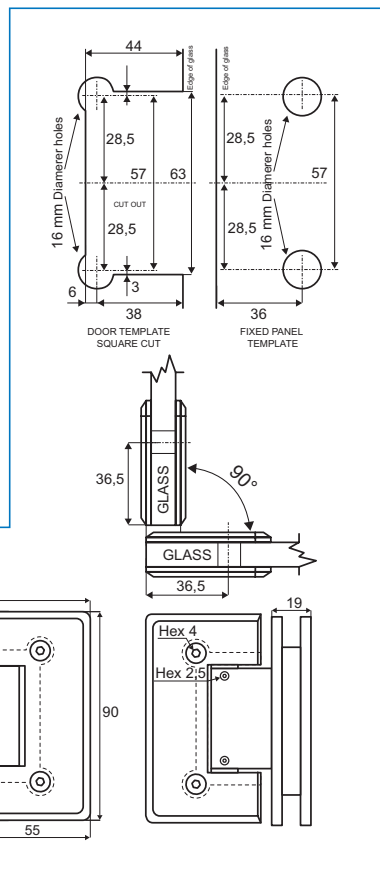
- 1 hinge 90 x 55 mm
- 1 glass wall fixing plate 90 x 55 mm
- 4 hex screws 4 mm
- 1 L-shaped 4 mm hex key
- 2 transparent cushions 1 mm thickness
- 2 transparent cushions 1,5 mm thickness
- 2 screws w/2,5 mm hex
- 1 L-shaped 2,5 mm hex key
- 1 drilling/cutting template

Finish

- Chrome plated # 15.23.821
- SS-look # 15.23.822
- Alu-finish # 15.23.823

Packing

20 pcs per carton



SHOWER DOOR HINGE „CPH“ GLASS TO GLASS 135°

Application

Suitable for glass doors/shower doors
Drilling/cutting required
W/angle adjustment function
W/25° return function (self-centering)

Opening: 135°

Max glass width: 800 mm

Load capacity: 18 kg per hinge

Glass thickness: 6 - 10 mm

Material

Brass

1 hinge consists of

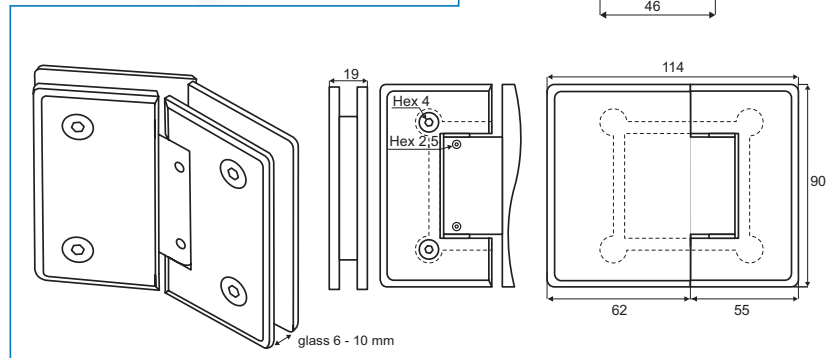
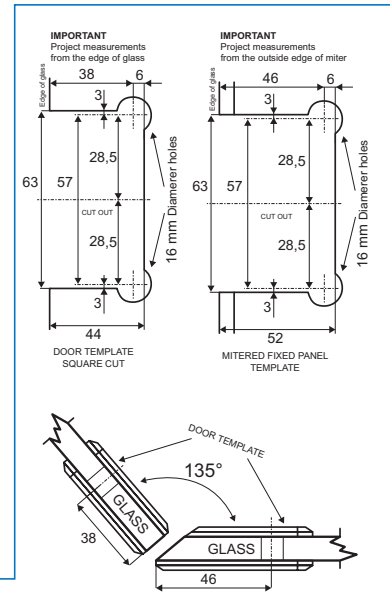
- 1 hinge 90 x 55 mm
- 1 glass wall fixing plate 90 x 55 mm
- 4 hex screws 4 mm
- 1 L-shaped 4 mm hex key
- 2 transparent cushions 1 mm thickness
- 2 transparent cushions 1,5 mm thickness
- 2 screws w/2,5 mm hex
- 1 L-shaped 2,5 mm hex key
- 1 drilling/cutting template

Finish

- Chrome plated # 15.23.807
- SS-look # 15.23.808
- Alu-finish # 15.23.809

Packing

10 pcs per carton



SHOWER DOOR HINGE „JUN“ W/OFF CENTRE MOUNTING PLATE

Application

Suitable for glass door
Drilling/cutting required
W/15° return function

Opening: 90°

Load capacity: 12 kg per hinge

Glass thickness: 6 - 8 mm

Material

Brass

1 hinge consists of

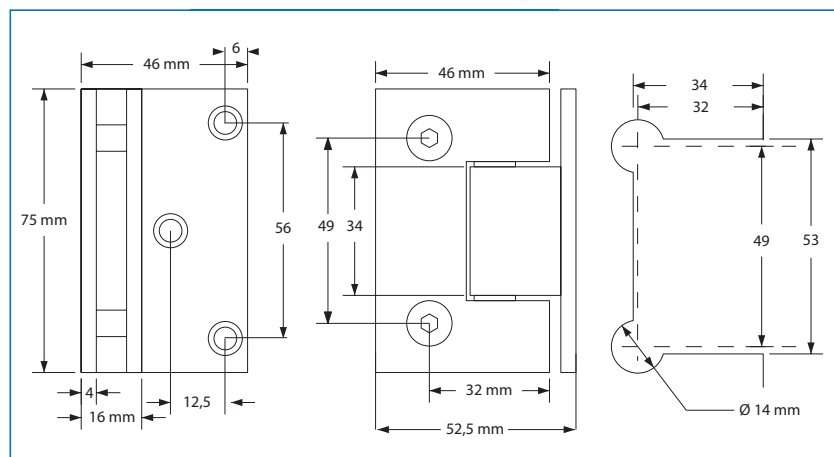
- 1 hinge 75 x 46 mm
- 1 mounting plated 75x43x4 mm (H/W/T)
- 2 transparent cushions 1 mm thickness
- 2 transparent cushions 1,5 mm thickness
- 1 L-shaped hex key 4 mm
- 3 wall plugs
- 3 wall screws

Finish

- Chrome plated # 15.24.205

Packing

20 pcs per carton



SHOWER DOOR HINGE „JUN“ GLASS TO GLASS 180°

- high quality furniture fittings



Application

Suitable for glass door
Drilling/cutting required
W/15° return function

Opening: 180°

Load capacity: 14 kg per hinge

Glass thickness: 6 - 8 mm

Material

Brass

1 hinge consists of

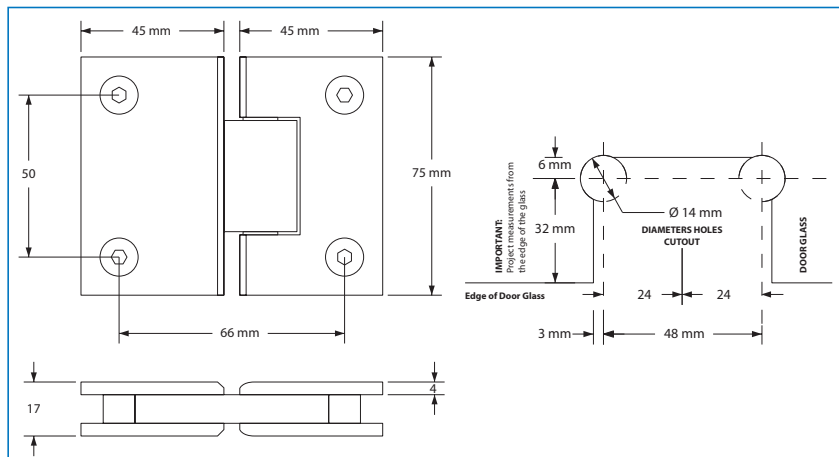
- 1 hinge 75 x 45 mm
- 4 transparent cushions 1 mm thickness
- 4 transparent cushions 1,5 mm thickness
- 1 L-shaped hex key 4 mm

Finish

Chrome plated # 15.24.210

Packing

20 pcs per carton



SHOWER DOOR HINGE „JUN“ GLASS TO GLASS 135°

Application

Suitable for glass door
Drilling/cutting required
W/15° return function

Opening: 135°

Load capacity: 14 kg per hinge

Glass thickness: 6 - 8 mm

Material

Brass

1 hinge consists of

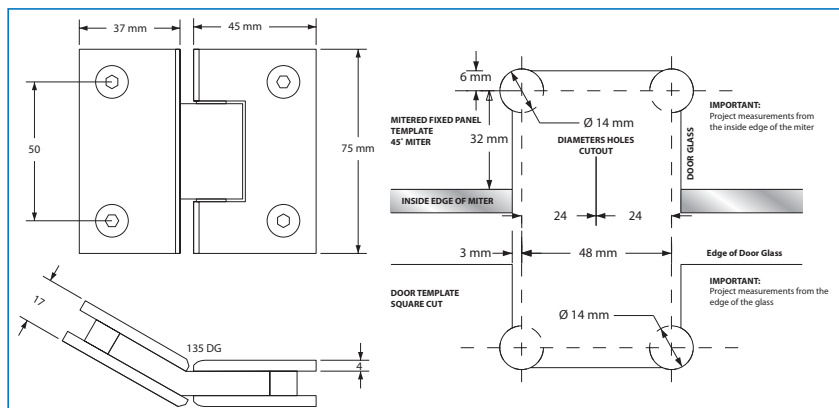
- 1 hinge 75 x 45 mm & 75 x 37 mm
- 4 transparent cushions 1 mm thickness
- 4 transparent cushions 1,5 mm thickness
- 1 L-shaped hex key 4 mm

Finish

Chrome plated # 15.24.215

Packing

20 pcs per carton



SHOWER DOORHINGE „LINZ“ W/OFF CENTRE MOUNTING PLATE

Application

Suitable for glass door/shower doors
Drilling/cutting required
W/angle adjustment function
W/25° return function (self-centering)

Opening: 90°

Max glass width: 800 mm

Load capacity: 18 kg per hinge

Glass thickness: 6-10 mm

Material

Brass

1 hinge consists of

- 1 hinge 55 x 112 mm
- 1 mounting plate 33 x 55 mm
- 2 fixing screws 4 mm hex
- 1 L-shaped 4 mm hex key
- 2 transparent cushions 1 mm thickness
- 2 transparent cushions 1,5 mm thickness
- 1 angle adjustment screws w/3 mm hex
- 1 L-shaped hex key 3 mm
- 3 wall plugs & 3 wall screws
- 1 drilling/cutting template

Finish

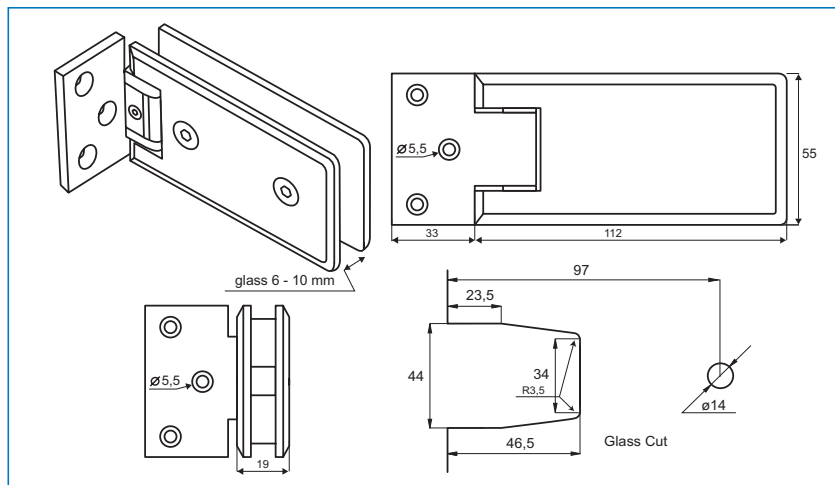
SS-look # 15.23.845

Chrome plated # 15.23.844

Alu-finish # 15.23.846

Packing

20 pcs per carton



SHOWER DOOR HINGE „LINZ“ W/CENTRE MOUNTING PLATE

Application

Suitable for glass door/shower doors
Drilling/cutting required
W/angle adjustment function
W/25° return function (self-centering)

Opening: 90°

Max glass width: 800 mm

Load capacity: 18 kg per hinge

Glass thickness: 6-10 mm

Material

Brass

1 hinge consists of

- 1 hinge 55 x 112 mm
- 1 mounting plate 61 x 55 mm
- 2 fixing screws 4 mm hex
- 1 L-shaped 4 mm hex key
- 2 transparent cushions 1 mm thickness
- 2 transparent cushions 1,5 mm thickness
- 1 angle adjustment screws w/3 mm hex
- 1 L-shaped hex key 3 mm
- 3 wall plugs & 3 wall screws
- 1 drilling/cutting template

Finish

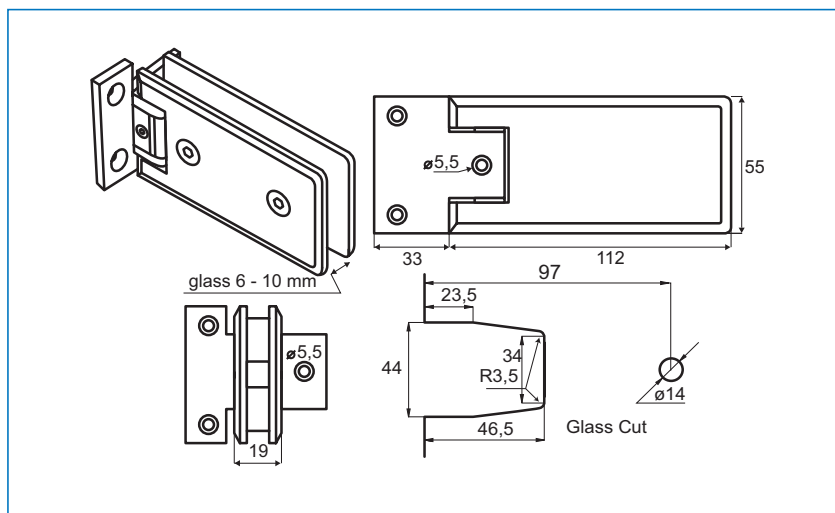
SS-look # 15.23.841

Chrome plated # 15.23.840

Alu-finish # 15.23.842

Packing

20 pcs per carton



SHOWER DOOR HINGE „LINZ“ GLASS TO GLASS 135°

- high quality furniture fittings



Application

Suitable for glass doors/shower doors
Drilling/cutting required
W/angle adjustment function
W/25° return function (self-centering)

Opening: 135°

Max glass width: 800 mm
Load capacity: 18 kg per hinge
Glass thickness: 6 - 10 mm

Material

Brass

1 hinge consists of

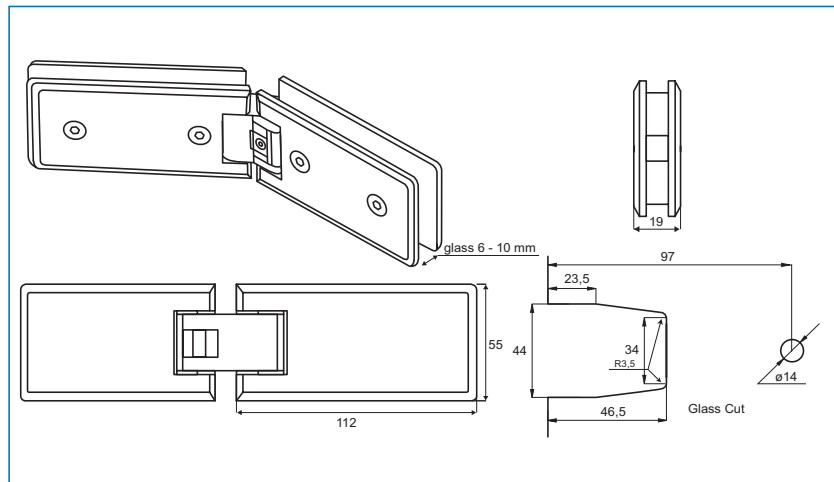
1 hinge 55 x 112 mm
1 glass wall fixing plate 55 x 112 mm
4 hex screws 4 mm
1 L-shaped 4 mm hex key
2 transparent cushions 1 mm thickness
2 transparent cushions 1,5 mm thickness
1 angle adjustment screw w/3mm hex
1 L-shaped 3 mm hex key
1 drilling/cutting template

Finish

Chrome plated # 15.23.850
SS-look # 15.23.851
Alu-finish # 15.23.852

Packing

10 pcs per carton



SHOWER DOOR HINGE „LINZ“ GLASS TO GLASS 90°

Application

Suitable for glass doors/shower doors
Drilling/cutting required
W/angle adjustment function
W/25° return function (self-centering)

Opening: 180°

Max glass width: 800 mm
Load capacity: 18 kg per hinge
Glass thickness: 6 – 10 mm

Material

Brass

1 hinge consists of

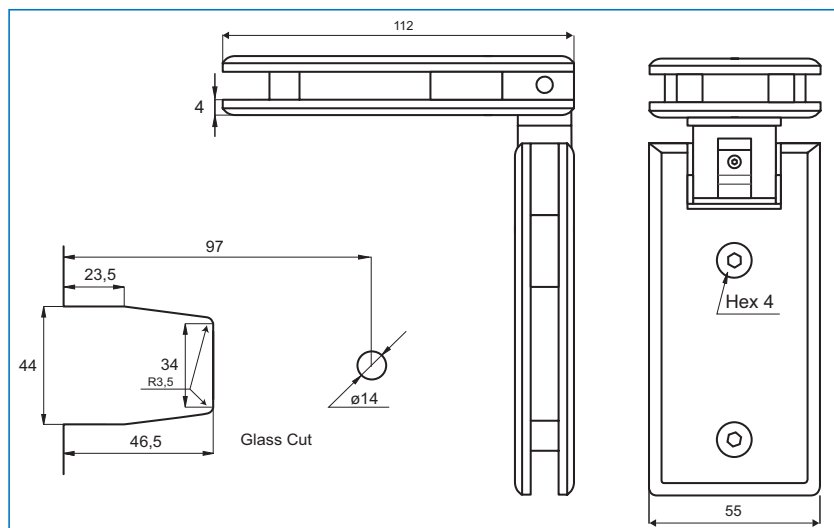
1 hinge 55 x 112 mm
1 glass wall fixing plate 55 x 112 mm
4 hex screws 4 mm
1 L-shaped 4 mm hex key
4 transparent cushions 1 mm
8 transparent cushions 1,5 mm
1 angle adjustment screw w/4 mm hex
1 drilling/cutting template

Finish

Chrome plated # 15.23.860
SS-Look # 15.23.861
Alu finish # 15.23.862

Packing

10 pcs per carton



SHOWER DOOR HINGE „LINZ“ GLASS TO GLASS 180°

Application

Suitable for glass doors/shower doors
Drilling/cutting required
W/angle adjustment function
W/25° return function (self-centering)

Opening: 180°

Max glass width: 800 mm

Load capacity: 18 kg per hinge

Glass thickness: 6 - 10 mm

Material

Brass

1 hinge consists of

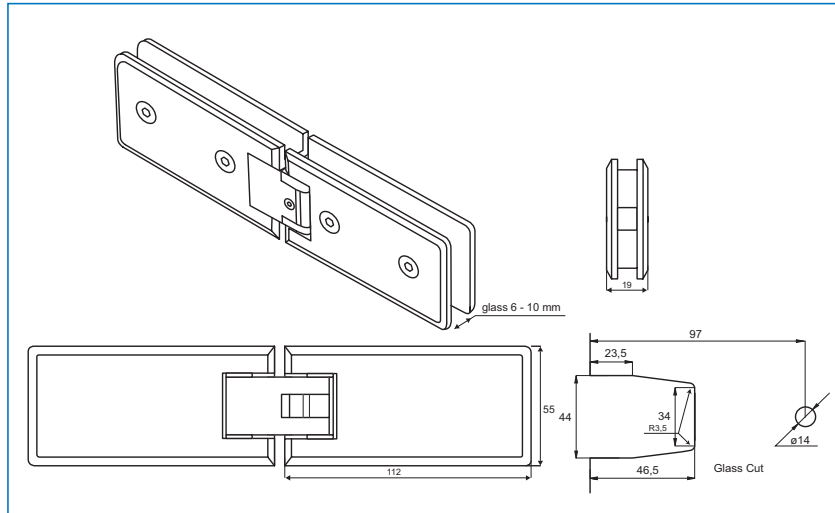
- 1 hinge 55 x 112 mm
- 1 glass wall fixing plate 55 x 112 mm
- 4 hex screws 4 mm
- 1 L-shaped 4 mm hex key
- 2 transparent cushions 1 mm thickness
- 2 transparent cushions 1,5 mm thickness
- 1 angle adjustment screw w/3mm hex
- 1 L-shaped 3 mm hex key
- 1 drilling/cutting template

Finish

- Chrome plated # 15.23.847
- SS-look # 15.23.848
- Alu-finish # 15.23.849

Packing

10 pcs per carton



SHOWER DOOR HINGE „LINZ“ GLASS TO GLASS 180° W/OVERLAP

Application

Suitable for glass doors/shower doors
Drilling/cutting required
W/25 mm overlap
W/25° return function (self-centering)
27 mm distance between the glass plates

Opening: 180°

Max glass width: 800 mm

Load capacity: 18 kg per hinge

Glass thickness: 6 - 10 mm

Material

Brass

1 hinge consists of

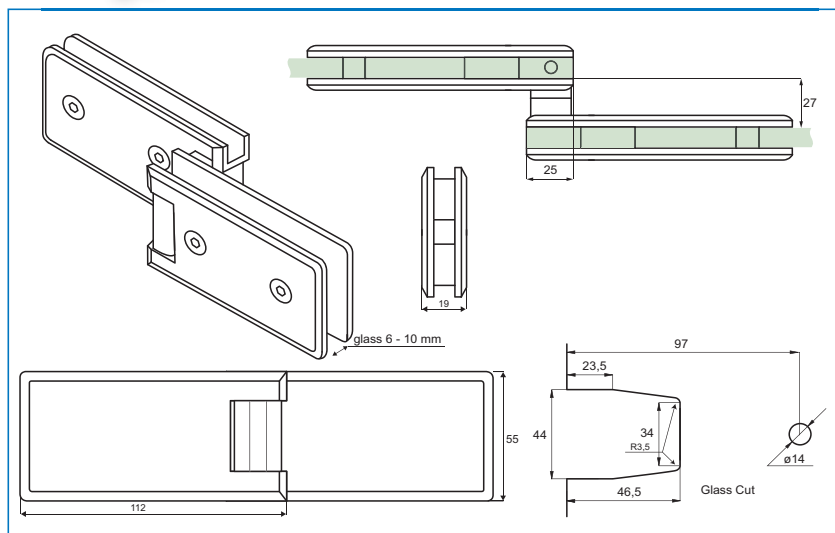
- 1 hinge 55 x 112 mm
- 1 glass wall fixing plate 55 x 112 mm
- 4 hex screws 4 mm
- 1 L-shaped 4 mm hex key
- 2 transparent cushions 1 mm thickness
- 2 transparent cushions 1,5 mm thickness
- 1 angle adjustment screw w/3mm hex
- 1 L-shaped 3 mm hex key
- 1 drilling/cutting template

Finish

- Chrome plated # 15.23.855
- SS-look # 15.23.856
- Alu-finish # 15.23.857

Packing

10 pcs per carton



SHOWER DOOR HINGE „KING“ W/OFF CENTRE MOUNTING PLATE

- high quality furniture fittings



Application

Suitable for glass doors/shower doors
Drilling/cutting required
W/angle adjustment function
W/25° return function (self-centering)

Opening: 90°

Max glass width: 800 mm

Load capacity: 18 kg per hinge

Glass thickness: 6 - 10 mm

Material

Brass

1 hinge consists of

- 1 hinge 55 x 112 mm
- 1 mounting plate 19 x 55 mm
- 2 fixing screws 4 mm hex
- 1 L-shaped 4 mm hex key
- 2 transparent cushions 1 mm thickness
- 2 transparent cushions 1,5 mm thickness
- 1 angle adjustment screw w/3 mm hex
- 1 L-shaped 3 mm hex key
- 2 wall plugs & 2 wall screws
- 1 drilling/cutting template

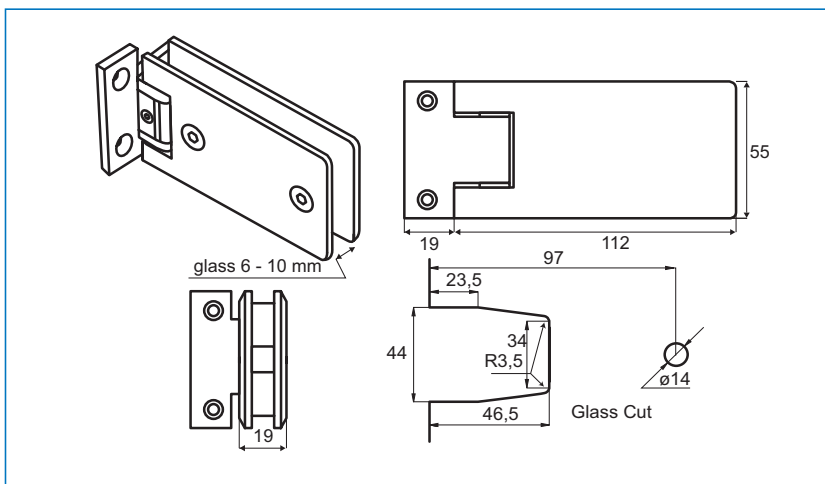
Finish

Chrome plated # 15.24.130

SS-look # 15.24.131

Packing

20 pcs per carton



SHOWER DOOR HINGE „KING“ GLASS TO GLASS 135°

Application

Suitable for glass doors/shower doors
Drilling/cutting required
W/angle adjustment function
W/25° return function (self-centering)

Opening: 135°

Max glass width: 800 mm

Load capacity: 18 kg per hinge

Glass thickness: 6 - 10 mm

Material

Brass

1 hinge consists of

- 1 hinge 55 x 112 mm
- 1 glass wall fixing plate 55 x 112 mm
- 4 hex screws 4 mm
- 1 L-shaped 4 mm hex key
- 2 transparent cushions 1 mm thickness
- 2 transparent cushions 1,5 mm thickness
- 1 angle adjustment screw w/3mm hex
- 1 L-shaped 3 mm hex key
- 1 drilling/cutting template

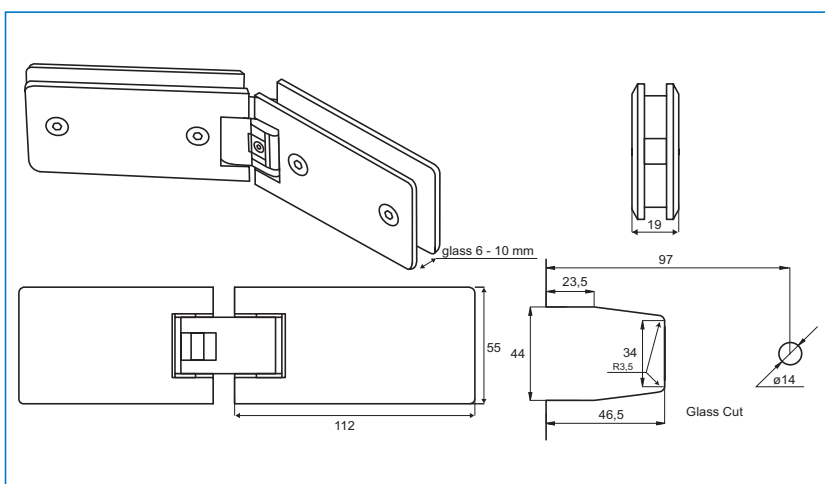
Finish

Chrome plated # 15.24.140

SS-look # 15.24.141

Packing

10 pcs per carton



SHOWER DOOR HINGE "KING" GLASS TO GLASS 90°

Application

Suitable for glass doors/shower doors
Drilling/cutting required
W/angle adjustment function
W/25° return function (self-centering)

Opening: 180°

Max glass width: 800 mm

Load capacity: 18 kg per hinge

Glass thickness: 6 – 10 mm

Material

Brass

1 hinge consists of

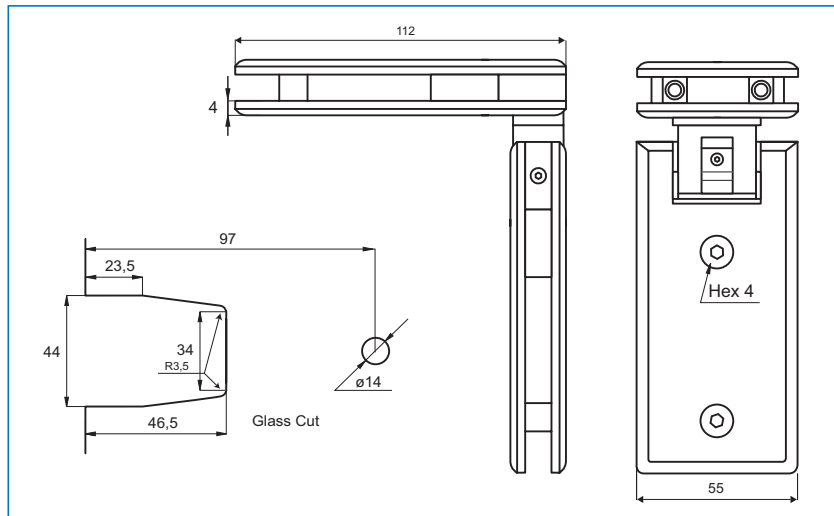
- 1 hinge 55 x 112 mm
- 1 glass wall fixing plate 55 x 112 mm
- 4 hex screws 4 mm
- 1 L-shaped 4 mm hex key
- 4 transparent cushions 1 mm
- 8 transparent cushions 1,5 mm
- 1 angle adjustment screw w/4 mm hex
- 1 drilling/cutting template

Finish

- Chrome plated # 15.24.145
- SS-Look # 15.24.146
- Alu finish # 15.24.147

Packing

10 pcs per carton



SHOWER DOOR HINGE „KING“ GLASS TO GLASS 180°

Application

Suitable for glass doors/shower doors
Drilling/cutting required
W/angle adjustment function
W/25° return function (self-centering)

Opening: 180°

Max glass width: 800 mm

Load capacity: 18 kg per hinge

Glass thickness: 6 - 10 mm

Material

Brass

1 hinge consists of

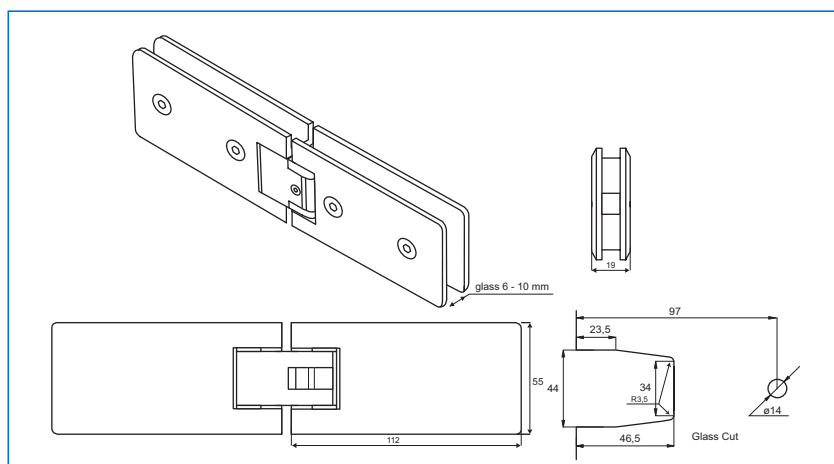
- 1 hinge 55 x 112 mm
- 1 glass wall fixing plate 55 x 112 mm
- 4 hex screws 4 mm
- 1 L-shaped 4 mm hex key
- 2 transparent cushions 1 mm thickness
- 2 transparent cushions 1,5 mm thickness
- 1 angle adjustment screw w/3mm hex
- 1 L-shaped 3 mm hex key
- 1 drilling/cutting template

Finish

- Chrome plated # 15.24.135
- SS-look # 15.24.136

Packing

10 pcs per carton



SHOWER DOOR HINGE „ZUG“ W/OFF CENTRE MOUNTING PLATE

- high quality furniture fittings



Application

Suitable for glass door/shower doors
Drilling/cutting required
W/angle adjustment function
W/25° return function (self-centering)

Opening: 90°

Max glass width: 800 mm

Load capacity: 18 kg per hinge

Glass thickness: 6-10 mm

Material

Brass

1 hinge consists of

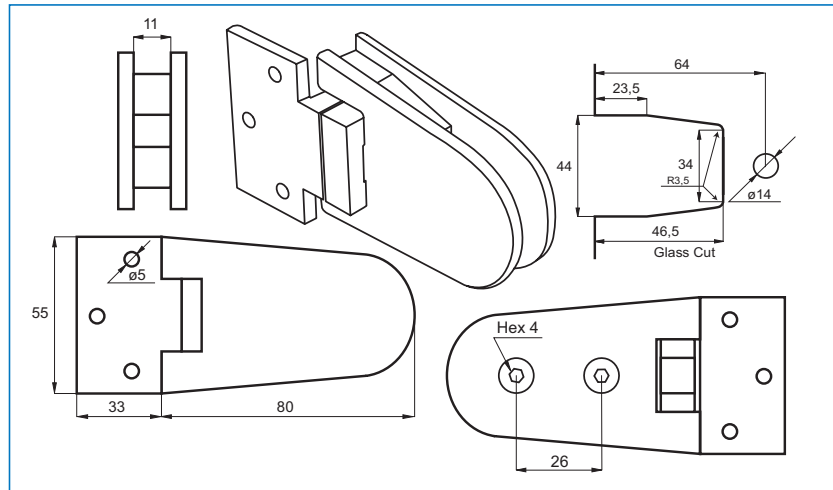
- 1 hinge 55 x 80 mm
- 1 mounting plate 33 x 55 mm
- 2 fixing screws 4 mm hex
- 1 L-shaped 4 mm hex key
- 2 transparent cushions 1 mm thickness
- 2 transparent cushions 1,5 mm thickness
- 1 angle adjustment screws w/3 mm hex
- 1 L-shaped hex key 3 mm
- 3 wall plugs & 3 wall screws
- 1 drilling/cutting template

Finish

Chrome plated # 15.23.010

Packing

20 pcs per carton



SHOWER DOOR HINGE "ZUG" GLASS TO GLASS - 90°

Application

Suitable for glass doors/shower doors
Drilling/cutting required
W/angle adjustment function
W/25° return function (self-centering)

Opening: 180°

Max glass width: 800 mm

Load capacity: 18 kg per hinge

Glass thickness: 6 – 10 mm

Material

Brass

1 hinge consists of

- 1 hinge 55 x 80 mm
- 1 glass wall fixing plate 55 x 80 mm
- 4 hex screws 4 mm
- 1 L-shaped 4 mm hex key
- 4 transparent cushions 1 mm
- 8 transparent cushions 1,5 mm
- 1 angle adjustment screw w/4 mm hex
- 1 drilling/cutting template

Finish

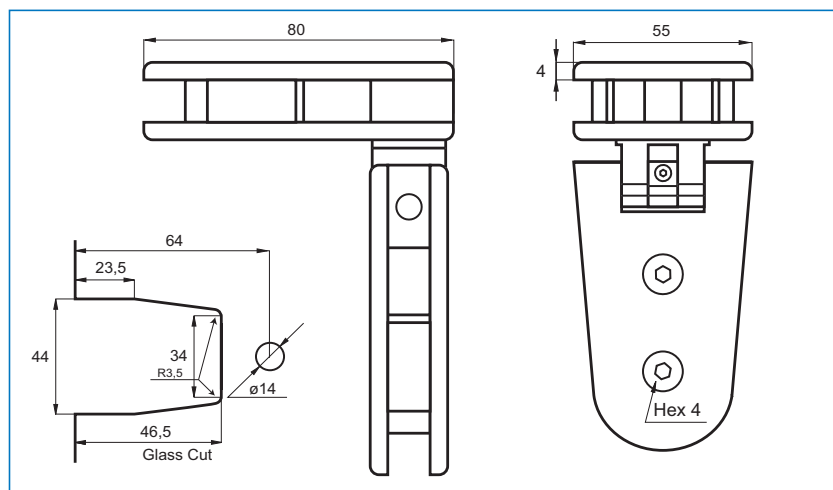
Chrome plated # 15.23.015

SS-Look # 15.23.016

Alu finish # 15.23.017

Packing

10 pcs per carton



SHOWER DOOR HINGE "ZUG" GLASS TO GLASS - 180°

Application

Suitable for glass doors/shower doors
Drilling/cutting required
W/angle adjustment function
W/25° return function (self-centering)

Opening: 180°

Max glass width: 800 mm

Load capacity: 18 kg per hinge

Glass thickness: 6 – 10 mm

Material

Brass

1 hinge consists of

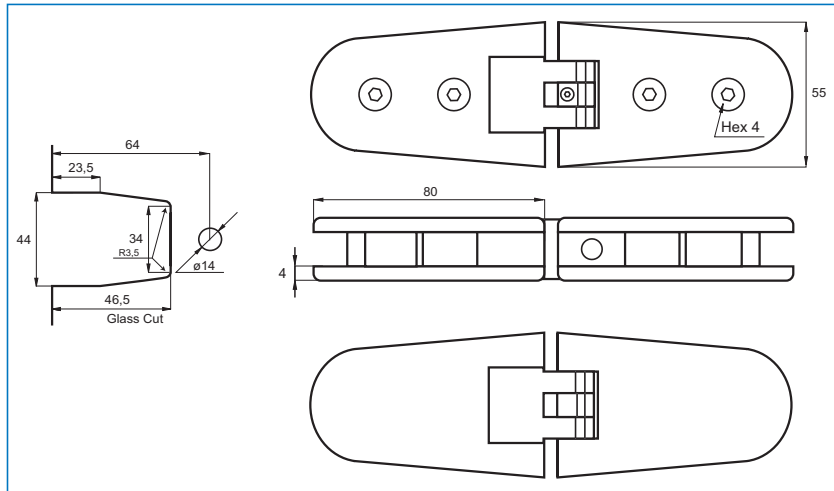
- 1 hinge 55 x 80 mm
- 1 glass wall fixing plate 55 x 80 mm
- 4 hex screws 4 mm
- 1 L-shaped 4 mm hex key
- 4 transparent cushions 1 mm
- 8 transparent cushions 1,5 mm
- 1 angle adjustment screw w/4 mm hex
- 1 drilling/cutting template

Finish

- Chrome plated # 15.23.020
- SS-Look # 15.23.021
- Alu finish # 15.23.022

Packing

10 pcs per carton



KLINGERSIL GASKETS FOR SHOWER DOOR HINGES - EASY MOUNTING

Application

To be used as gaskets for shower hinges.

Function

Anti-stick finish on both sides which makes mounting & adjustment of hinges easy.
Excellent resistance to low pressure steam & water
Excellent color resistance

Material

Aramid & glass fibres with a nitrile rubber binder.
Meets non-asbestos standard BS7531 Grade Y
Green/black color

Model LINZ & KING

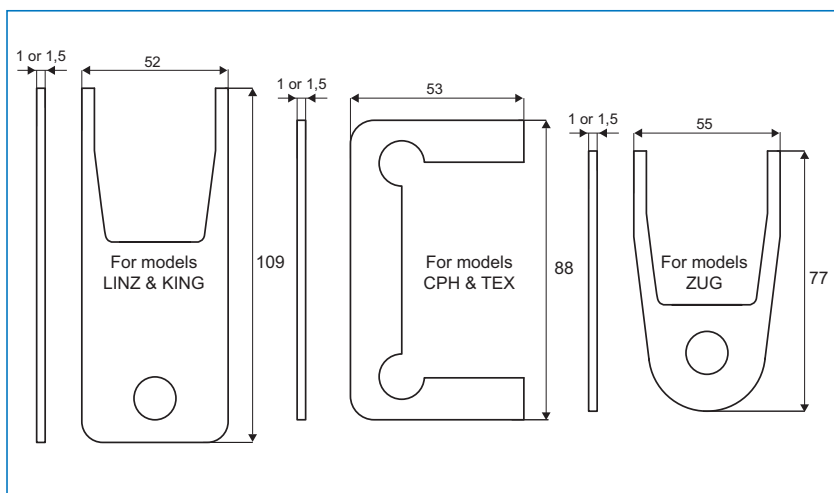
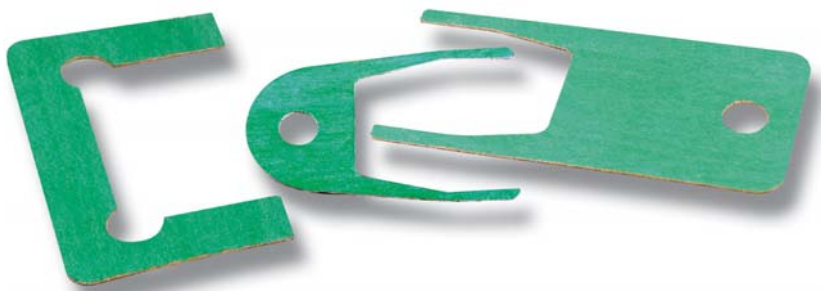
- Size: 102 x 57 mm
- 1 mm # 15.22.411
- 1,5 mm # 15.22.412

Model CPH & TEX

- Size: 88 x 53 mm
- 1 mm # 15.22.413
- 1,5 mm # 15.22.414

Model ZUG

- Size: 77 x 50 mm
- 1 mm # 15.22.415
- 1,5 mm # 15.22.416



SHOWER PIVOT HINGE FLOOR/GLASS „LODZ“

- high quality furniture fittings

SISO
DENMARK

Application

Suitable for glass door/shower doors
Top or bottom mounting,
drilling/cutting required
W/15° return function (self-centering)

Opening: 180°

Max glass width: 800 mm

Load capacity: 20 kg per hinge

Glass thickness: 8-10 mm

Material

Brass

1 hinge consists of

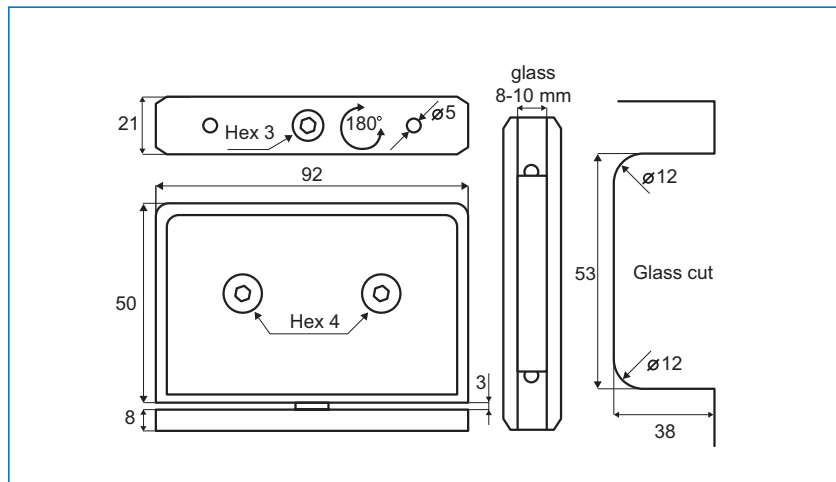
- 1 hinge 50 x 92 x 21 mm (H/W/D)
- 2 hex screws 4 mm
- 1 L-shaped 4 mm hex key
- 2 transparent cushions 1 mm thickness
- 2 transparent cushions 1,5 mm thickness
- 2 wall plugs
- 2 wall screws
- 1 drilling/cutting template

Finish

- SS-look # 15.23.900
- Alu-finish # 15.23.901
- Chrome plated # 15.23.902

Packing

10 pcs per carton



SHOWER PIVOT HINGE GLASS/GLASS „LODZ“

Application

Suitable for glass door/shower doors
Drilling/cutting required
W/15° return function (self-centering)

Features

Opening: 180°

Max glass width: 800 mm

Load capacity: 20 kg per hinge

Glass thickness: 8 - 10 mm

Material

Brass

1 hinge consists of

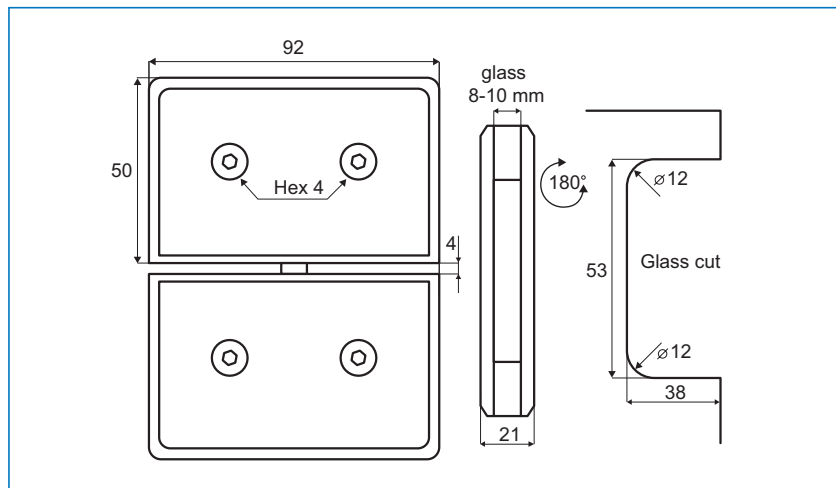
- 1 hinge 50 x 92 x 21 mm (H/W/D)
- 4 hex screws 4 mm
- 1 L-shaped 4 mm hex key
- 4 transparent cushions 1 mm thickness
- 4 transparent cushions 1,5 mm thickness
- 1 drilling/cutting template

Finish

- SS-look # 15.23.905
- Alu-finish # 15.23.906
- Chrome plated # 15.23.907

Packing

10 pcs per carton



GLASS CLAMP GLASS/GLASS 180° W/SQUARE CORNERS „BERN“

Application

Suitable for shower glass walls
Drilling required

Features

Glass thickness: 8 - 10 mm

Mounting

Glass \varnothing 12 mm drilling

Material

Brass

1 clamp consists of

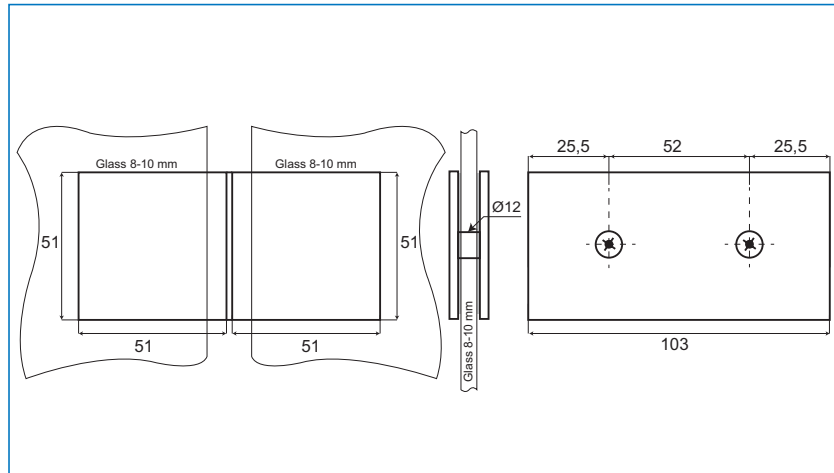
- 1 clamp 103 x 51 x 17 mm (H/W/D)
- 2 fixing PZD screws
- 4 transparent cushions 1 mm thickness
- 2 transparent tubes \varnothing 12 x 8 mm

Finish

- Chrome plated # 15.23.695
- SS-look # 15.23.696
- Alu-finish # 15.23.697

Packing

50 pcs per carton



GLASS CLAMP GLASS/GLASS 90° W/SQUARE CORNERS „BERN“

Application

Suitable for shower glass walls
Drilling required

Features

Glass thickness: 8 - 10 mm

Mounting

Glass \varnothing 12 mm drilling

Material

Brass

1 clamp consists of

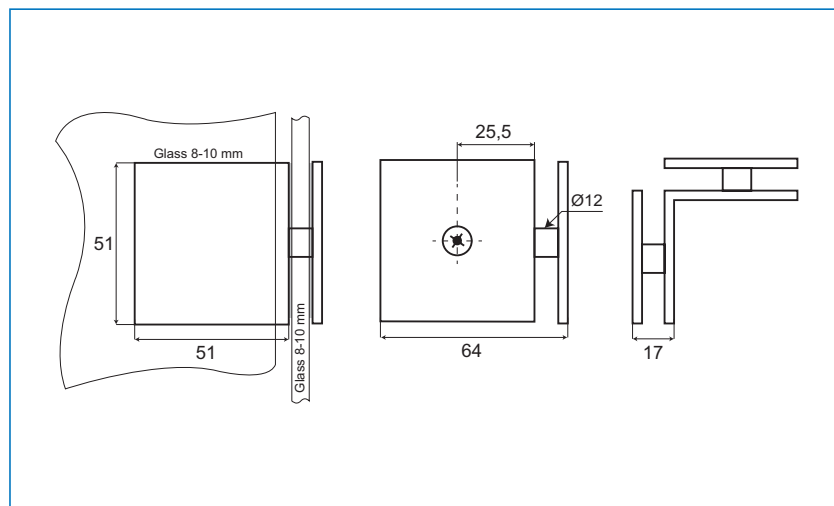
- 1 clamp 51 x 51 x 17 mm (H/W/D)
- 2 fixing PZD screws
- 4 transparent cushions 1 mm thickness
- 2 transparent tubes \varnothing 12 x 8 mm

Finish

- Chrome plated # 15.23.690
- SS-look # 15.23.691
- Alu-finish # 15.23.692

Packing

20 pcs per carton



GLASS CLAMP WALL/GLASS 180° W/SQUARE CORNERS „BERN“

- high quality furniture fittings

Application

Suitable for shower glass walls
Drilling required

Features

Glass thickness 8 - 10 mm

Mounting

Wall 2 x $\varnothing 5$ mm CSK screw holes
Glass $\varnothing 12$ mm drilling

Material

Brass

1 clamp consists of

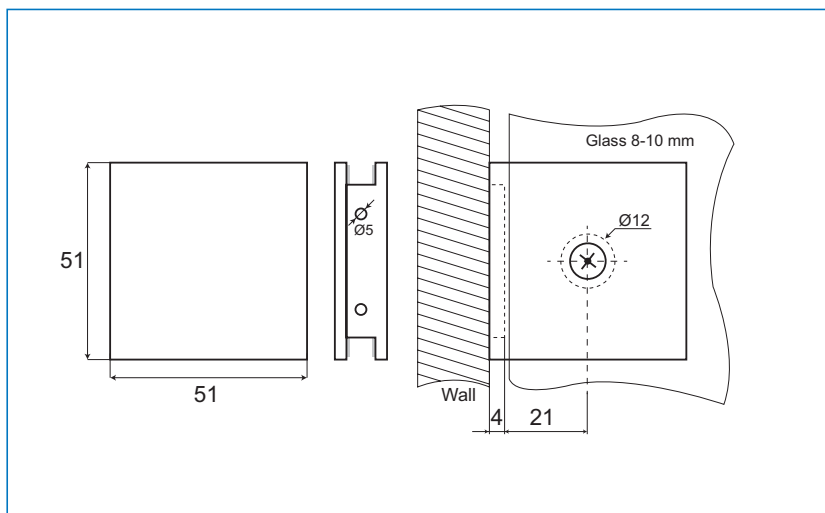
- 1 clamp 51 x 51 x 17 mm (H/W/D)
- 1 fixing PZD screws
- 2 transparent cushions 1 mm thickness
- 1 transparent tube $\varnothing 12$ x 8 mm
- 2 wall plugs
- 2 wall screws

Finish

- Chrome plated # 15.23.706
- SS-look # 15.23.705
- Alu-finish # 15.23.704

Packing

60 pcs per carton



GLASS CLAMP WALL/GLASS 90° W/SQUARE CORNERS „BERN“

Application

Suitable for shower glass walls
Drilling required

Features

Glass thickness 8 - 10 mm

Mounting

Wall: 1 x $\varnothing 5$ mm CSK screw holes
Glass: $\varnothing 12$ mm drilling

Material

Brass

1 clamp consists of

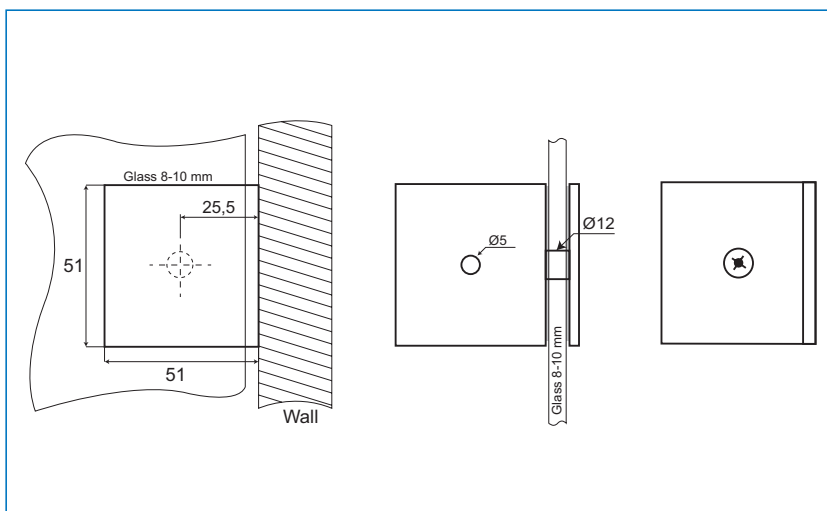
- 1 clamp 51 x 51 x 17 mm (H/W/D)
- 1 fixing PZD screws
- 2 transparent cushions 1 mm thickness
- 1 transparent tube $\varnothing 12$ x 8 mm
- 1 wall plug
- 1 wall screw

Finish

- Chrome plated # 15.23.700
- SS-look # 15.23.701
- Alu-finish # 15.23.702

Packing

20 pcs per carton



GLASS CLAMP WALL/GLASS 180° W/CHAMFERED EDGES „LUND“

Application

Suitable for shower glass walls
Drilling required

Features

Glass thickness 8 - 10 mm

Mounting

Wall: 1 x $\varnothing 5$ mm CSK screw holes
Glass: $\varnothing 12$ mm drilling

Material

Brass

1 clamp consists of

1 clamp 51 x 51 x 17 mm (H/W/D)

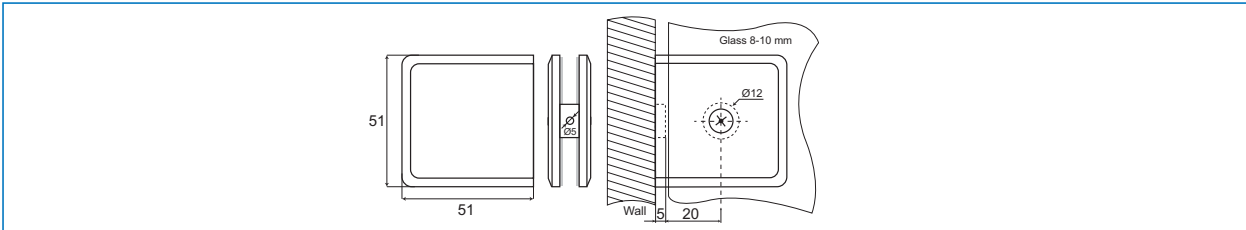
1 fixing PZD screws
2 transparent cushions 1 mm thickness
1 transparent tube $\varnothing 12$ x 8 mm
1 wall plug
1 wall screw

Finish

Chrome plated # 15.23.707
SS-look # 15.23.708
Alu-finish # 15.23.709

Packing

60 pcs per carton



GLASS CLAMP WALL/GLASS 90° W/CHAMFERED EDGES „LUND“

Application

Suitable for shower glass walls
Drilling required

Features

Glass thickness 8 - 10 mm

Mounting

Wall: 1 x $\varnothing 5$ mm CSK screw holes
Glass: $\varnothing 12$ mm drilling

Material

Brass

1 clamp consists of

1 clamp 51 x 51 x 17 mm (H/W/D)

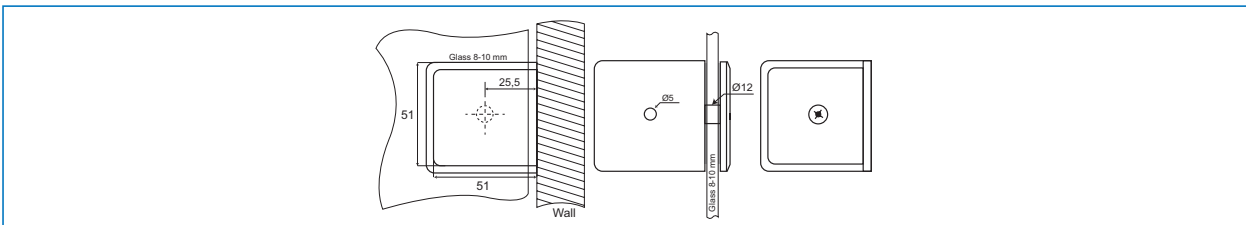
1 fixing PZD screws
2 transparent cushions 1 mm thickness
1 transparent tube $\varnothing 12$ x 8 mm
1 wall plug
1 wall screw

Finish

Chrome plated # 15.23.710
SS-look # 15.23.711
Alu-finish # 15.23.712

Packing

20 pcs per carton



GLASS GLAMP WALL/GLASS 90° W/ROUNDED CORNERS „HAM“

Application

Suitable for shower glass walls
Drilling required

Features

Glass thickness 8-10 mm
90° angle

Mouting

Wall: 1 x $\varnothing 5$ mm CSK screw holes
Glass: $\varnothing 12$ mm drilling

Material

Brass

1 clamp consists of

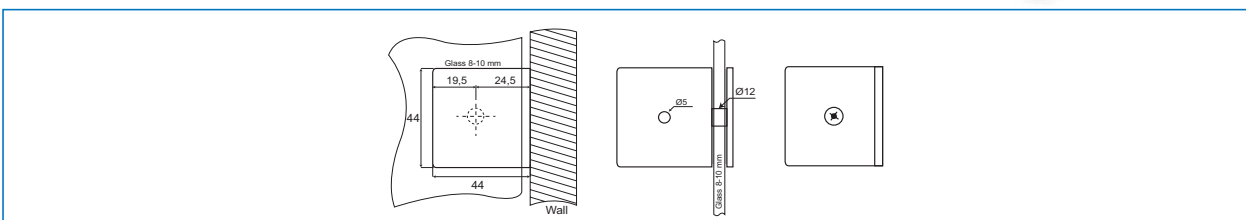
1 clamp 44 x 44 x 18 (H/W/D)
1 fixing PZD screws
4 transparent cushions 1 mm thickness
1 wall plug
1 wall screw
1 transparent tube $\varnothing 12$ X 8 mm

Finish

Chrome plated # 15.23.750

Packing

40 pcs per carton



GLASS CLAMP WALL/GLASS 180° W/ROUNDED CORNERS "HAM"

- high quality furniture fittings



Application

Suitable for shower glass walls
Drilling required

Features

Glass thickness 8 - 10 mm

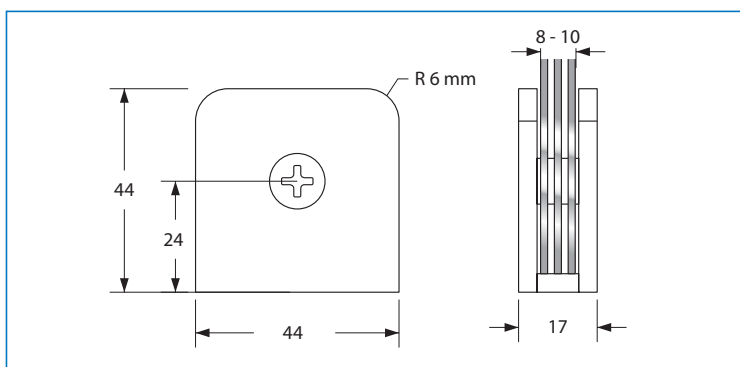
Material

Brass

- 1 clamp consists of
- 1 clamp 40 x 40 x 17 mm (H/W/D)
- 1 fixing PZD screws
- 2 transparent cushions 1 mm thickness
- 1 transparent tube \varnothing 12 x 8 mm
- 1 wall plug
- 1 wall screw

Finish:

- Chrome plated # 15.23.721
- SS-look # 15.23.722



SHOWER HINGE "UP/DOWN" FOR GLASS/GLASS

Application

Suitable for shower doors
Drilling required

Features

Left or right hand version
W/self closing function

Opening: 180 degree but with stop at 90 DG

Max glass width: 800 mm

Glass thickness: 6 - 8 mm

Load capacity: 20 kg

Material

Brass

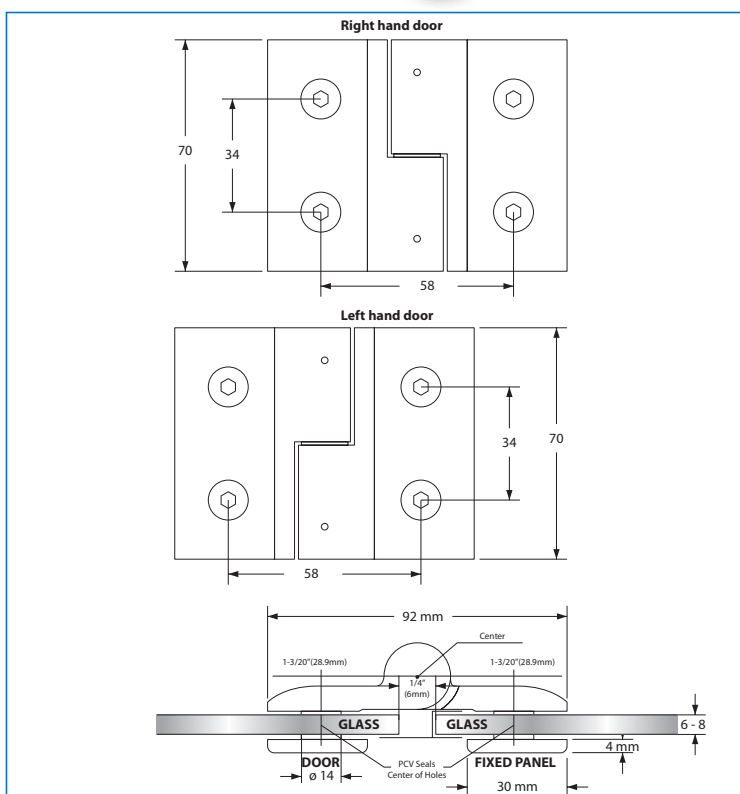
1 hinge consists of

- 1 hinge 70 x 92 mm (H/W)
- 4 fixing screws 4 mm hex
- 1 L-shaped hex key 4 mm
- 1 L-shaped hex key 2 mm

Finish:

- Left hand - Chrome plated # 15.23.100
- Left hand - SS-look # 15.23.101
- Left hand - Alu finish # 15.23.102

- Right hand - Chrome plated # 15.23.105
- Right hand - SS-look # 15.23.106
- Right hand - Alu finish # 15.23.107



ALUMINIUM LIFT HINGE

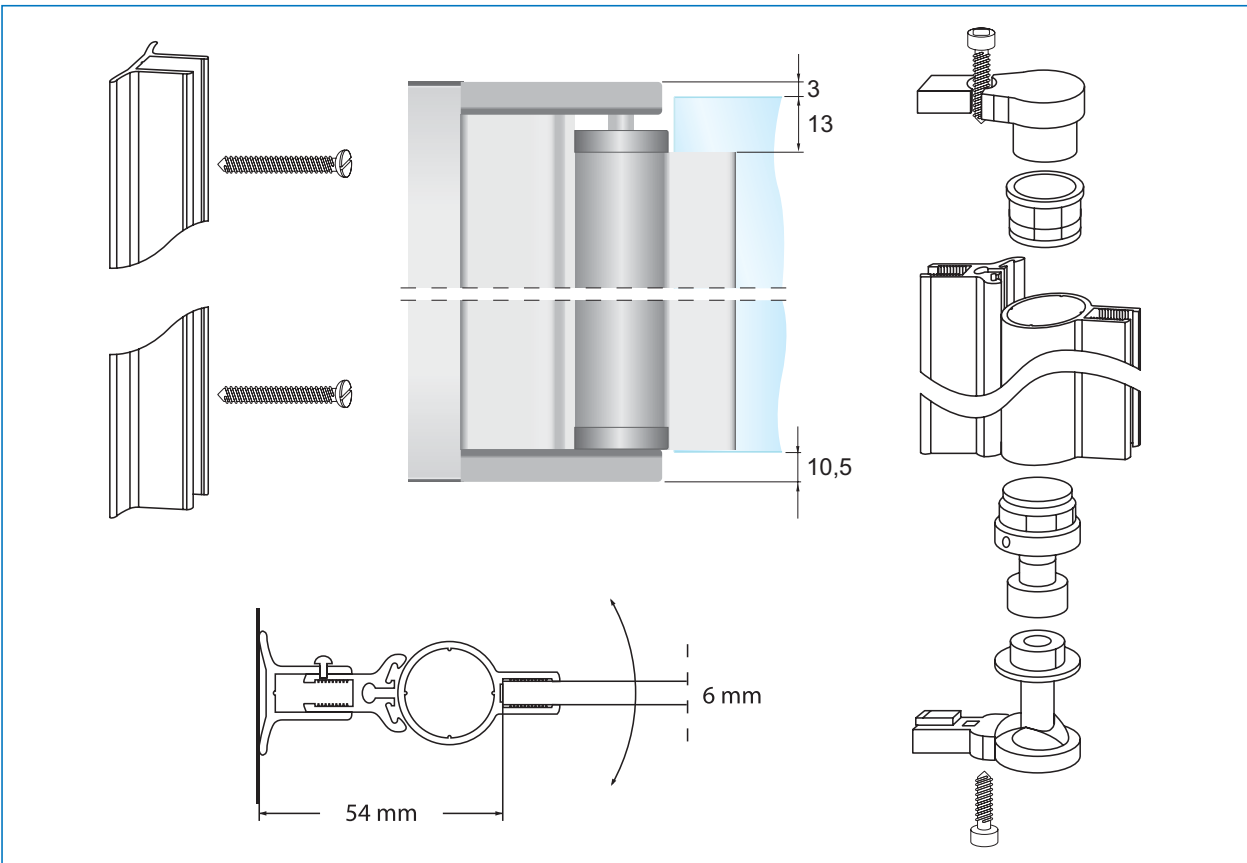
Application
 Suitable for shower doors
 With 3 mm lift-up & 0° adjustment
 function

Opening: 110°
Max glass size: 1900 x 800 mm
Load capacity: 23 kg
Glass thickness: 6 mm

Material
 Aluminium

Models	Finish	Item No.
1,5 meters	anodized	# 15.23.005
1,5 meters	chrome pl.	# 15.23.006
1,5 meters	white paint.	# 15.23.007
1,9 meters	anodized	# 15.23.000
1,9 meters	chrome pl.	# 15.23.001
1,9 meters	white paint.	# 15.23.002
2,1 meters	chrome pl.	# 15.23.001-9

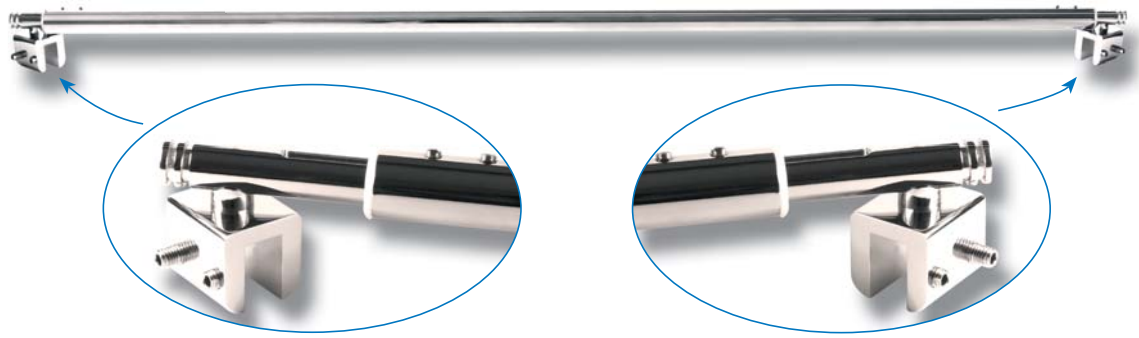
Packing
 1 complete assembled set per carton



SHOWER SUPPORT BAR SOLID BRASS - GLASS TO GLASS

- high quality furniture fittings

SISO
DENMARK



Application

Suitable for connecting glass to wall.

No glass drilling required.

Extendable from 1050 - 1350 mm

Glass thickness 8 - 10 mm

Material

Brass

1 support bar consists of:

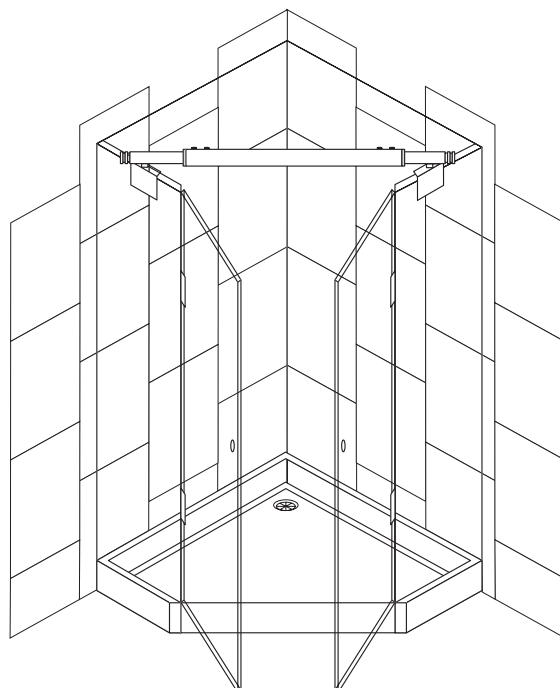
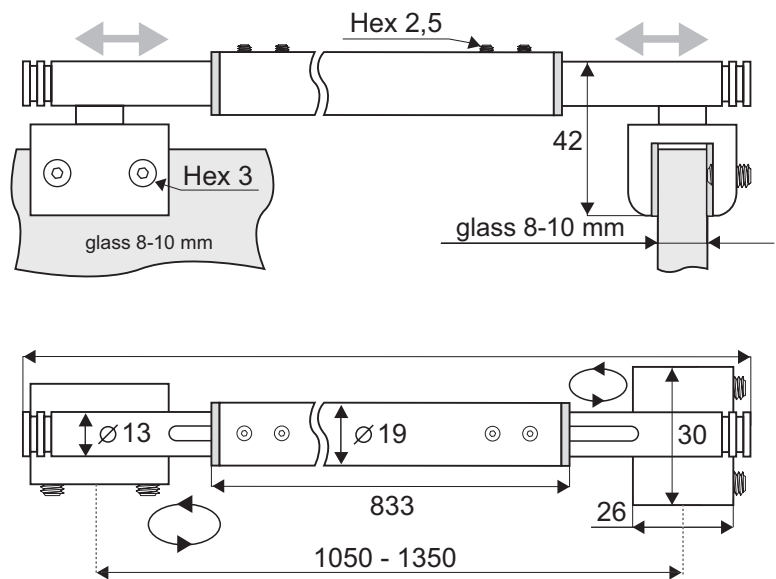
- 1 bar $\varnothing 19 \times 1050$ to 1350 mm
- w/2 tightening screws 2,5 mm hex
- 1 L-shaped hex key 2,5 mm
- 2 glass mounting bracket 30 X 26 mm
- w/2 tightening screws 3 mm hex
- 1 L-shaped hex key 3 mm
- 4 transparent cushions 1 mm thickness

Finish

Chrome plated # 15.24.021

Packing

10 pcs per cartoon



SHOWER SUPPORT BAR SOLID BRASS - WALL TO GLASS



Application

Suitable for connecting glass to wall.
No glass drilling required.
Extendable from 970 - 1150 mm.
Glass thickness 8 - 10 mm.

Material

Brass

1 support bar consists of:

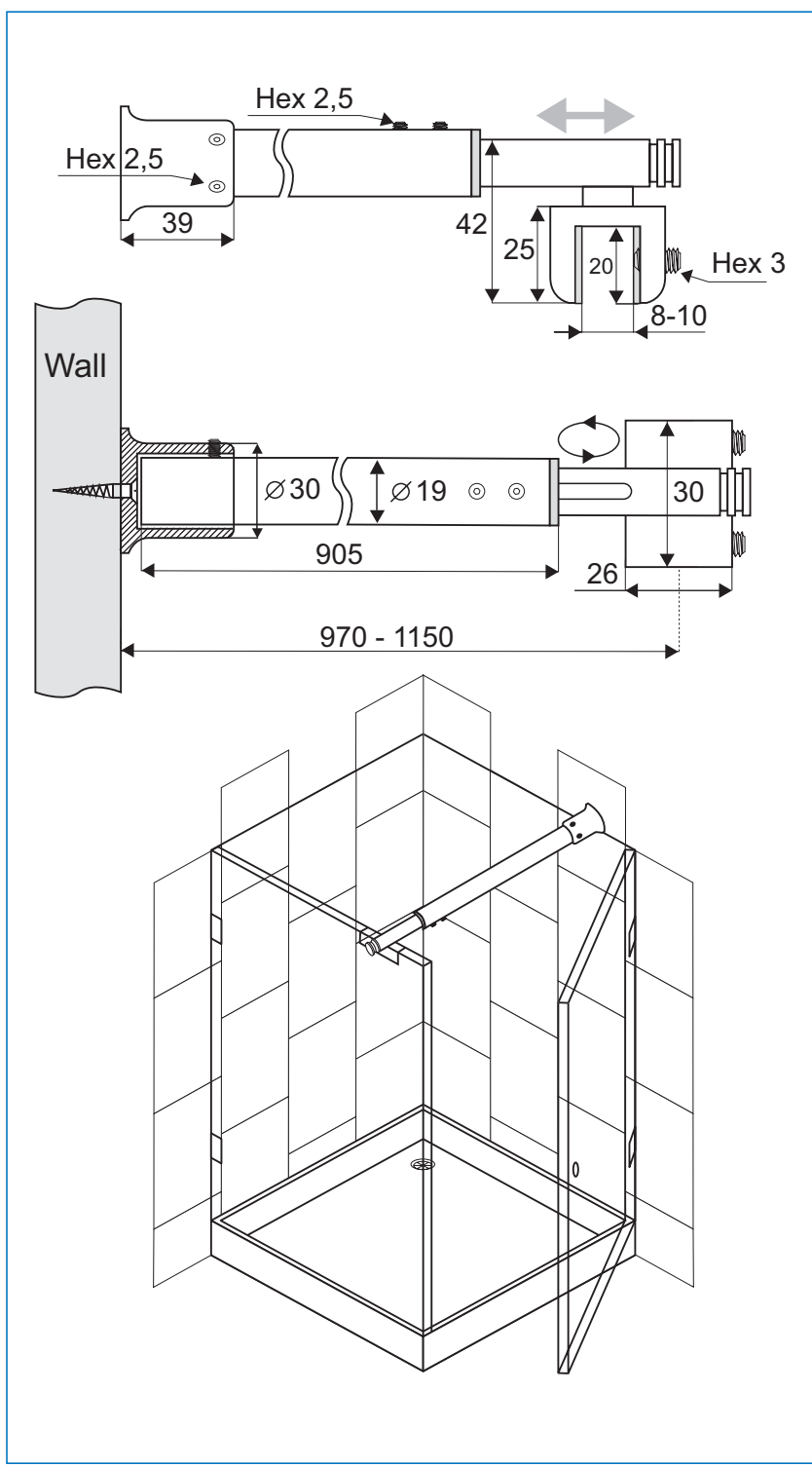
- 1 bar $\varnothing 19 \times 970 - 1150$ mm
- w/2 tightening screws 2,5 mm hex
- 1 wall mounting rosette $\varnothing 37$ mm
- w/2 tightening screws 2,5 mm hex
- 1 L-shaped hex key 2,5 mm
- 1 wall plug
- 1 wall screw
- 1 glass mounting bracket 30 X 26 mm
- w/2 tightening screws 3 mm hex
- 1 L-shaped hex key 3 mm
- 2 transparent cushions 1 mm thickness

Finish

Chrome plated # 15.24.020

Packing

10 pcs per carton



SHOWER SUPPORT BAR WALL TO GLASS 45° ANGLE

- high quality furniture fittings



Application

Suitable for connecting glass to wall.
No glass drilling required.
Extendable from 240 - 400 mm
Glass thickness 8 - 10 mm

Material

Brass

1 support bar consists of:

- 1 bar $\varnothing 19 \times 240$ to 400 mm
- w/2 tightening screws 2,5 mm hex
- 1 wall mounting bracket 45° angle
- w/1 tightening screws 2,5 mm hex
- 1 L-shaped hex key 2,5 mm
- 1 wall screw
- 1 wall plug
- 1 glass mounting bracket 30 x 25 mm
- w/2 tightening screws 4 mm hex
- 1 L-shaped hex key 4 mm
- 1 transparent cushions 1 mm thick

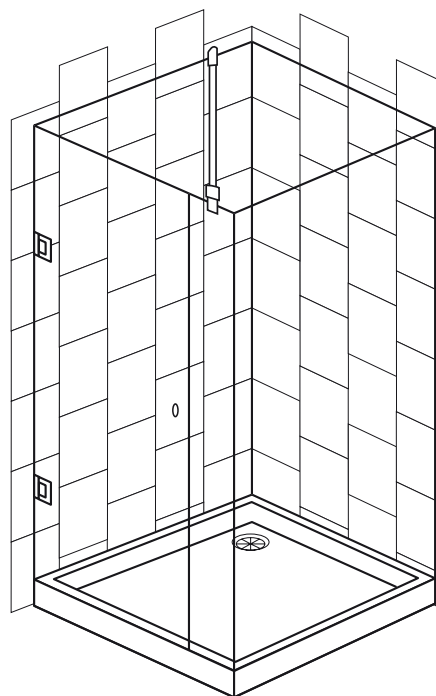
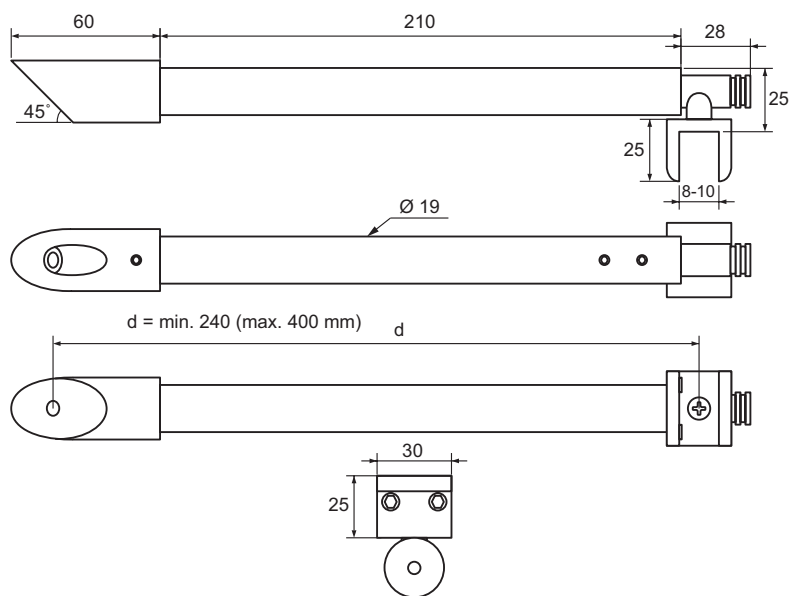
Finish

Chrome plated

Item No: # 15.24.025

Packing

20 pcs per cartoon



BAR TO GLASS BRACKET W/OPEN BAR HOLE

Application

Connection fitting for shower bars
No drilling required
For $\varnothing 19$ mm bar
Glass thickness 8 - 10 mm

Material

Brass

Finish

Chrome plated # 15.24.103

Inclusive

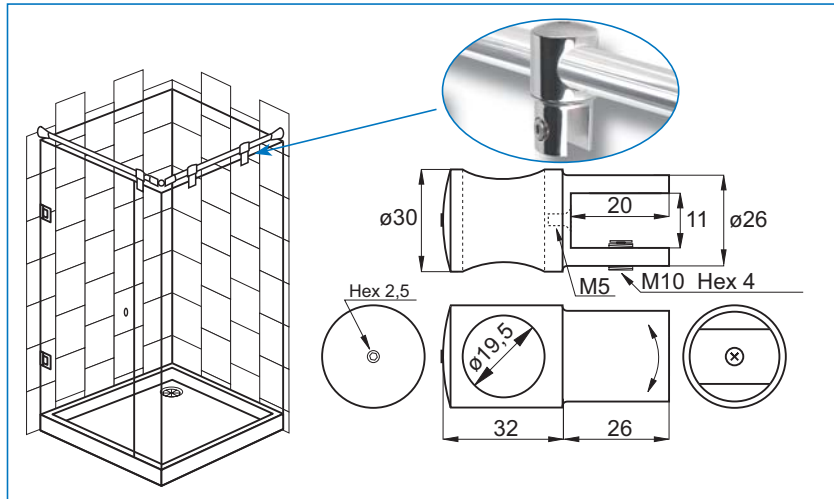
1 hex key 2,5 mm
1 transparent cushion 1 mm thickness

Packing

60 pcs per carton

Optional

Shower bar brass, CPL
 $\varnothing 19$ x 1000 mm # 15.24.120
 $\varnothing 19$ x 1300 mm # 15.24.121



BAR TO GLASS END BRACKET W/CLOSED BAR HOLE

Application

Connection fitting for shower bars
No drilling required
For $\varnothing 19$ mm bar
Glass thickness 8 - 10 mm

Material

Brass

Finish

Chrome plated # 15.24.102

Inclusive

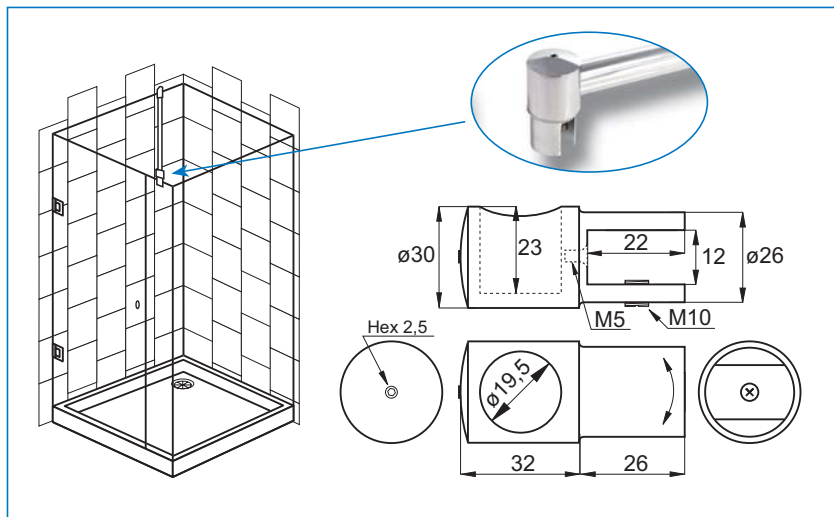
1 hex key 2,5 mm
1 transparent cushion 1 mm thickness

Packing

60 pcs per carton

Optional

Shower bar brass, CPL
 $\varnothing 19$ x 1000 mm # 15.24.120
 $\varnothing 19$ x 1300 mm # 15.24.121



BAR TO WALL BRACKET W/45° ANGLE

- high quality furniture fittings



Application

Connection fitting for shower bars
No drilling required
For $\varnothing 19$ mm bar

Material

Brass

Finish

Chrome plated # 15.24.101

Inclusive

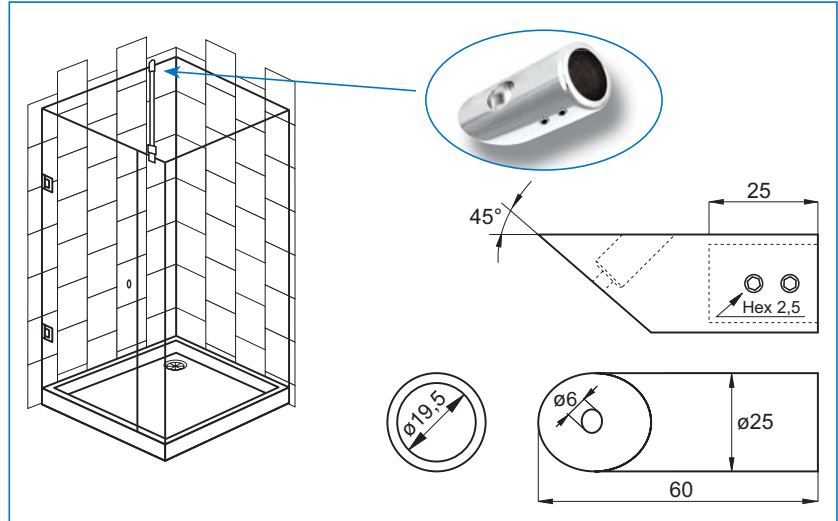
1 hex key 2,5 mm
1 wall plug
1 wall screw

Packing

60 pcs per carton

Optional

Shower bar brass, CPL
 $\varnothing 19 \times 1000$ mm # 15.24.120
 $\varnothing 19 \times 1300$ mm # 15.24.121



BAR TO WALL BRACKET W/FLAT BACK

Application

Connection fitting for shower bars
No drilling required
For $\varnothing 19$ mm bar

Material

Brass

Finish

Chrome plated # 15.24.100

Inclusive

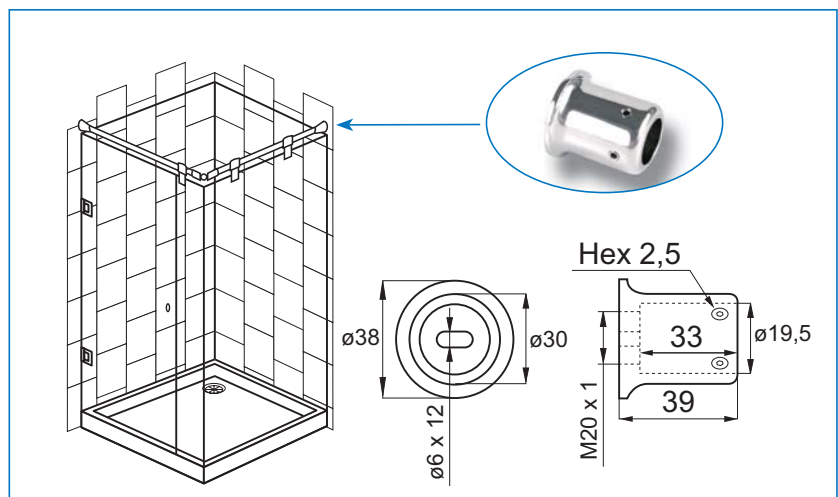
1 hex key 2,5 mm
1 wall plug
1 wall screw

Packing

60 pcs per carton

Optional

Shower bar brass, CPL
 $\varnothing 19 \times 1000$ mm # 15.24.120
 $\varnothing 19 \times 1300$ mm # 15.24.121



BAR TO BAR BRACKET T-SHAPED F/3 BAR CONNECTION

Application
 Connection fitting for shower bars
 No drilling required
 For $\varnothing 19$ mm bar
 90° connection

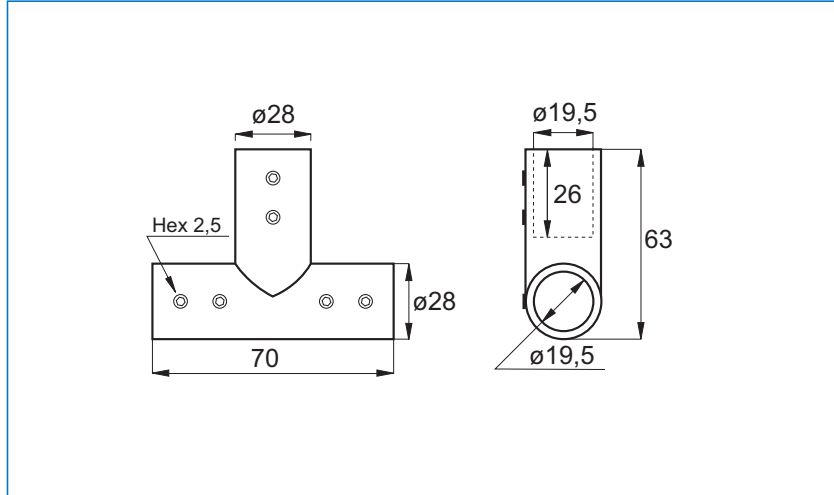
Material
 Brass

Finish
 Chrome plated # 15.24.105

Inclusive
 1 hex key 2,5 mm

Packing
 10 pcs per carton

Optional
 Shower bar brass, CPL
 $\varnothing 19 \times 1000$ mm # 15.24.120
 $\varnothing 19 \times 1300$ mm # 15.24.121



BAR TO BAR BRACKET W/SWIVEL LINKAGE

Application
 Connection fitting for shower bars
 No drilling required
 For $\varnothing 19$ mm bar
 Adjusted to any degree

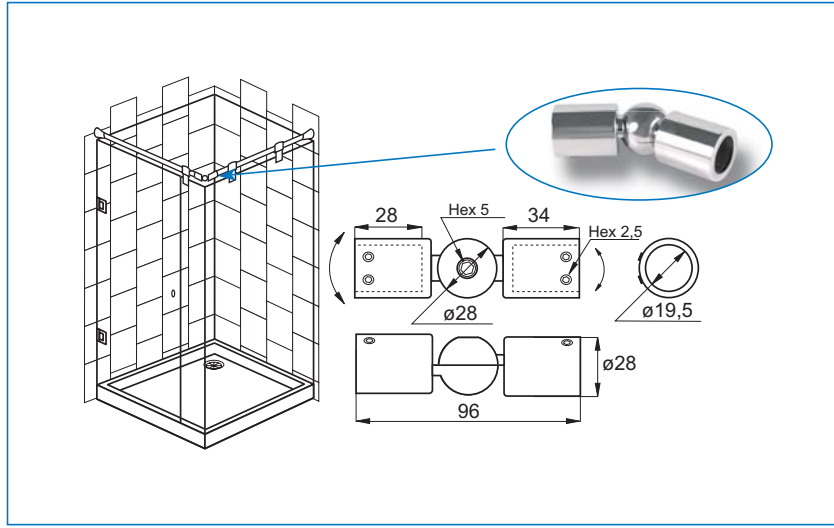
Material
 Brass

Finish
 Chrome plated # 15.24.104

Inclusive
 1 hex key 2,5 mm
 1 hex key 5 mm

Packing
 20 pcs per carton

Optional
 Shower bar brass, CPL
 $\varnothing 19 \times 1000$ mm # 15.24.120
 $\varnothing 19 \times 1300$ mm # 15.24.121



BAR TO BAR CONNECTOR 90°

- high quality furniture fittings



Application

Connection fitting for shower bars
No drilling required
90° connection
F/∅19mm tubes

Material

Brass

Finish

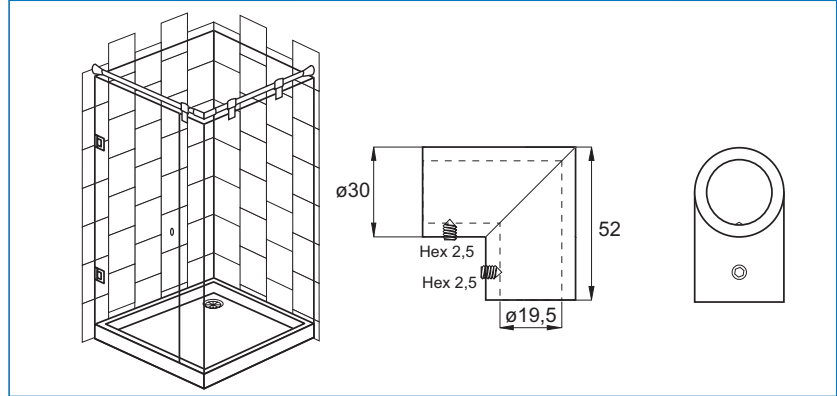
Chrome plated # 15.24.107

Packing

40 pcs per carton

Optional

Shower bar brass, CPL
∅19 x 1000 mm #15.24.120
∅19 x 1300 mm #15.24.121



GLASS TO BAR CEILING CONNECTOR

Application

Connection fitting for shower bars
No drilling required
F/glass thickness 8 – 10 mm
F/∅19mm tubes

Material

Brass

Finish

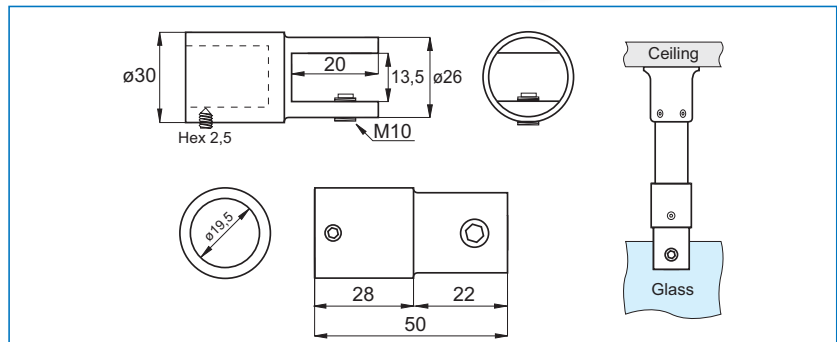
Chrome plated # 15.24.108

Packing

40 pcs per carton

Optional

Shower bar brass, CPL
∅19 x 1000 mm #15.24.120
∅19 x 1300 mm #15.24.121



BAR TO GLASS WALL BRACKET

Application

Connection fitting for shower bars
Drilling required – ∅10 mm
F/glass thickness 8 – 10 mm
F/∅19 mm tubes

Material

Brass

Finish

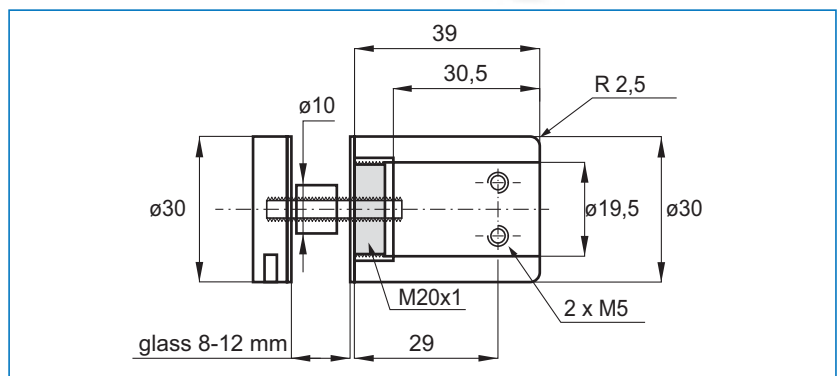
Chrome plated # 15.24.110
Alu finish # 15.24.111
SS-Look # 15.24.112

Packing

40 pcs per carton

Optional

Shower bar brass, CPL
∅19 x 1000 mm # 15.24.120
∅19 x 1300 mm # 15.24.121



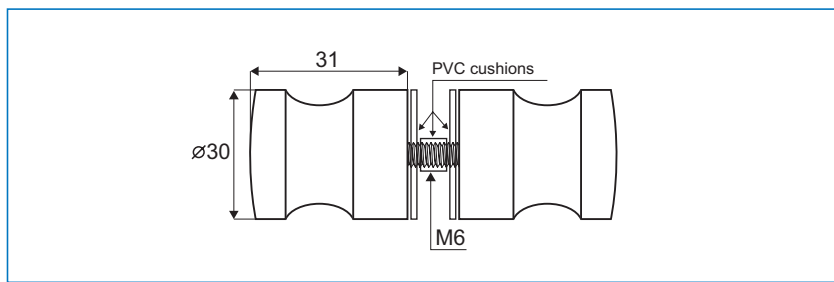
DOOR KNOB „WIEN“

Material
Brass

Size: $\varnothing 30 \times 31$ mm
Bore hole: $\varnothing 10$ mm
Glass thickness: 6 - 12 mm

SS-look # 15.24.046
 Chrome plated # 15.24.045
 Alu-finish # 15.24.047

Packing
60 pairs per carton



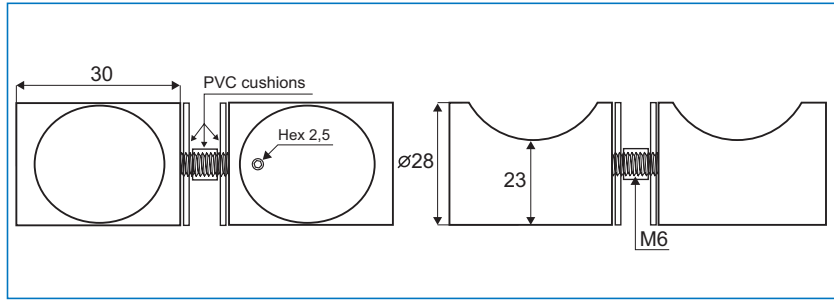
DOOR KNOB „CORK“

Material
Brass

Size: $\varnothing 28 \times 30$ mm
Bore hole: $\varnothing 10$ mm
Glass thickness: 6 - 12 mm

Chrome plated # 15.24.065

Packing
60 pairs per carton



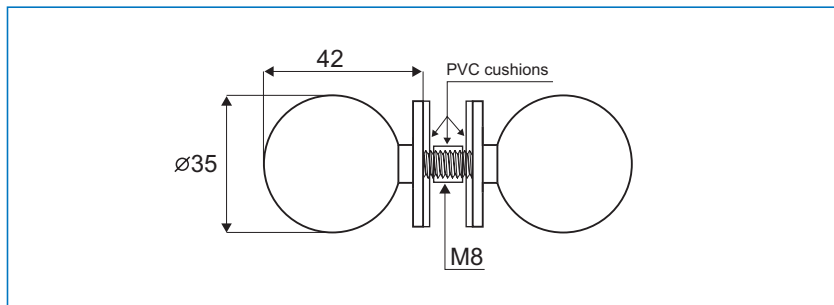
DOOR KNOB „PARIS“

Material
Brass

Size: $\varnothing 35 \times 42$ mm
Bore hole: $\varnothing 12$ mm
Glass thickness: 8 - 12 mm

SS-look # 15.24.081
 Chrome plated # 15.24.080
 Alu-finish # 15.24.082

Packing
30 pairs per carton



DOOR KNOB „OSLO“

- high quality furniture fittings

Material
Brass

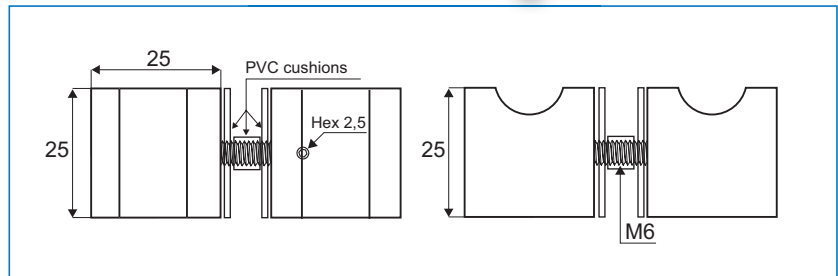
Size: 25 x 25 mm
Bore hole: \varnothing 10 mm
Glass thickness: 6 - 12 mm

SS-look # 15.24.035
Chrome plated # 15.24.036
Alu-finish # 15.24.037

Packing
60 pairs per carton



Not for sale in Germany



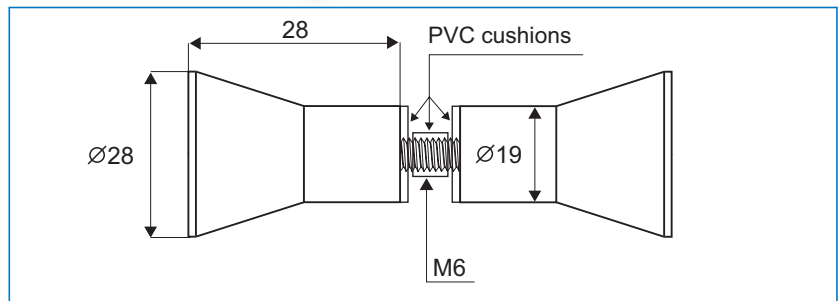
DOOR KNOB „PORTO“

Material
Brass

Size: \varnothing 28 x 28 mm
Bore hole: \varnothing 10 mm
Glass thickness: 6 - 12 mm

SS-look # 15.24.041
Chrome plated # 15.24.040
Alu-finish # 15.24.042

Packing
60 pairs per carton



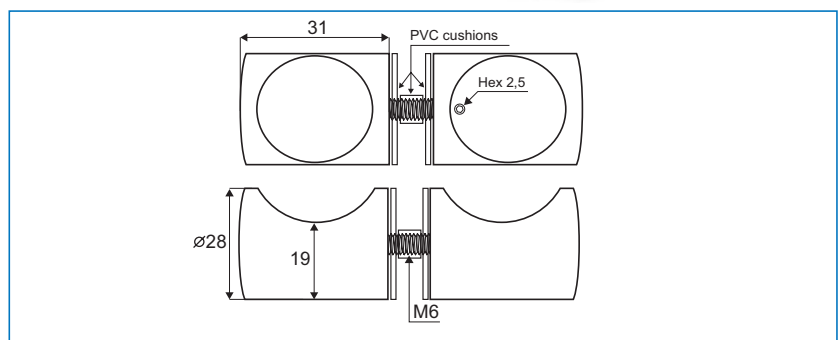
DOOR KNOB „HAAG“

Material
Brass

Size: \varnothing 28 x 31 mm
Bore hole: \varnothing 10 mm
Glass thickness: 6 - 12 mm

SS-look # 15.24.030
Chrome plated # 15.24.031
Alu-finish # 15.24.032

Packing
60 pairs per carton



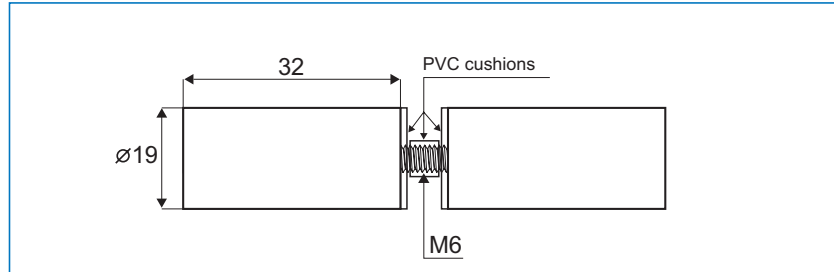
DOOR KNOB „LYON“

Material
Brass

Size: $\varnothing 19 \times 32$ mm
Bore hole: $\varnothing 10$ mm
Glass thickness: 6 - 12 mm

SS-look # 15.24.086
Chrome plated # 15.24.085
Alu-finish # 15.24.087

Packing
60 pairs per carton



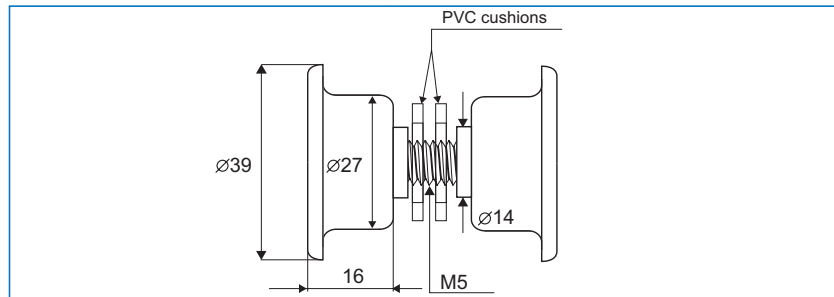
DOOR KNOB „KIEL“

Material
Brass

Size: $\varnothing 39 \times 16$ mm
Bore hole: $\varnothing 14$ mm
Glass thickness: 6 - 12 mm

Chrome plated # 15.24.090

Packing
60 pairs per carton



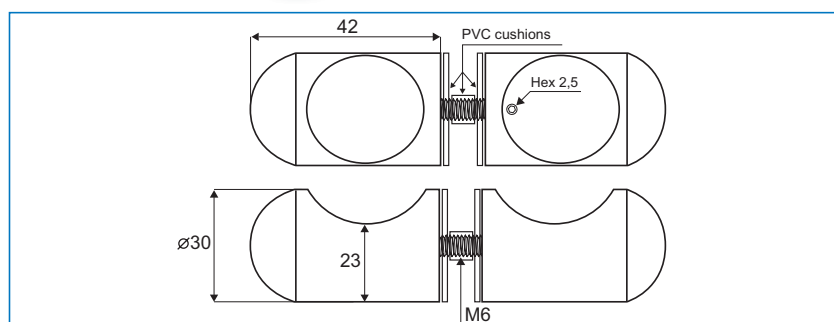
DOOR KNOB „EUTIN“

Material
Brass

Size: $\varnothing 30 \times 42$ mm
Bore hole: $\varnothing 10$ mm
Glass thickness: 6 - 12 mm

Chrome plated # 15.24.095

Packing
60 pairs per carton



DOOR BAR HANDLE LOCKS SS-304 F/GLASS DOORS

- high quality furniture fittings



Application

For locking of glass doors by use of key or turn knob. Suitable for 8-12 mm glass

Specifications

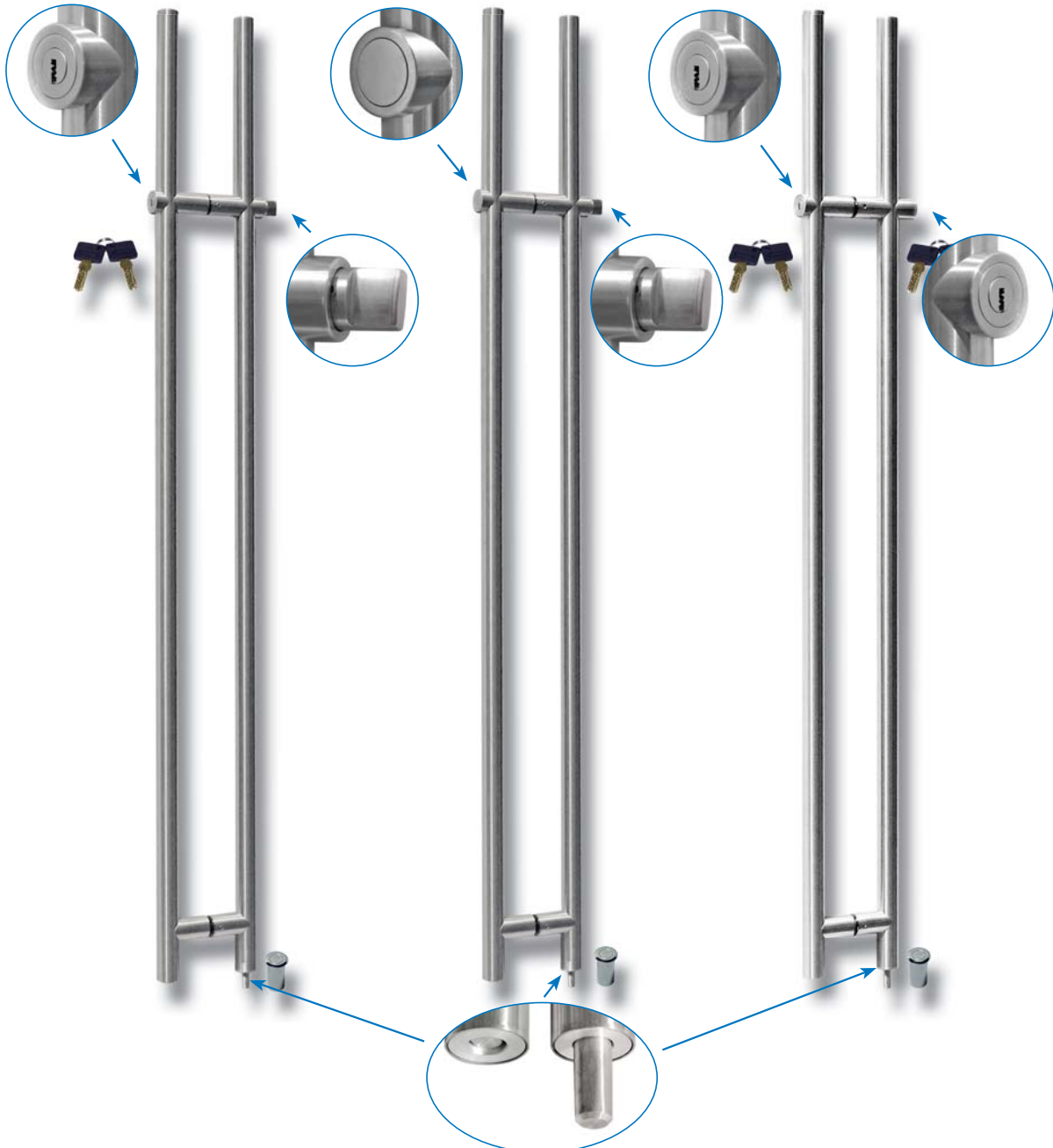
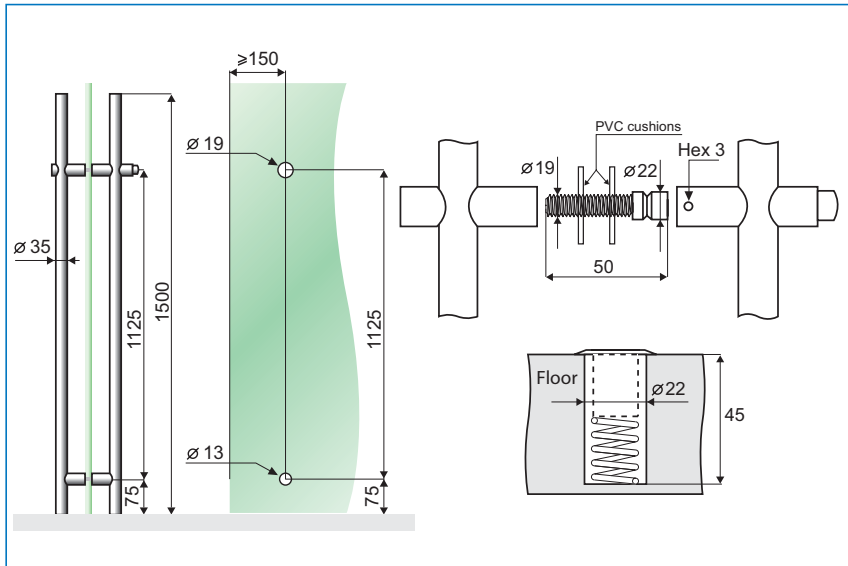
Bar handle \varnothing 35 x 1500 mm
Incl. floor socket w/spring dust cover
Cylinder with 5 SISO metal keys or turn knob
5000 KD on cylinder version

Material

Stainless steel SS-304 - brushed

Item No:

W/cylinder & knob # 14.60.600
W/knob on one side # 14.60.610
W/cylinder on 2 sides # 14.60.615



GLASS DOOR BAR HANDLE SS-304 „ODER“

Application:

For glass doors, drilling required

Material:

Hollow stainless steel tube 304, brushed

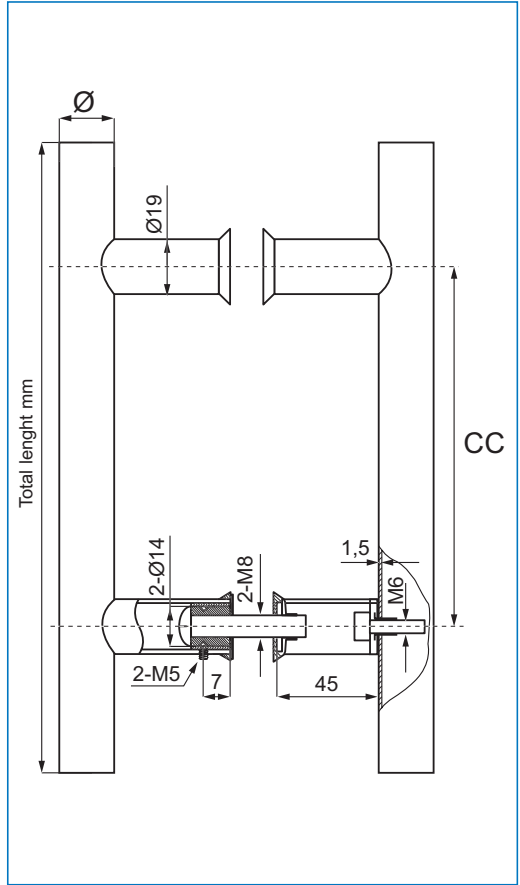
Bore hole: $\varnothing 12$ mm

Glass thickness: 8-12 mm

Item No:

$\varnothing 25$ x 300mm, cc:200	# 17.87.000
$\varnothing 25$ x 400mm, cc:300	# 17.87.006
$\varnothing 25$ x 500mm, cc:350	# 17.87.003
$\varnothing 25$ x 710mm, cc:520	# 17.87.007
$\varnothing 25$ x 1000mm, cc:600	# 17.87.030
$\varnothing 25$ x 1230mm, cc:520-520	# 17.87.008
$\varnothing 25$ x 1750mm, cc:520-520-520	# 17.87.009
$\varnothing 32$ x 450mm, cc:300	# 17.87.010
$\varnothing 32$ x 550mm, cc:400	# 17.87.016
$\varnothing 32$ x 600mm, cc:400	# 17.87.020

Inclusive transparent tube & washers



DOOR D-HANDLE SS-304 „MAIN“

Application

For glass doors
Drilling required

Material

Hollow stainless steel tube 304

Bore hole: $\varnothing 12$ mm

Glass thickness: 8 - 12 mm

$\varnothing 25$ x 330 mm, c.c.: 305 mm, H: 74 mm

Polished # 17.87.090

Brushed # 17.87.091

$\varnothing 25$ x 465 mm, c.c.: 450 mm, H: 74 mm

Polished # 17.87.094

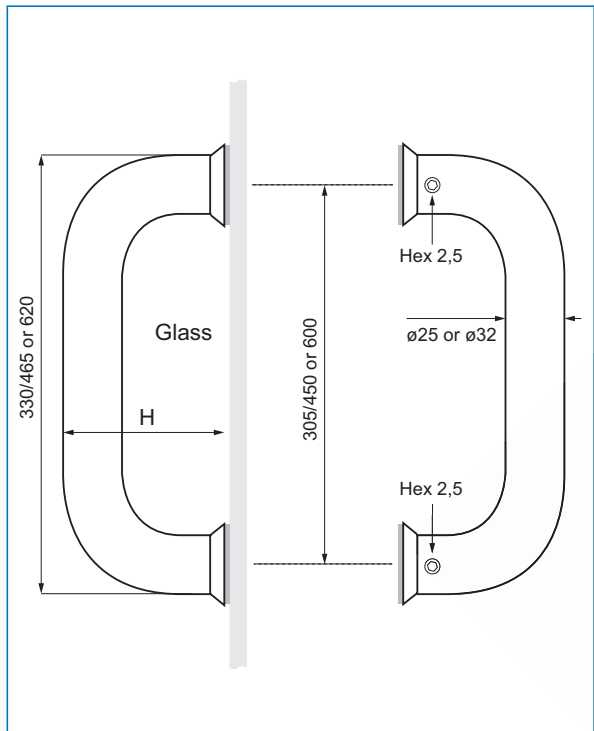
Brushed # 17.87.095

$\varnothing 32$ x 620 mm, c.c.: 600 mm, H: 82 mm

Polished # 17.87.101

Brushed # 17.87.102

Inclusive transparent tube & washers



DOOR HANDLE SS-304 "MOSEL"

- high quality furniture fittings

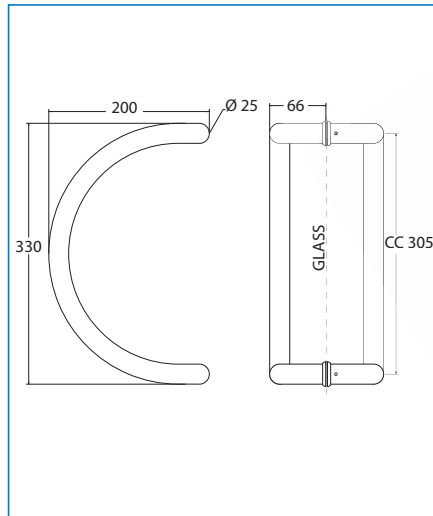
Application:
For glass doors
Drilling required

Material:
Hollow stainless steel tube 304,
brushed

Bore hole: \varnothing 12 mm
Glass thickness: 8 - 12 mm

\varnothing 25 x 330 mm c.c.: 305 mm
Polished # 17.87.105
Brushed # 17.87.106

Inclusive transparent
tube & washers



DOOR HANDLE SS-304 "VOLGA"

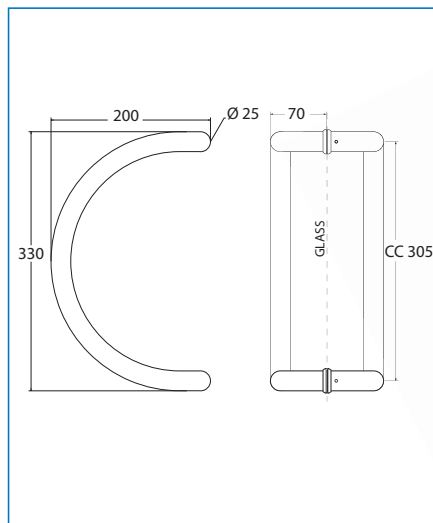
Application:
For glass doors
Drilling required

Material:
Hollow stainless steel tube 304,
brushed

Bore hole: \varnothing 12 mm
Glass thickness: 8 - 12 mm

\varnothing 25 x 330 mm c.c.: 305 mm
Polished # 17.87.109
Brushed # 17.87.110

Inclusive transparent
tube & washers



DOOR HANDLE SS-304 "PO"

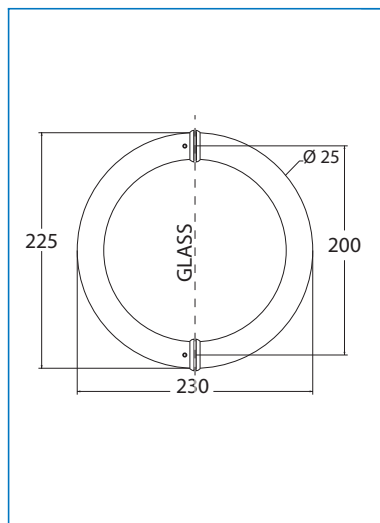
Application:
For glass doors
Drilling required

Material:
Hollow stainless steel tube 304,
brushed

Bore hole: \varnothing 12 mm
Glass thickness: 8 - 12 mm

\varnothing 25 x 225 mm c.c.: 200 mm
Polished # 17.87.119
Brushed # 17.87.120

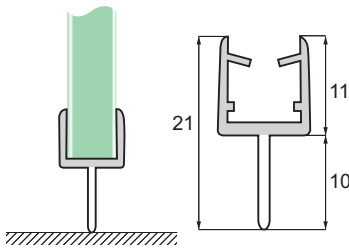
Inclusive transparent
tube & washers



PVC SEALS FOR SHOWER DOORS

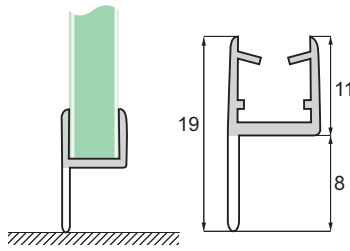
6 - 12 MM GLASS

Glass to Floor S-5701



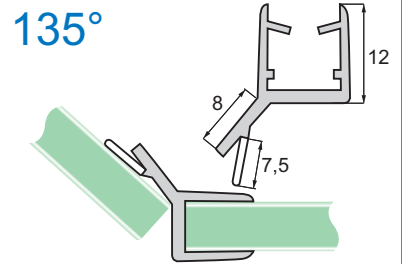
6 mm	2,5 meter	15.22.260
8 mm	2,5 meter	15.22.261
10 mm	2,5 meter	15.22.262
12 mm	2,5 meter	15.22.263

Glass to Floor S-5702



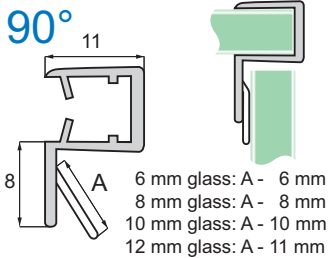
6 mm	2,5 meter	15.22.265
8 mm	2,5 meter	15.22.266
10 mm	2,5 meter	15.22.267
12 mm	2,5 meter	15.22.268

Glass to Glass S-5703



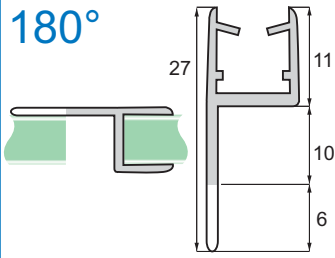
6 mm	2,5 meter	15.22.270
8 mm	2,5 meter	15.22.271
10 mm	2,5 meter	15.22.272
12 mm	2,5 meter	15.22.273

Glass to Glass S-5704



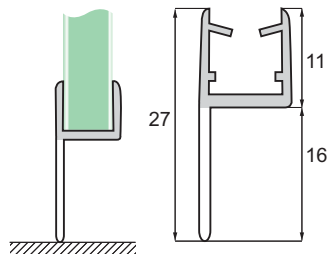
6 mm	2,5 meter	15.22.275
8 mm	2,5 meter	15.22.276
10 mm	2,5 meter	15.22.277
12 mm	2,5 meter	15.22.278

Glass to Glass S-5705



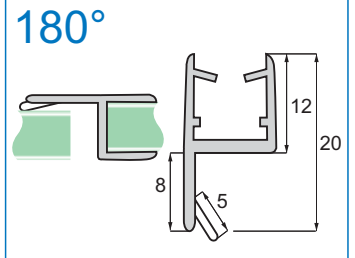
6 mm	2,5 meter	15.22.280
8 mm	2,5 meter	15.22.281
10 mm	2,5 meter	15.22.282
12 mm	2,5 meter	15.22.283

Glass to Floor S-5714



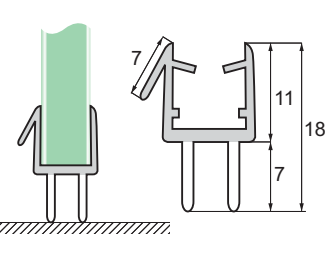
6 mm	2,5 meter	15.22.320
8 mm	2,5 meter	15.22.321
10 mm	2,5 meter	15.22.322
12 mm	2,5 meter	15.22.323

Glass to Glass S-5706



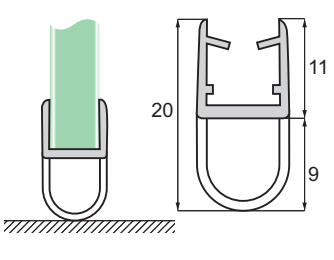
6 mm	2,5 meter	15.22.285
8 mm	2,5 meter	15.22.286
10 mm	2,5 meter	15.22.287
12 mm	2,5 meter	15.22.288

Glass to Floor S-5707



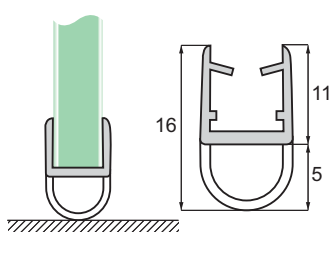
6 mm	2,5 meter	15.22.290
8 mm	2,5 meter	15.22.291
10 mm	2,5 meter	15.22.292
12 mm	2,5 meter	15.22.293

Glass to Floor S-5708



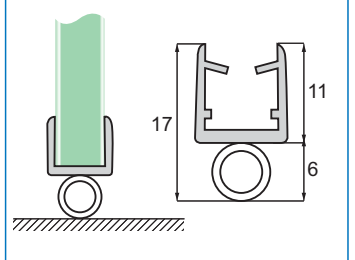
6 mm	2,5 meter	15.22.295
8 mm	2,5 meter	15.22.296
10 mm	2,5 meter	15.22.297
12 mm	2,5 meter	15.22.298

Glass to Floor S-5715



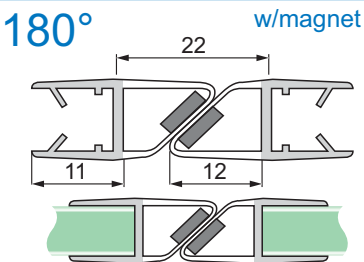
6 mm	2,5 meter	15.22.324
8 mm	2,5 meter	15.22.325
10 mm	2,5 meter	15.22.326
12 mm	2,5 meter	15.22.327

Glass to Floor S-5709



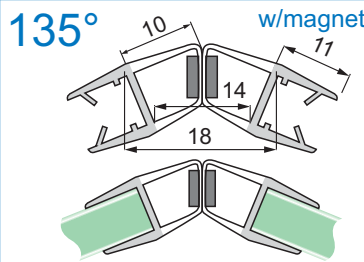
6 mm	2,5 meter	15.22.300
8 mm	2,5 meter	15.22.301
10 mm	2,5 meter	15.22.302
12 mm	2,5 meter	15.22.303

Glass to Glass S-5711



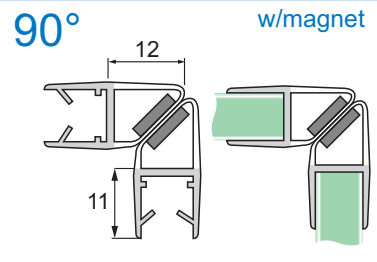
6 mm	2,5 meter	15.22.305
8 mm	2,5 meter	15.22.306
10 mm	2,5 meter	15.22.307
12 mm	2,5 meter	15.22.308

Glass to Glass S-5712



6 mm	2,5 meter	15.22.310
8 mm	2,5 meter	15.22.311
10 mm	2,5 meter	15.22.312
12 mm	2,5 meter	15.22.313

Glass to Glass S-5713



6 mm	2,5 meter	15.22.315
8 mm	2,5 meter	15.22.316
10 mm	2,5 meter	15.22.317
12 mm	2,5 meter	15.22.318

Features:

To be used together in showers with PVC seals

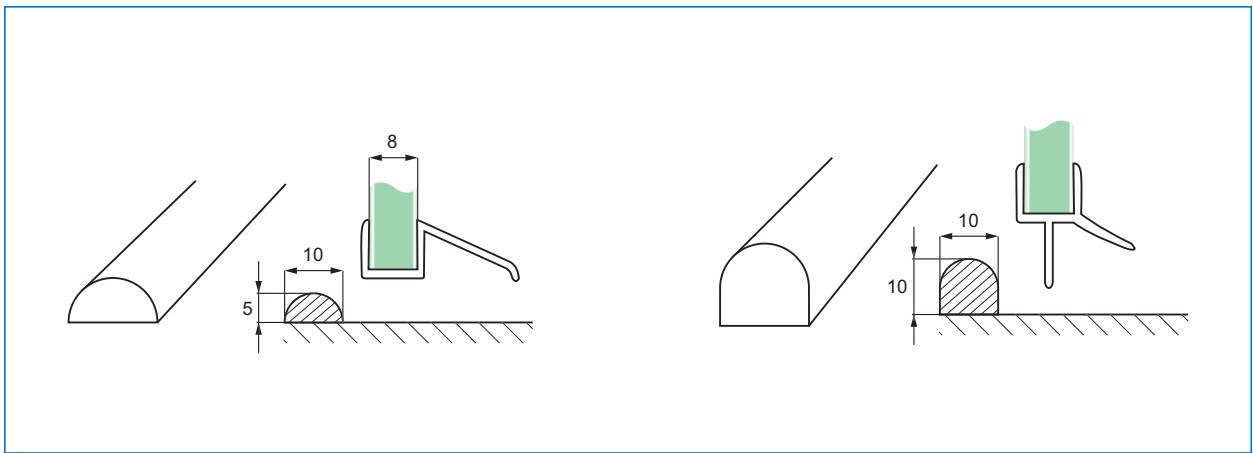
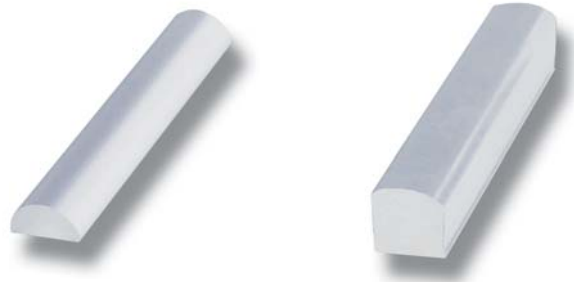
Material: Transparent acrylic

Size:

5 x 10 x 2500 mm
10 x 10 x 2500 mm

Item No:

5 mm height # 15.22.400
10 mm height # 15.22.401



ALUMINIUM U-CHANNELS FOR GLASS

Description:

U-channel for 6, 8, 10 or 12 mm glass

Material: Aluminium

Size (W/H/T):

F/6 mm glass (8,2 x 12 x 6,2 mm)
F/8 mm glass (10,2 x 12 x 8 mm) or (13 x 19 x 8,4 mm)
F/10 mm glass (14,2 x 19 x 10,2 mm)
F/12 mm glass (17,2 x 19 x 13,2 mm)

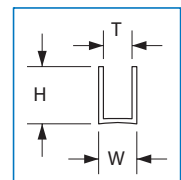
Item No.:

F/6 mm glass, mirror chrome plated, 2,3 meters # 15.22.499
F/6 mm glass, polished aluminium, 2,5 meters # 15.22.500
F/6 mm glass, brushed aluminium, 2,5 meters # 15.22.501

F/8 mm glass, mirror CPL, 2,3 mtr. (10,2 x 12 x 6,2 mm) #15.22.504-1
F/8 mm glass, mirror CPL, 2,8 mtr. (13 x 19 x 8,4 mm) #15.22.504-5
F/8 mm glass, polished aluminium, 2,5 meters #15.22.505
F/8 mm glass, brushed aluminium, 2,5 meters #15.22.506

F/10 mm glass, mirror chrome plated, 2,8 meters # 15.22.509
F/10 mm glass, polished aluminium, 2,5 meters # 15.22.510
F/10 mm glass, brushed aluminium, 2,5 meters # 15.22.511

F/12 mm glass, mirror chrome plated, 2,3 meters # 15.22.514
F/12 mm glass, polished aluminium, 2,5 meters # 15.22.515
F/12 mm glass, brushed aluminium, 2,5 meters # 15.22.516



Brushed aluminium



Mirror chrome plated



Polished aluminium

Application

For sliding glass doors in offices, shops or domestic housing

Material: Stainless steel 304
Glass thickness: 8 - 10 mm
Max load capacity: 120 kg

1 Set for door width 960 - 1060 mm consists of
 1 x Tube \varnothing 25 x 2050 mm
 2 x End pieces for \varnothing 25 tube
 2 x Door stoppers
 2 x Sliding rollers
 1 x Floor guide
 1 x Installation drawing

Item No. # 28.29.001

To be ordered separately

Tube/wall bracket (5 pieces recommended)
Item No. # 28.29.010

Wall/tube bracket - LAY-ON f/ \varnothing 25 mm
 (5 pieces recommended).
Item No. # 28.29.008

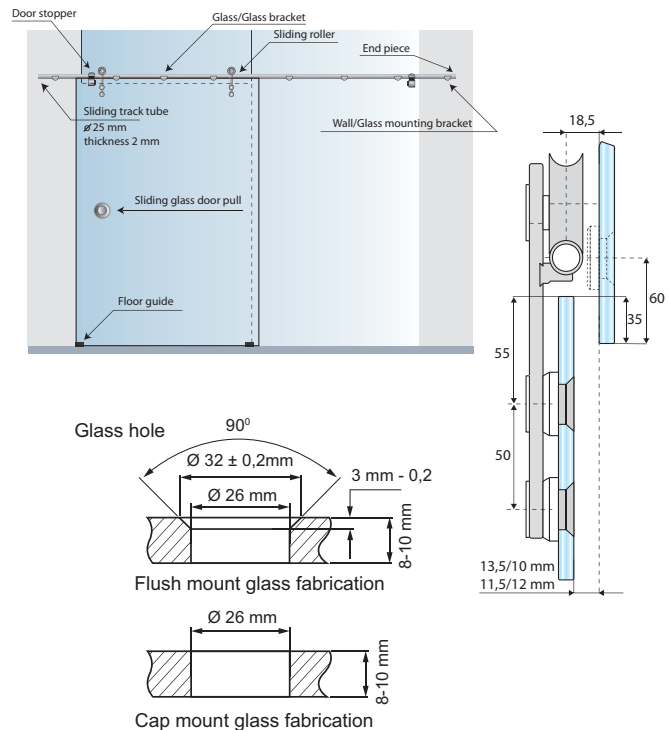
Tube/glass bracket (5 pieces recommended)
Item No. # 28.29.011

Glass/tube bracket - LAY-ON f/ \varnothing 25 mm
 (5 pieces recommended).
Item No. # 28.29.009

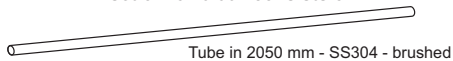
Side-wall mounting fitting f/ \varnothing 25 mm tube
Item No. # 28.29.012

Sliding glass door pull \varnothing 65mm. Bore \varnothing 50 mm
Item No. # 28.29.019

Mounting tool for snake eye screws
Item No. # 28.29.020



1 set of 28.29.001 consists of:



End pieces in SS304



Floor guide in SS304



Detachable anti-lift block



Door stoppers left & right - SS304



Sliding door rollers in SS304

To be ordered separately depending on your construction

To be used for glass walls



Item No.: 28.29.011
Drilling in tube required



Item No.: 28.29.009
No drilling in tube required.
Cannot be used with anti-lift block on sliding rollers

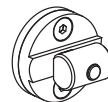


Item No.: 28.29.020
Installation tool

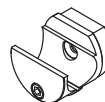
To be used for wooden & concrete walls



Item No.: 28.29.012
Side-wall mounting fitting



Item No.: 28.29.010
Drilling in tube required



Item No.: 28.29.008
No drilling in tube required.
Cannot be used with anti-lift block on sliding rollers



Item No.: 28.29.019
Sliding door pull \varnothing 65 mm
(Bore: \varnothing 48 mm)

SLIDING DOOR SYSTEM "VIRGIN", ALUMINIUM

- high quality furniture fittings



Application:

For sliding glass doors in offices, shops or domestic housing

Material: Aluminium anodized

Glass thickness: 8 – 10 mm

Max dynamic load capacity: 35 kg

1 Set for max door width 1000 mm consists of

1 x 2,36 meter back profile in aluminium anodized

1 x 2,36 meter front profile in aluminium anodized

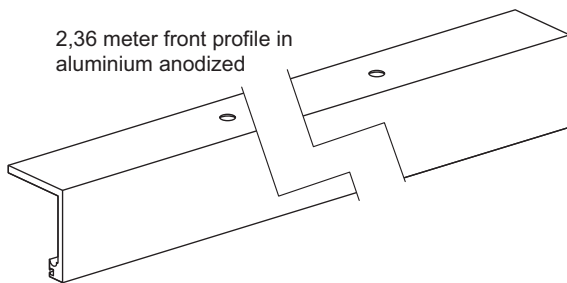
2 x End covers in aluminium anodized

2 x Running gear with glass clamp in steel
zinc plated & aluminium anodized

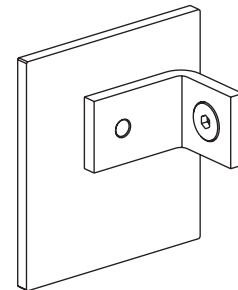
1 x Floor guide in aluminium anodized.

2 x Door stoppers in aluminium & PA material.

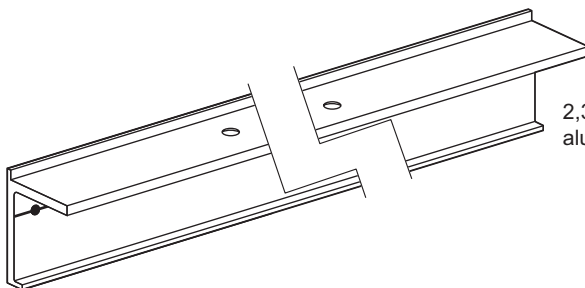
Item No. # 28.29.420



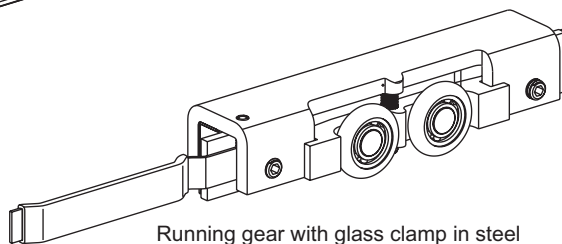
2,36 meter front profile in
aluminium anodized



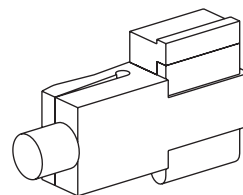
End covers in
aluminium anodized



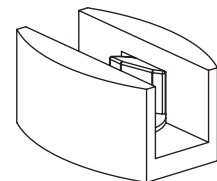
2,36 meter back profile in
aluminium anodized



Running gear with glass clamp in steel
zinc plated & aluminium anodized



Door stoppers in aluminium
& PA material



Floor guide in
aluminium anodized

SLIDING DOOR SYSTEM "SKYLAB", ALUMINIUM

Application

For sliding glass doors in offices, shops or domestic housing

Material: Aluminium anodized

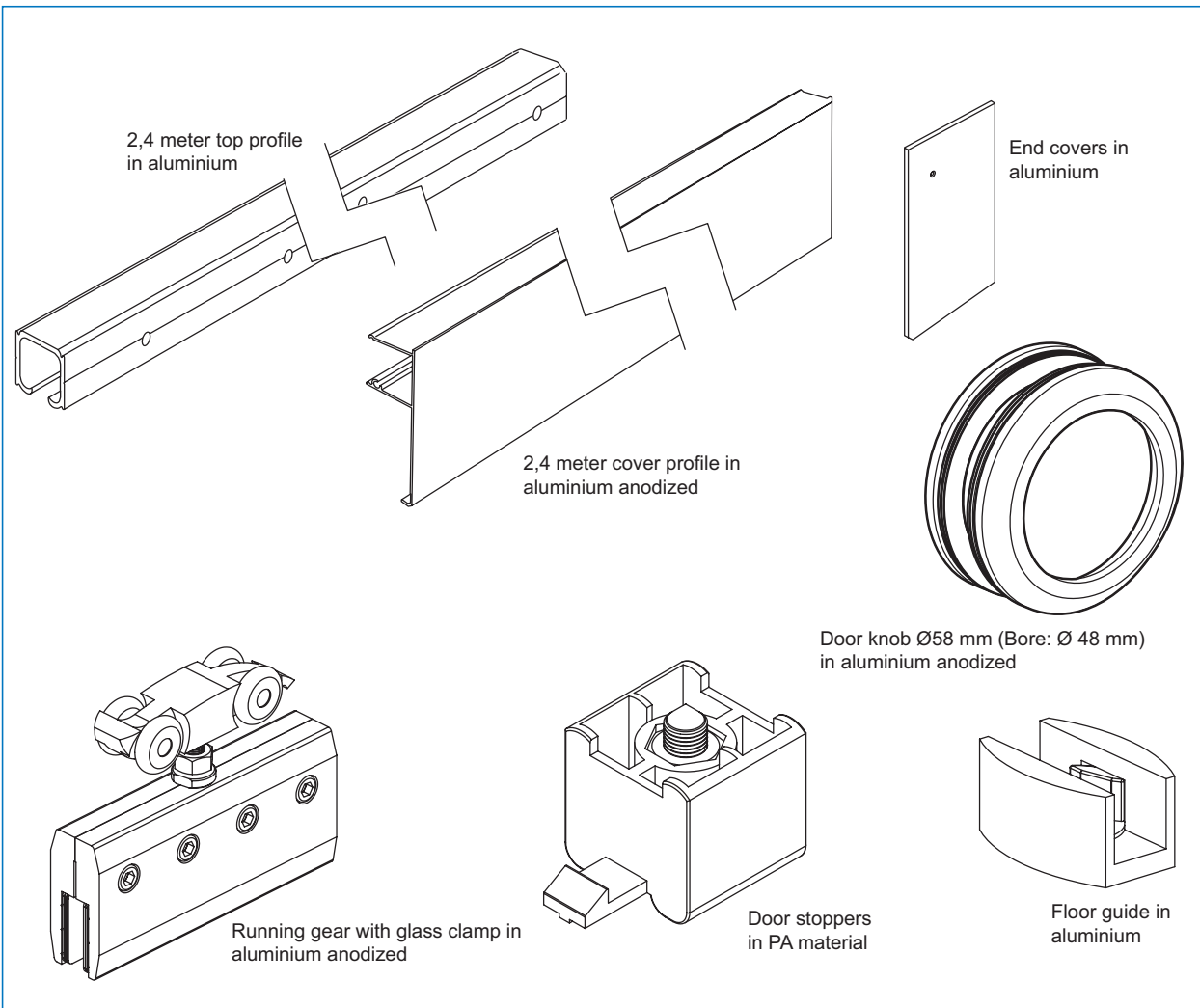
Glass thickness: 8 – 10 mm

Max dynamic load capacity: 35 kg

1 Set for max door width 1000 mm consists of

- 1 x 2,4 meter top profile in aluminium anodized.
- 1 x 2,4 meter cover profile in aluminium anodized.
- 2 x End covers in aluminium anodized.
- 2 x Running gear with glass clamp in aluminium anodized
- 1 x Floor guide in aluminium anodized.
- 2 x Door stoppers in PA material.
- 1 x Door knob \varnothing 58 mm (Bore: \varnothing 48 mm) in aluminium anodized.

Item No. # 28.29.200



SLIDING DOOR SYSTEM "COSMOS" - ALUMINIUM

- high quality furniture fittings



Application

For sliding glass doors in showers

Material: Aluminium anodized

Glass thickness: 8 – 10 mm

Max dynamic load capacity: 35 kg

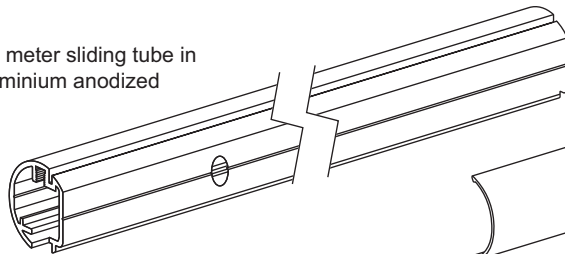
1 Set for max door width 740 mm consists of

- 1 x 2,1 meter sliding tube in aluminium anodized
- 1 x 2,1 meter cover profile in aluminium anodized
- 1 x End glass clamp in aluminium anodized
- 2 x Side glass clamp in aluminium anodized
- 1 x Wall connector in SS304 - brushed
- 2 x Running gear with glass clamp in aluminium anodized
- 1 x Floor guide in aluminium anodized
- 2 x Door stoppers in PA material
- 1 x Door knob \varnothing 58mm (Bore: \varnothing 48mm) in aluminium anodized

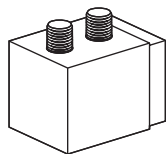
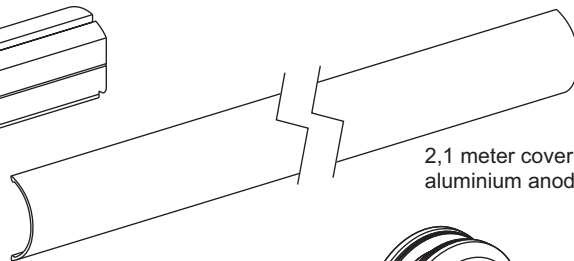
Item No. # 28.29.101



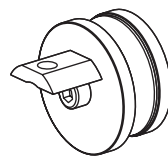
2,1 meter sliding tube in aluminium anodized



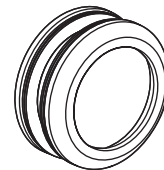
2,1 meter cover profile in aluminium anodized



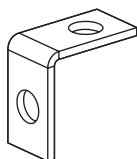
Door stopper in PA material



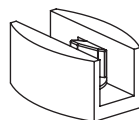
End glass clamp in aluminium anodized



Door knob \varnothing 58 mm (Bore: \varnothing 48 mm) in aluminium anodized



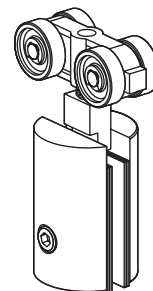
Wall connector in SS-304 - brushed



Floor guide in aluminium anodized



Side glass clamp in aluminium



Running gear with glass clamp in aluminium anodized

SLIDING DOOR SYSTEM "GALACTIC" W/SOFT CLOSE

Application

For sliding glass doors in offices, shops or domestic housing. With soft close function

Material: Aluminium anodized

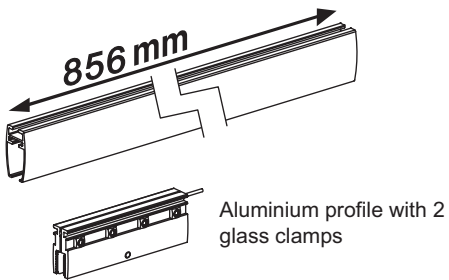
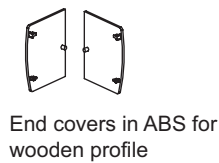
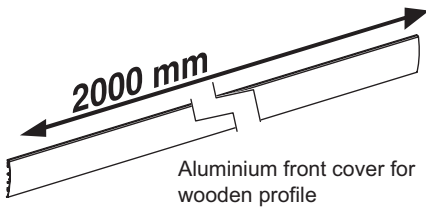
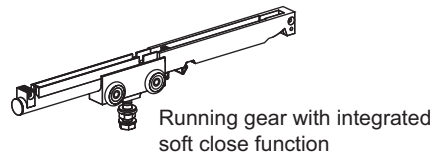
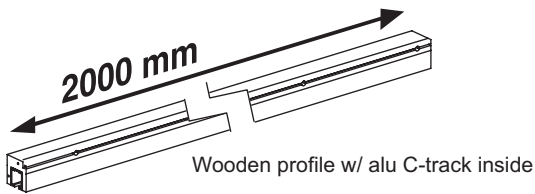
Glass thickness: 8 – 10 mm

Max dynamic load capacity: 70 kg

1 Set for max door width 850 mm consists of

- 1 x 2 meter wooden profile w/alu C-profile inside
- 1 x 2 meter aluminium front cover for wooden profile
- 1 x 856 mm aluminium profile with 2 glass clamps
- 2 x End covers in ABS for glass clamp
- 2 x End covers in ABS for wooden profile
- 2 x Running gear with integrated soft close function
- 1 x Floor guide, aluminium anodized
- 2 x Door stoppers aluminium & POM material

Item No. # 28.29.500



SLIDING DOOR SYSTEM "ISS", SS304 & ALUMINIUM

- high quality furniture fittings



Application

For sliding glass doors in offices, shops or domestic housing

Material: Stainless steel 304 brushed & aluminium anodized

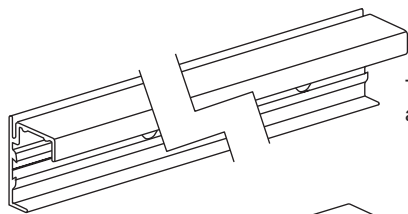
Glass thickness: 8 – 10 mm

Max dynamic load capacity: 35 kg

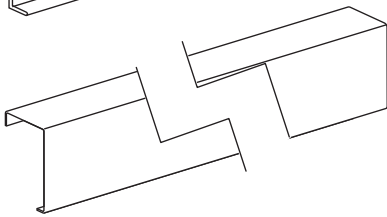
1 Set for max door width 1000 mm consists of

- 1 x 2 meter top profile in aluminium anodized
- 1 x 2 meter cover profile in SS304 – brushed
- 1 x 2 meter bottom profile in SS304 - brushed
- 2 x End covers in SS304 - brushed
- 2 x Running gear with glass clamp in aluminium anodized
- 2 x Bottom wheels in SS304 - brushed
- 2 x Door stoppers in aluminium anodized

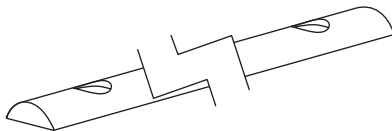
Item No. # 28.29.400



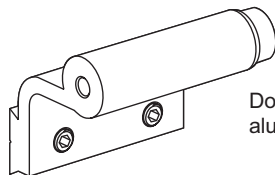
Top profile in aluminium anodized



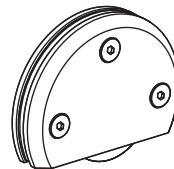
Cover profile in SS-304 - brushed



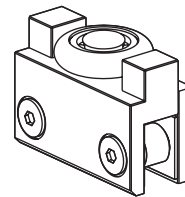
Bottom profile in SS-304 - brushed



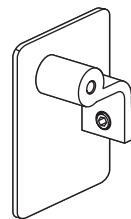
Door stopper in aluminium anodized



Bottom wheels in SS-304 - brushed



Running gear with glass clamps in aluminium anodized



End covers in SS-304 - brushed

TOWEL SHELF W/BAR

Material: Stainless steel 304
Finish: Polished
Size: Feet: \varnothing 18 x 90 mm
 & \varnothing 18 x 200 mm
 Bars: \varnothing 12 x 610 mm
Box packing: 1 pce.
 incl. screws, hex key & wall plugs
Export packing: 5 pcs.
Item No. # 17.73.010



TOWEL BAR - DOUBLE

Material: Stainless steel 304
Finish: Polished
Size: Feet: \varnothing 18 x 120 mm
 Bars: \varnothing 12 x 610 mm
Blister packing: 1 pce.
 incl. screws, hex key & wall plugs
Export packing: 20 pcs.
Item No. # 17.73.020



TOWEL BAR - SINGLE

Material: Stainless steel 304
Finish: Polished
Size: Feet: \varnothing 18 x 65 mm
 Bar: \varnothing 12 x 610 mm
Blister packing: 1 pce.
 incl. screws, hex key & wall plugs
Export packing: 20 pcs.
Item No. # 17.73.015



TOWEL HOOK W/GRIP

Material: Stainless steel 304
Finish: Polished
Size: \varnothing 16 x 32 mm
Blister packing: 1 pair
 incl. screws, hex key & wall plugs
Export packing: 20 pairs
Item No. # 17.73.105



TOWEL HOOK W/PIN

Material: Stainless steel 304
Finish: Polished
Size: \varnothing 16 x 32 mm
Blister packing: 1 pair
 incl. screws, hex key & wall plugs
Export packing: 20 pairs
Item No. # 17.73.100



TOILET ROLL HOLDER

Material: Stainless steel 304
Finish: Polished
Size: Feet: \varnothing 18 x 65 mm
 Wire: \varnothing 10 mm
Blister packing: 1 pce.
 incl. screws, hex key & wall plugs
Export packing: 20 pcs.
Item No. # 17.73.000



TOILET BRUSH WITH HOLDER

Material: Stainless steel 304
Finish: Polished
Size: Holder: 120 x 142 mm
Box packing: 1 set
 incl. screws, hex key & wall plugs
Export packing: 10 sets
Item No. # 17.73.030



MOUNTING METHOD

SAME MOUNTING METHOD
 FOR ALL PRODUCTS



Application

Complete solution for construction of toilet cubicles.
 Ideal for toilets in public swimming baths, airports, locker rooms or gas stations.
 Made of black, grey or white polypropylene (PP).
 Available for right hand & left hand doors.
 For wall thickness 16 - 18 mm.

On set consists of

- 2 handles
- 1 hook
- 1 lock
- 12 angle brackets w/cover caps
- 2 hinges
- 2 stands w/cover caps

Item No.:

Black right hand	# 22.23.050
Grey right hand	# 22.23.051
White right hand	# 22.23.052
Black left hand	# 22.23.060
Grey left hand	# 22.23.061
White left hand	# 22.23.062

Other colours & material on request.

Packing

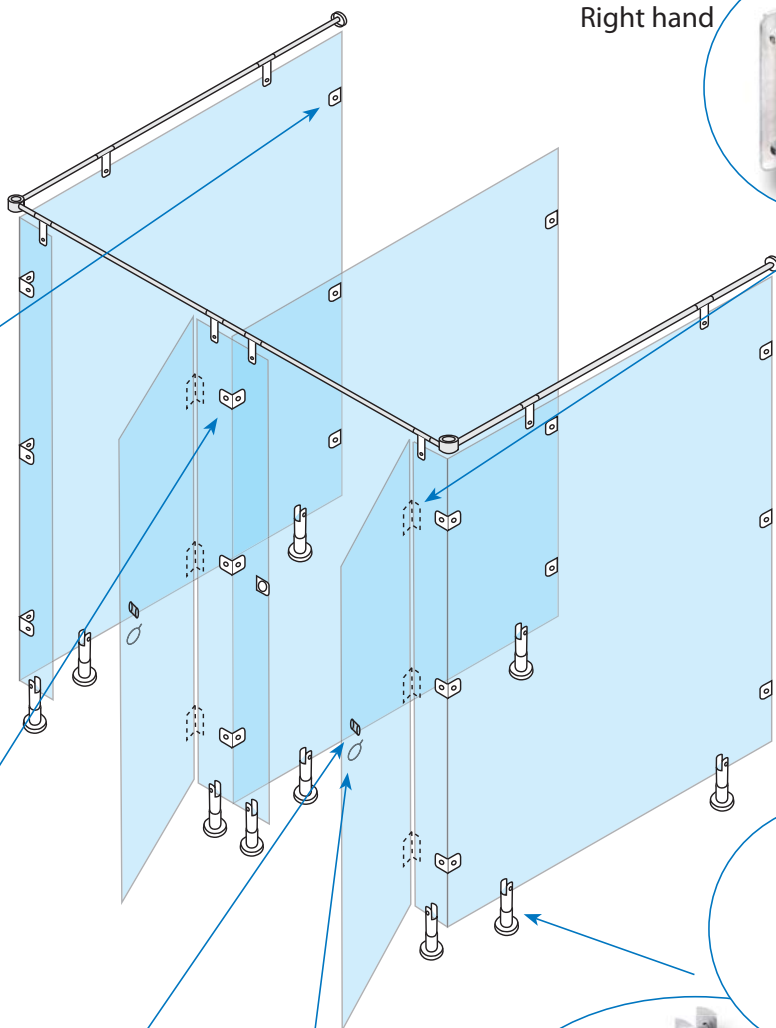
20 sets pr. export carton



TOILET CUBICLE FITTINGS IN SS304 F/OVERLAY DOORS

Application

Complete solution for construction of toilet cubicles.
Ideal for toilets in public swimming baths, airports, locker rooms or gas stations.
Made of stainless steel 304
Available for right hand & left hand doors.
For wall thickness 10 - 18 mm



Right hand



Left hand



LIFT DOOR HINGES

Features:
F/overlay doors.
Outwards opening.
Self closing by up/down function
F/ 10 - 18 mm panels
Size: 90 x 75 x 2,5 mm
Incl. screws for panel mounting
Item No.
Right hand # 22.23.160
Left hand # 22.23.161



U-BRACKET

Size: 57 x 40 x 18 mm
Incl. spacers for adjustment of panel thickness from 10 - 18 mm. Wall & panel screws and plugs included.
Item No. # 22.23.130



L-BRACKET

Size: 50 x 50 mm
Incl. plugs & screws for wall & panel mounting
Item No. # 22.23.125



TURN & RELEASE HANDLE

f/overlay doors
Features:
W/indicator showing if door is open or closed.
To be installed on the door
F/10 - 18 mm panel thickness
Size: ø 50 mm
Item No. # 22.23.150



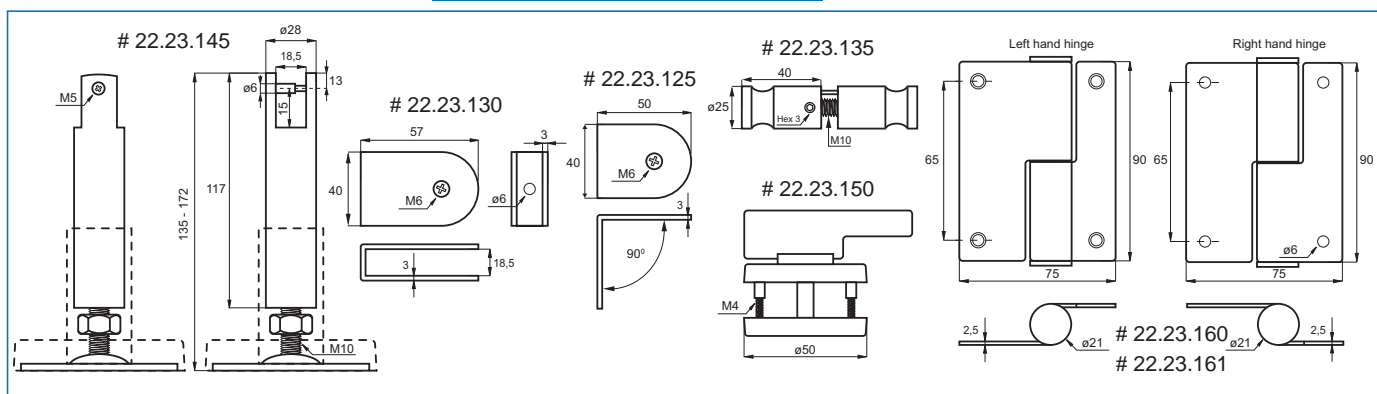
PANEL SUPPORT LEG

Size: ø 28 x 140 mm
Incl. spacers for adjustment of panel thickness from 10 - 18 mm
Floor & panel screws included
Item No. # 22.23.145



DOOR KNOB

Size: ø 25 x 40 mm
For panel thickness 10 - 18 mm
Item No. # 22.23.135



TOILET CUBICLE FITTINGS IN SS304 F/INSET DOORS

- high quality furniture fittings



Application

Complete solution for construction of toilet cubicles.
Ideal for toilets in public swimming baths, airports, locker rooms or gas stations.
Made of stainless steel 304
Available for right hand & left hand doors.
For wall thickness 10 - 18 mm



U-BRACKET

Size: 57 x 40 x 18 mm
Incl. spacers for adjustment of panel thickness from 10 - 18 mm. Wall & panel screws and plugs included.
Item No. # 22.23.130



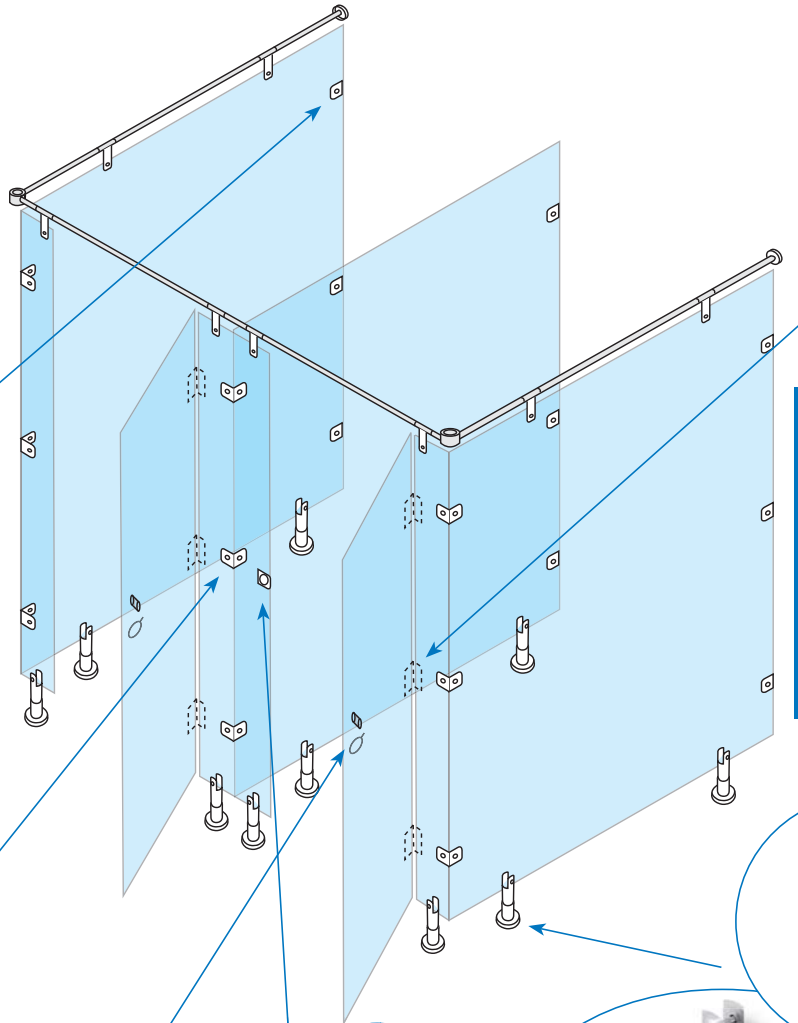
L-BRACKET

Size: 50 x 50 mm
Incl. plugs & screws for wall & panel mounting
Item No. # 22.23.125



DOOR KNOB

Size: \varnothing 25 x 40 mm
For panel thickness 10 - 18 mm
Item No. # 22.23.135



SPRING DOOR HINGES

Features:
F/inset doors.
Inwards opening.
Self closing by spring function
F/ 10 - 18 mm panels
Size: 90 x 52 x 2 mm
Item No.:
Universal # 22.23.165
Incl. screws for panel mounting



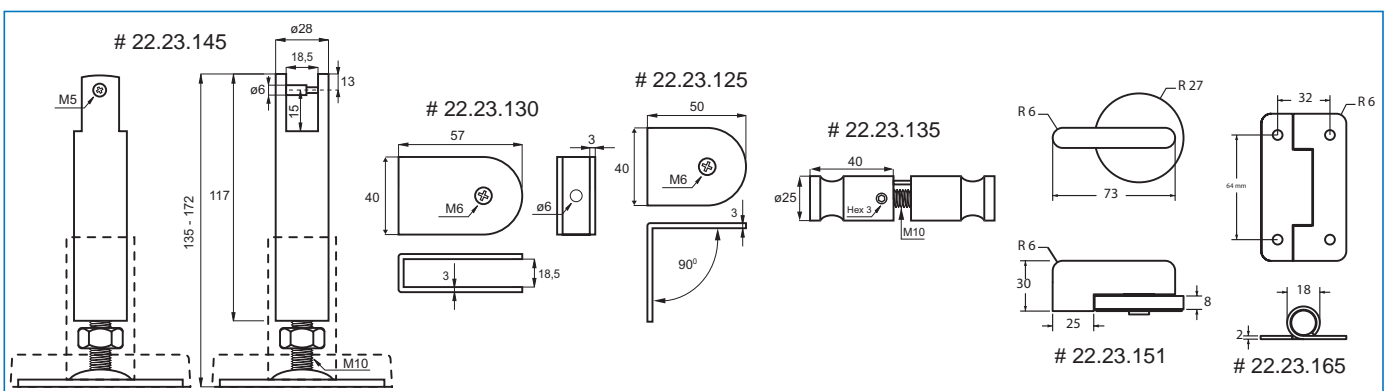
TURN & RELEASE HANDLE F/INSET DOORS

Features:
W/indicator showing if door is open or closed.
To be installed on side panel
F/10 - 18 mm panel thickness
Size: \varnothing 50 mm
Item No. # 22.23.151



PANEL SUPPORT LEG

Size: \varnothing 28 x 140 mm
Incl. spacers for adjustment of panel thickness from 10 - 18 mm
Floor & panel screws included
Item No. # 22.23.145



TUBE CONNECTOR FITTINGS SS304 F/TOILET CUBICLES

SISO

DENMARK - high quality furniture fittings

TUBE CLIP HOLDER SS304

Description:

Tube clip holder, 110 x 40 x 2,5 mm for 19 mm tube.

Finish:

Brushed SS-304

Item No:

22.23.108

TUBE HOLDER SS304

Description:

Tube holder, $\varnothing 64 \times 10 \times 28$ mm for 19 mm tube.

Finish:

Brushed SS-304

Item No:

22.23.105

TUBE

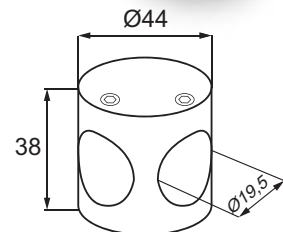
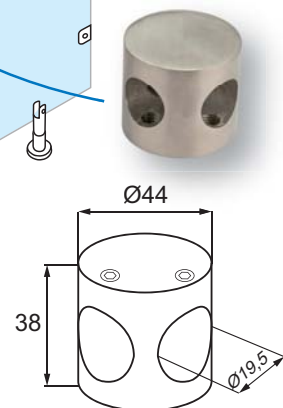
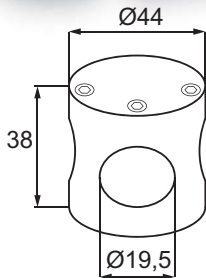
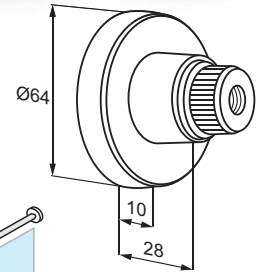
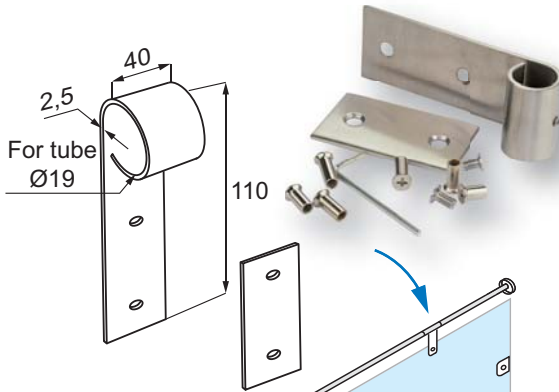
$\varnothing 19 \times 3000$ mm

1,2 mm Thickness

SS-304 - Brushed

Item No.

22.23.250



TUBE HOLDER 3-WAY SS304

Description:

Tube connector 3-way, $\varnothing 44 \times 38$ mm f/19 mm tube.

Finish:

Brushed SS-304

Item No:

22.23.115

TUBE HOLDER 2-WAY SS304

Description:

Tube connector 2-way, $\varnothing 44 \times 38$ mm f/19 mm tube.

Finish:

Brushed SS-304

Item No:

22.23.110

TOILET CUBICLE FITTINGS IN SS304 F/GLASS PANELS 8 - 10 MM

- high quality furniture fittings



T-SHAPED CONNECTOR

F/3 Bars, F/ø19 mm Tubes
SS304 - Brushed

Item No. # 22.23.215



TUBE

ø19 x 3000 mm
1,2 mm Thickness
SS-304 - Brushed

Item No. # 22.23.250



BAR TO GLASS CENTRE BRACKET

F/ø19 mm Tube
SS304 - Brushed

Item No. # 22.23.205



ANGLE BRACKET WALL/GLASS

SS304 - Brushed

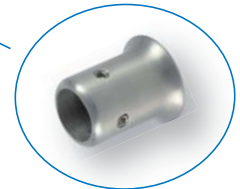
Item No. # 22.23.230



WALL MOUNTING BRACKET

F/ø19 mm Tubes, Side-Mounted
SS304 - Brushed

Item No. # 22.23.217



DOOR LOCK

W/Indicator,
Brass Material, SS-Look

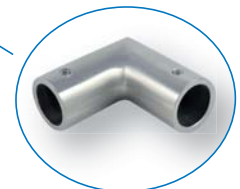
Item No. # 22.23.200



BAR TO BAR CONNECTOR 90°

60 x 60 mm, F/ø19 mm Tube
SS-304 - Brushed

Item No. # 22.23.210



PANEL SUPPORT LEG

100 - 110 mm height
SS304 - Brushed

Item No. # 22.23.225

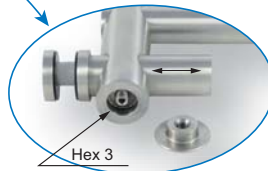


DOOR HINGE/ANGLE BRACKET

SS304 - Brushed

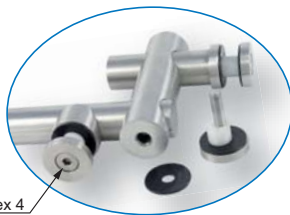
Item No. # 22.23.220

Bar length adjustment



Hex 3

Glass installation



Hex 4

Height adjustable thread



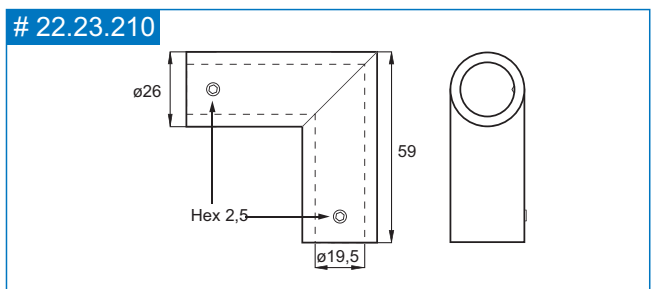
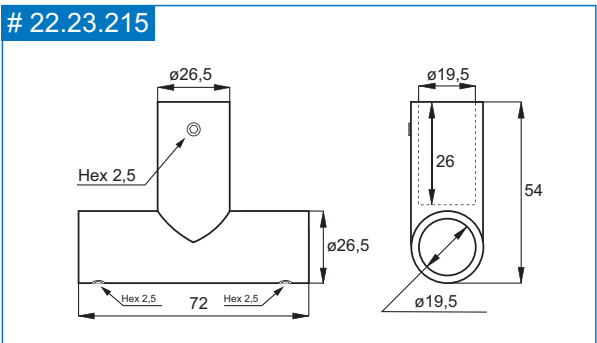
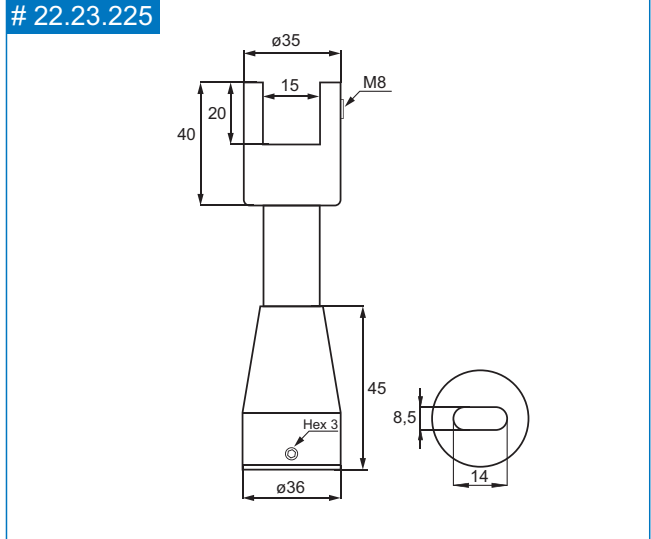
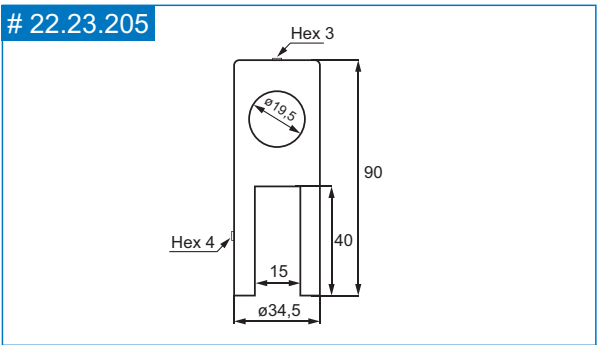
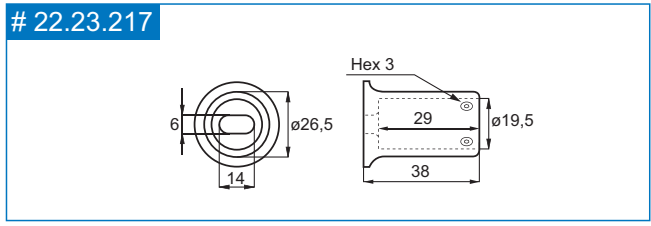
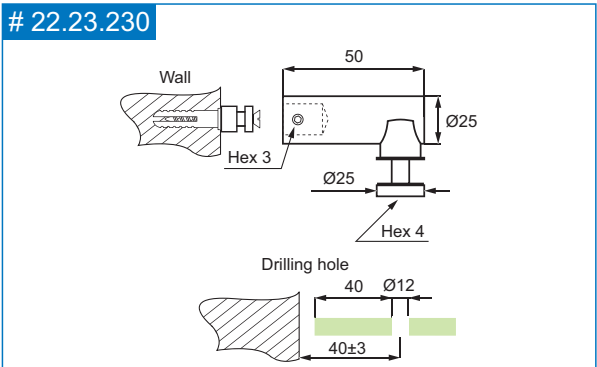
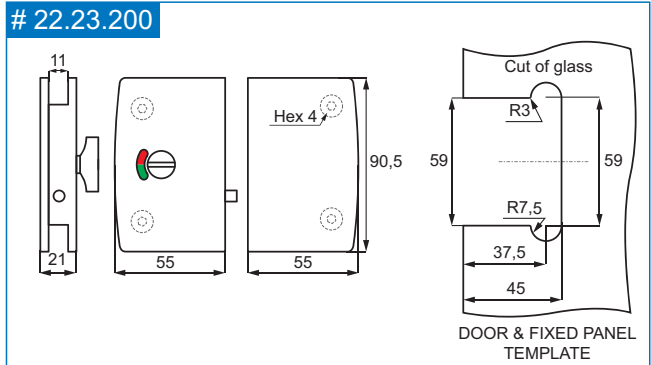
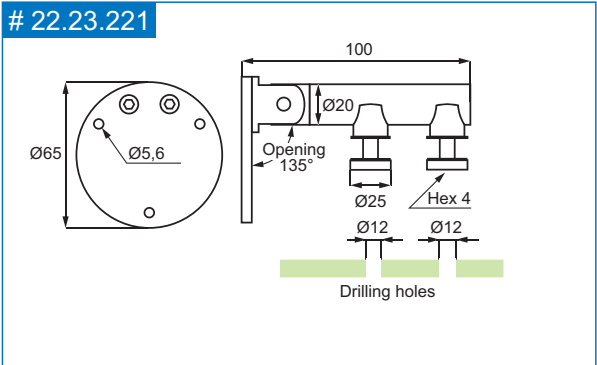
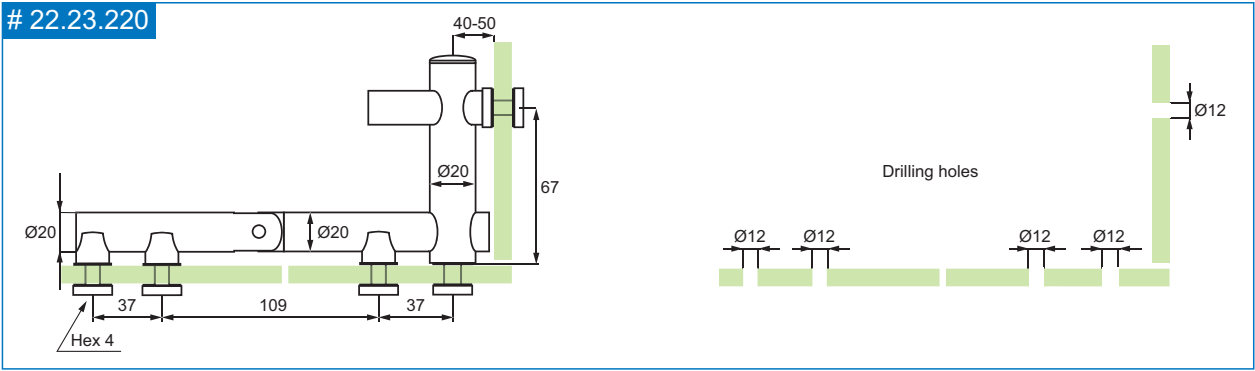
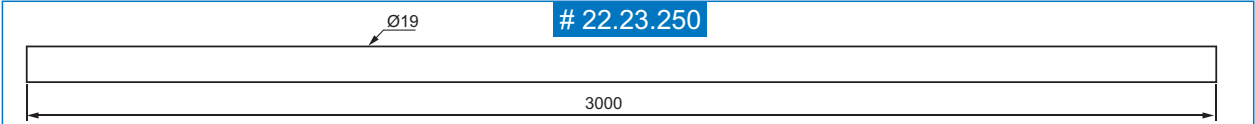
DOOR HINGE WALL/GLASS

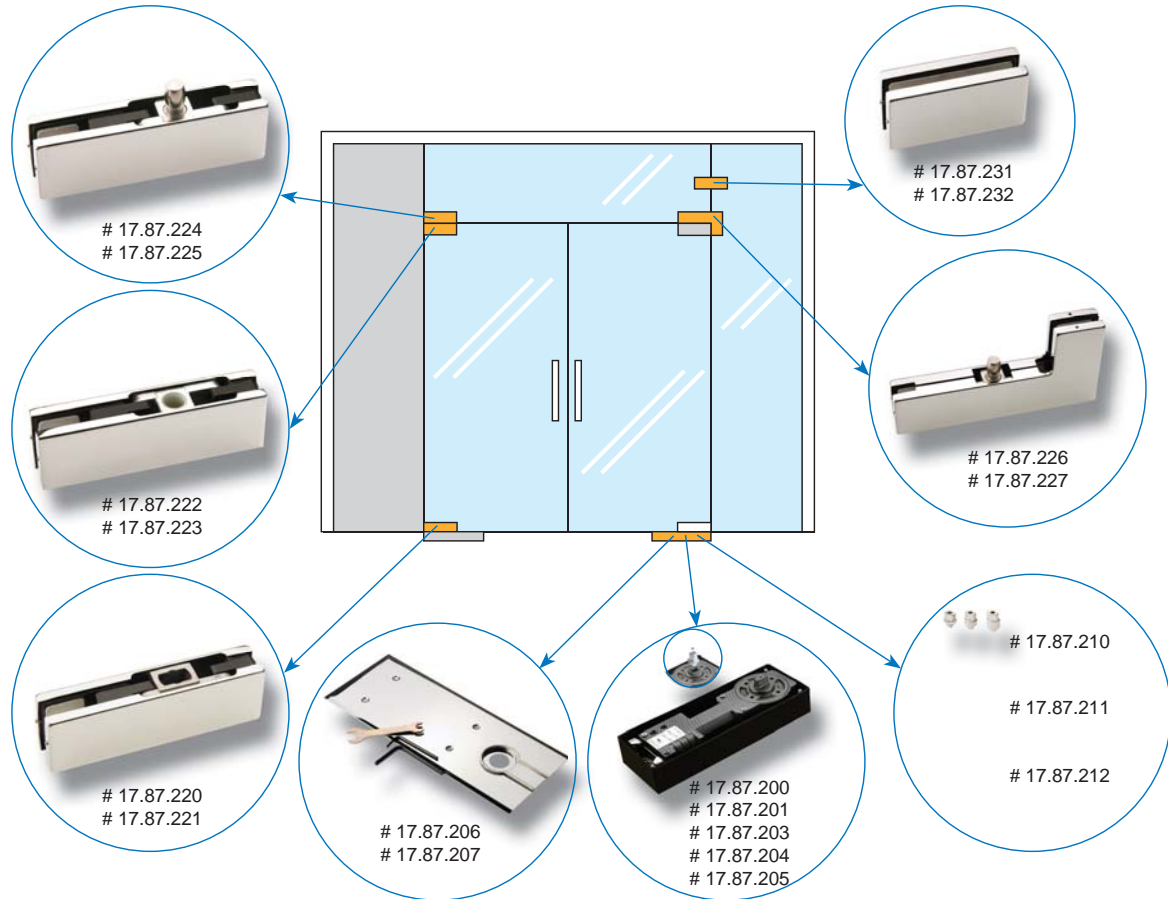
SS304 - Brushed

Item No. # 22.23.221



TOILET CUBICLE FITTINGS IN SS304 F/GLASS PANELS





FLOOR SPRING "HEKLA" +/- 116° OPENING

Features:

- W/stop at +/- 90°
- Adjustment of closing speed
+/- 90° to +/- 25 - 0°
- Floor spring box is 6 mm adjustable side
to side & up/down
- W/fixed or interchangeable spindle
- Built-in decompression valve
that prevents door from damage
in case of strong wind
- No cover plate

Material: Steel

- Size:** 50 x 295 x 106 mm
- Max door width:** 1100 mm
- Max opening:** +/- 116°
- Max load:** 135 kg
- Cycles:** 500.000

W/fixed 3 mm stainless steel spindle
(excl. cover plate) # 17.87.200

w/interchangeable 3 mm stainless steel
spindle
(excl. cover plate) # 17.87.201

Interchangeable
spindle

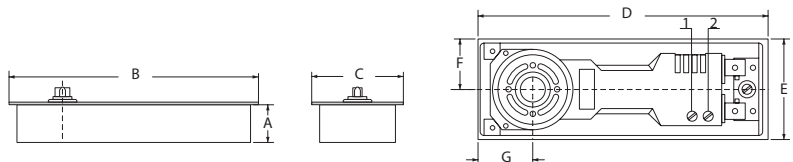
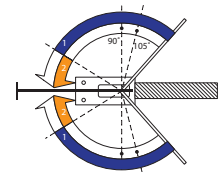


A	B	C	D	E	F	G
50	311	124	295	106	49	53-60



EN 1154 approved

1 section adjust 90° -25° closing speed
2 section adjust 25° -0° closing speed



FLOOR SPRING "KATLA" +/- 180° OPENING

Features:
 W/stop at +/- 90°. Over 90° stop at any point
 Adjustment of closing speed
 +/- 180 - 25° & +/- 25 - 0°
 Floor spring box is 6 mm adjustable side to side & up/down
 W/fixed or interchangeable spindle
 Built-in decompression valve that prevents door from damage in case of strong wind
 Especially suitable for double doors
 No cover plate

Material: Steel
Size: 50 x 295 x 106 mm
Max door width: 1100 mm
Max opening: +/- 180°
Max load: 135 kg
Cycles: 500.000

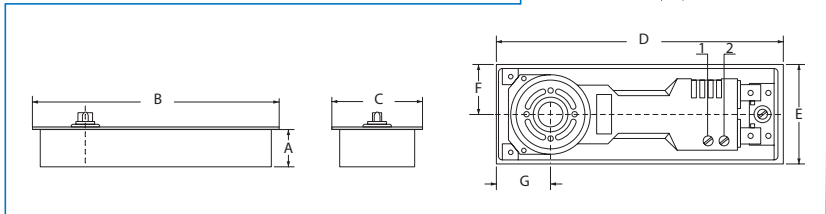
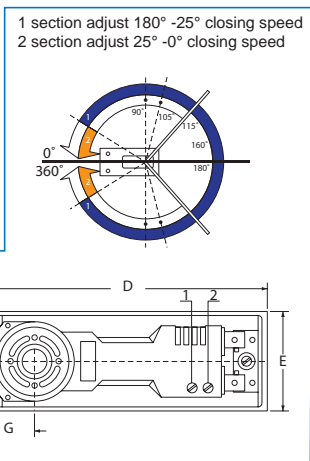
W/fixed 3mm stainless steel spindle (excl. cover plate) # 17.87.203

W/interchangeable 3 mm stainless steel spindle (excl. cover plate) # 17.87.204



A	B	C	D	E	F	G
50	311	124	295	106	49	53-60

EN 1154 approved



FLOOR SPRING "VESTIA" – NO HOLD +/- 180° OPENING

Features:
 No stop at +/-90 or +/-180° but hold/stop at any point after +/-110 to +/-180°.
 Adjustment of closing speed 180 – 25° & from 25 – 0°
 Floor spring box is 6 mm adjustable side to side & up/down.
 W/Interchangeable spindle
 Build-in decompression valve that prevents door from damage in case of strong wind
 Especially suitable for double doors
 No cover plate

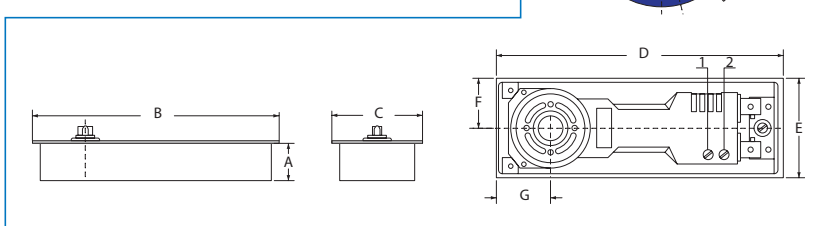
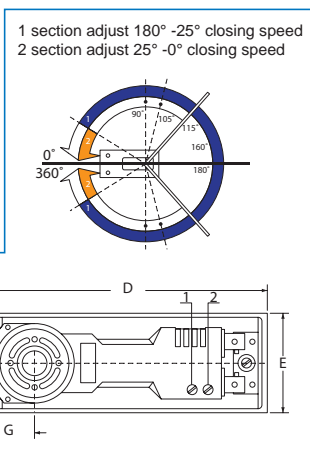
Material: Steel
Size: 50 x 295 x 106 mm
Max door width: 1100 mm
Max opening: +/- 180°
Max load: 135 kg
Cycles: 500.000

W/interchangeable 3 mm stainless steel spindle. (excl. cover plate) #17.87.205



A	B	C	D	E	F	G
50	311	124	295	105	49	53-60

EN 1154 approved



COVER PLATE SS-304 F/FLOOR SPRINGS "HEKLA", "KATLA" & "VESTIA"

- high quality furniture fittings



Feature:

Cover plate for floor springs

Material:

Stainless steel SS-304

Size: 311 x 124 x 1 mm (L/W/T)

Finish:

Polished # 17.87.206

Brushed # 17.87.207



INTERCHANGEABLE SPINDLES F/FLOOR SPRINGS "HEKLA", "KATLA" & "VESTIA"

Feature:

Spindle for floor spring

Material: Steel

Size: 3, 8, 13 or 18 mm

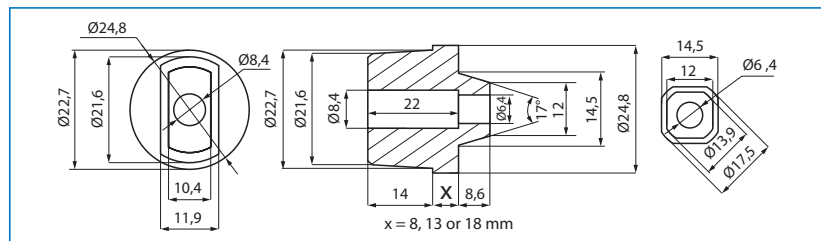
Item No.:

3 mm # 17.87.260

8 mm # 17.87.210

13 mm # 17.87.211

18 mm # 17.87.212



BOTTOM STRAP F/FLOOR SPRINGS FOR WOODEN, ALU OR METAL DOORS

Feature:

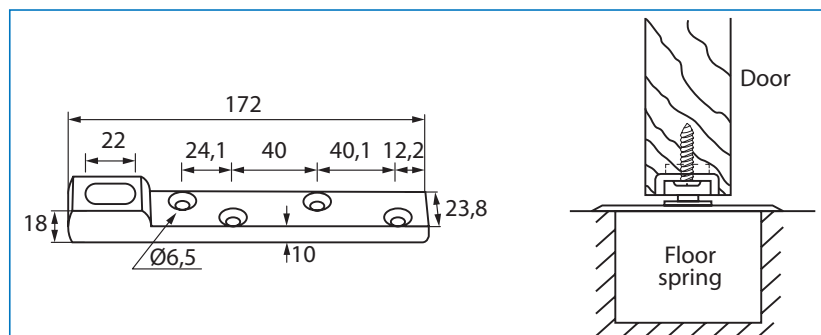
To be used together with floor spring Hekla, Ketla or Vestia for wooden, alu or metal doors

Material: Iron

Size: 23,8 x 172 mm (W/L)

Finish:

Raw # 17.87.213



ADJUSTABLE TOP CENTRE "C" - ZAMAK

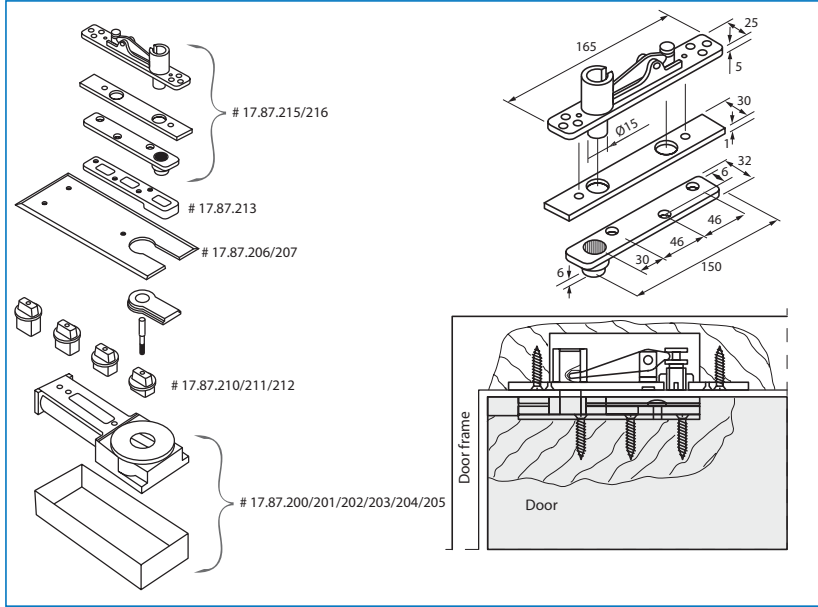
FOR WOODEN, ALU OR METAL DOORS

Features:
To be used together with floor spring Hekla, Ketla or Vestia for wooden, alu or metal doors

Material: Zamak

Size: 32 x 165 mm (W/L)

Finish:
Raw # 17.87.215



ADJUSTABLE TOP CENTRE "D" - IRON

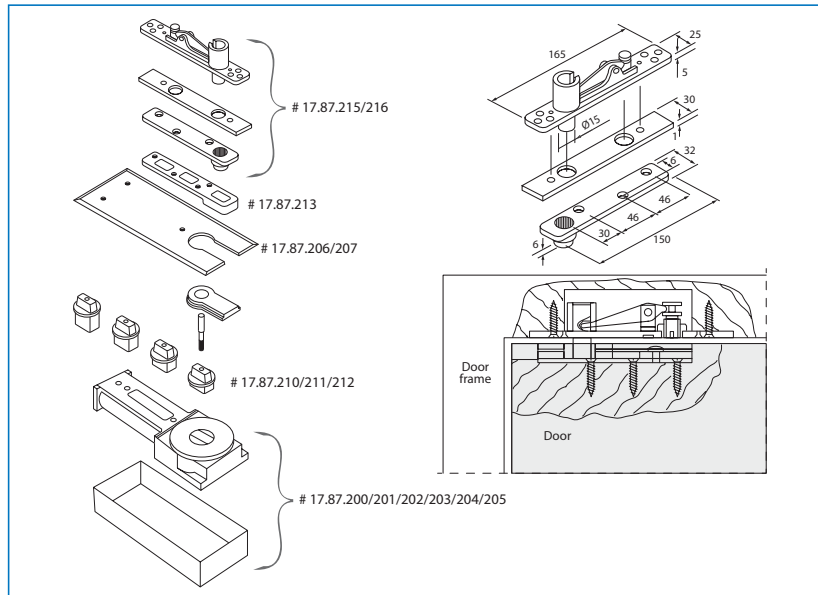
FOR WOODEN, ALU OR METAL DOORS

Features:
To be used together with floor spring Hekla, Ketla or Vestia for wooden, alu or metal doors

Material: Iron

Size: 32 x 165 mm (W/L)

Finish:
Raw # 17.87.216



FLOOR PIVOT BRACKET

- high quality furniture fittings

Features:

To be used together with bottom patch fitting "Rosa" W/ball bearing

Material: SS-304

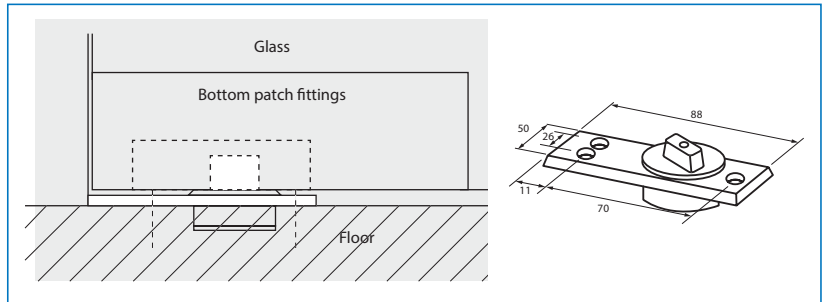
Size: 50 x 88 mm (W/L)

Spindle: 12 x 22 mm - 3 mm gap

Finish:

Polished # 17.87.218-0

Brushed # 17.87.218-9



TOP PIVOT BRACKET

Features:

To be used together with top patch fitting "Lotus"

Material: SS-304

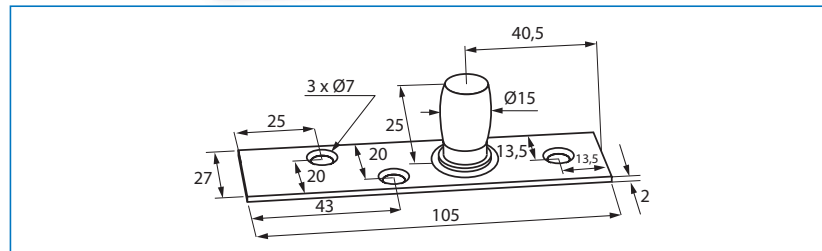
Size: 27 x 105 mm (W/L)

Pin: $\varnothing 15$ mm

Finish:

Polished # 17.87.219-0

Brushed # 17.87.219-9



TOP PIVOT BRACKET "SABINA"

Features:

To be used together with top patch fitting "Lotus"

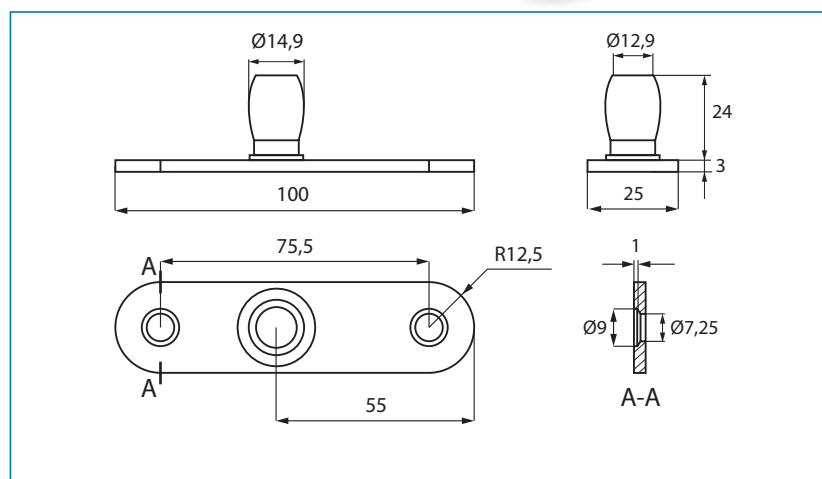
Material: SS-304

Size: 25 x 100 (W/L)

Pin: $\varnothing 14,9$ mm

Finish:

Brushed: # 17.87.245



OVER PANEL GLASS CLAMP "ZIP"

Features:

Drilling required

Material: Aluminum body & SS-304 cover

Size: 51 x 103 x 33 – 35 mm (H/L/W)

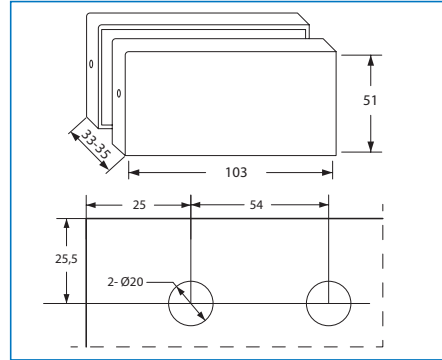
Glass thickness: 10-12 mm glass

Finish:

Polished # 17.87.231

Brushed # 17.87.232

Alu look # 17.87.232-9



WALL MOUNT GLASS CLAMP "ZIP"

Features:

Drilling required

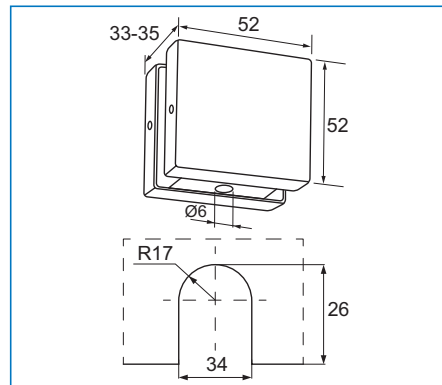
Material: Aluminum body & SS-304 cover

Size:
52 x 52 x 33 - 35 mm (H/L/W)

Glass thickness: 8 -12 mm glass

Item No:

Brushed # 17.87.233



WALL MOUNT GLASS CLAMP "ZIP"

Features:

Drilling required

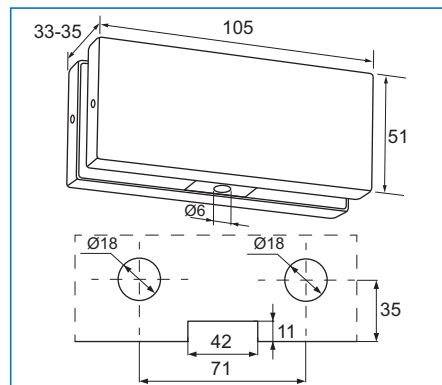
Material: Aluminum body & SS-304 cover

Size:
105 x 51 x 33 - 35 mm (H/L/W)

Glass thickness: 8 -12 mm glass

Item No:

Brushed # 17.87.236



OVERPANEL CORNER PATCH FITTING "ZIP"

Features:

W/8mm horizontal adjustment
Cutting & drilling required

Material: Aluminum body & SS-304 cover

Size:
51 x 218 x 33 – 35 x 106 x 51 mm
(H/L/W/H/L)

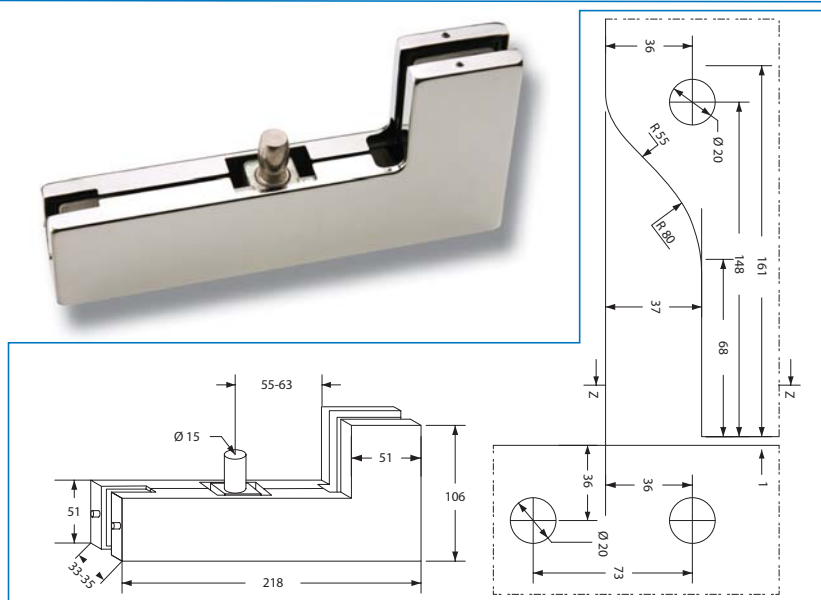
Glass thickness: 10-12 mm glass

Finish:

Polished # 17.87.226

Brushed # 17.87.227

Alu look # 17.87.227-9



OVERPANEL PATCH FITTING "ZIP"

- high quality furniture fittings

Features:

W/ 8 mm horizontal adjustment
Cutting & drilling required

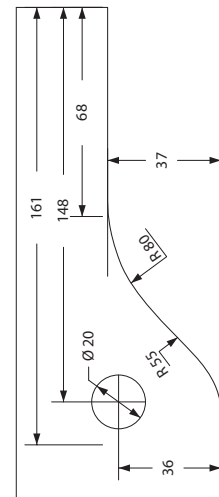
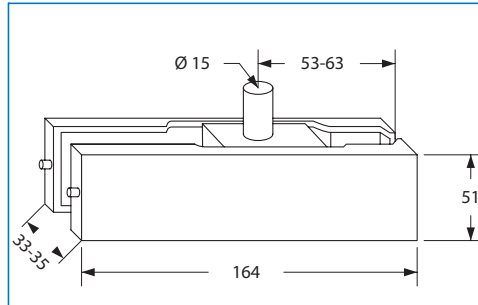
Material: Aluminum body & SS-304 cover

Size: 51 x 164 x 33 – 35 mm (H/L/W)

Glass thickness: 10-12 mm glass

Finish:

Polished # 17.87.224
Brushed # 17.87.225
Alu look # 17.87.225-9



TOP PATCH FITTING "ZIP"

Features:

W/8mm horizontal adjustment
Cutting & drilling required

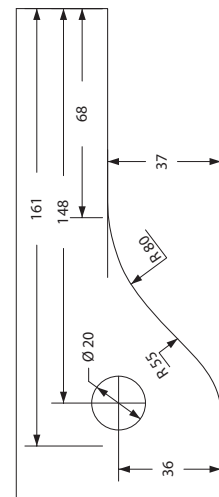
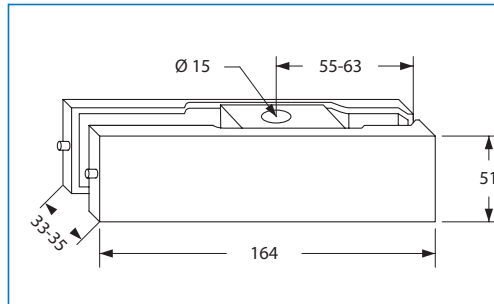
Material: Aluminum body & SS-304 cover

Size: 51 x 164 x 33 – 35 mm (H/L/W)

Glass thickness: 10-12 mm glass

Finish:

Polished # 17.87.222
Brushed # 17.87.223
Alu look # 17.87.223-9



BOTTOM PATCH FITTING "ZIP"

Features:

W/8mm horizontal adjustment
Cutting & drilling required

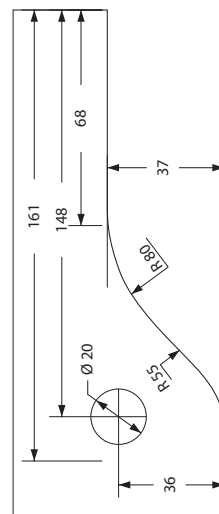
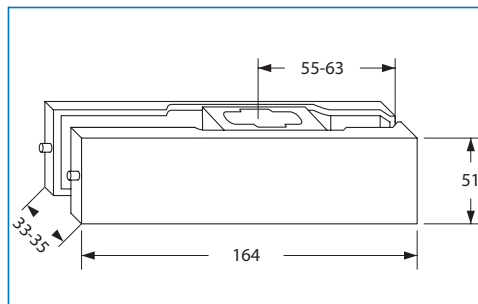
Material: Aluminum body & SS-304 cover

Size: 51 x 164 x 33 – 35 mm (H/L/W)

Glass thickness: 10-12 mm glass

Finish:

Polished # 17.87.220
Brushed # 17.87.221
Alu look # 17.87.221-9



WALL MOUNTING FITTING W/BRACKET "ZIP"

Features:

Drilling required

Material:

Aluminum body & SS-304 cover

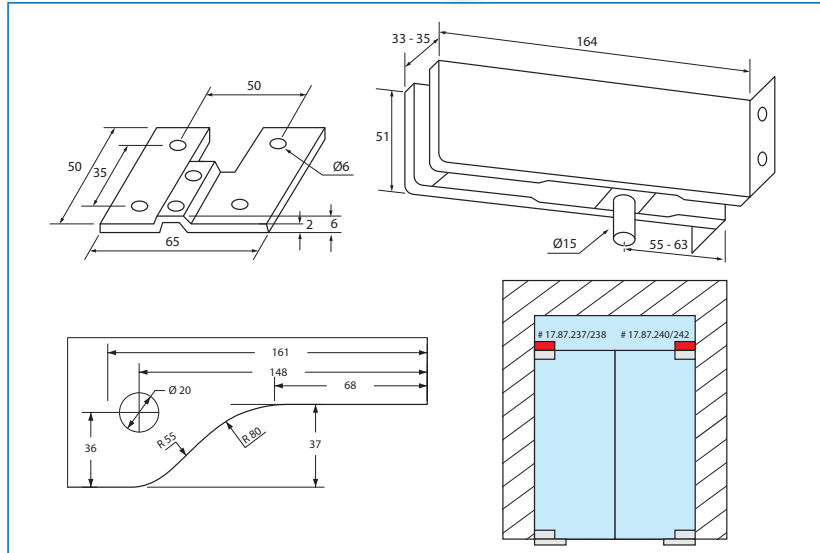
Size: 51 x 164 x 33 – 35 mm (H/L/W)

Glass thickness: 10-12 mm glass

Finish:

Polished # 17.87.237

Brushed # 17.87.238



WALL MOUNTING FITTING W/EXPANSION PLUG "ZIP"

Features:

Drilling required

Material:

Aluminum body & SS-304 cover

Size: 51 x 164 x 33 – 35 mm (H/L/W)

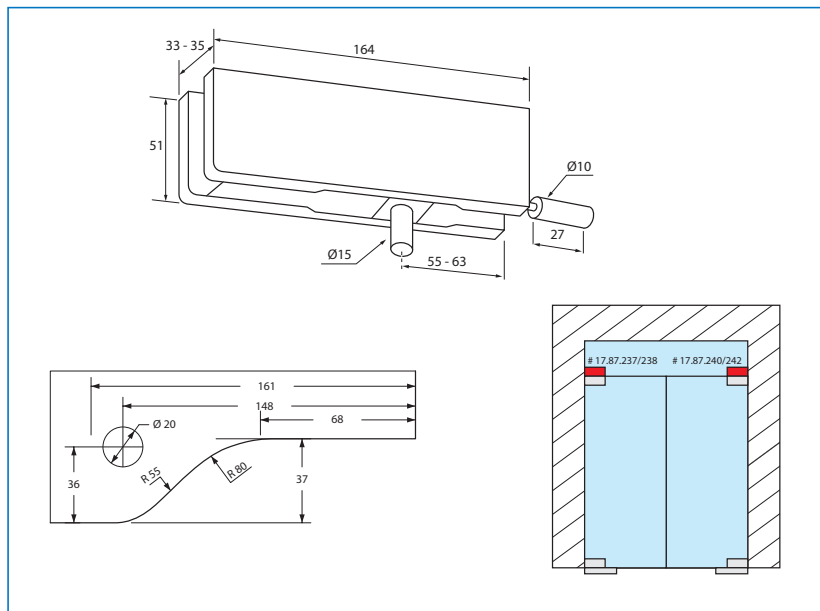
Glass thickness: 10-12 mm glass

Finish:

Polished # 17.87.240

Brushed # 17.87.241

Alu look # 17.87.242



CORNER CONNECTOR "ZIP"

- high quality furniture fittings

Features:

Drilling required

Material:

Aluminum body & SS-304 cover

Size:

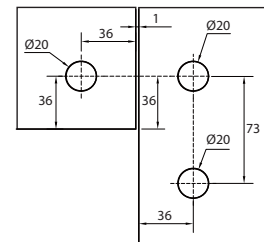
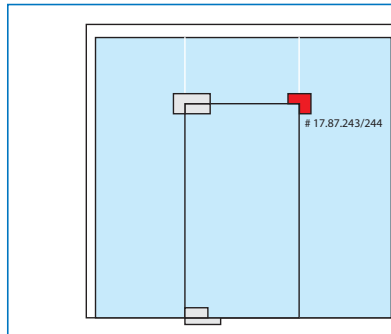
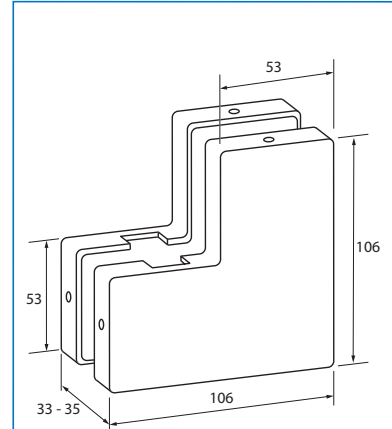
53 x 106 x 33 – 35 mm x 53 x 106 mm
(H/L/W/H/L)

Glass thickness: 10-12 mm glass

Finish:

Polished # 17.87.243

Brushed # 17.87.244



CENTRE LOCK "ZIP"

Features:

Cutting/drilling required

Material:

Aluminum body & SS-304 cover

Size: 51 x 164 x 33 – 35 mm (H/L/W)

Glass thickness: 10-12 mm glass

1 lock consists of:

Lock body & cylinder

4 nickel plated brass keys

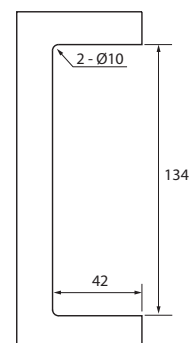
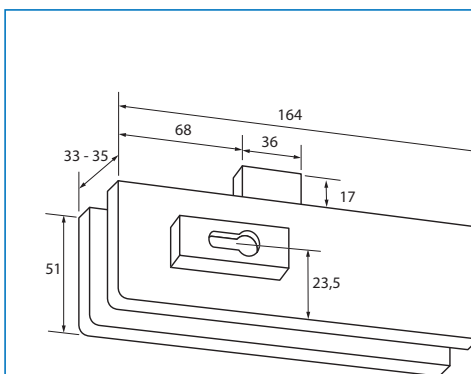
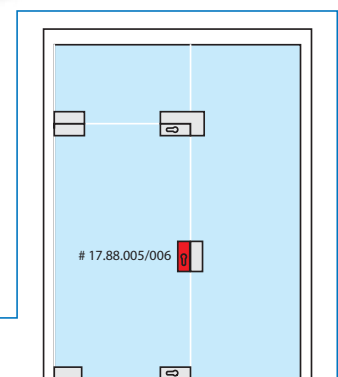
1 stainless steel striking plate 24 x 90 mm
(W/L)

2 stainless steel screws & plastic wall
plugs

Finish:

Polished # 17.88.005

Brushed # 17.88.006



CENTRE LOCK STRIKER BOX "ZIP" F/DOUBLE DOORS

Features:

Cutting/drilling required
To be used with centre lock
"Dobberman"

Material:

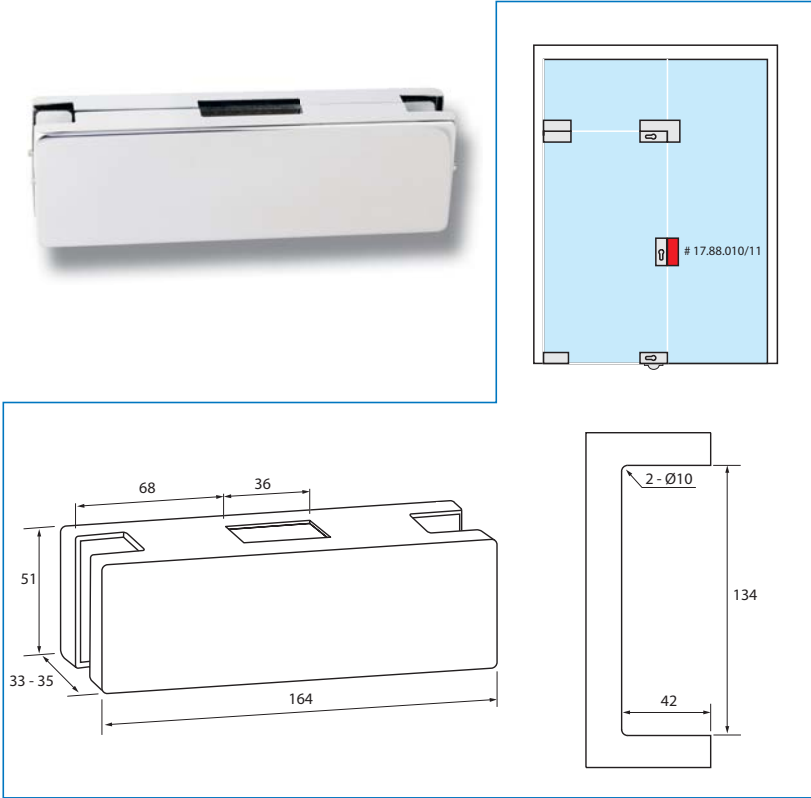
Aluminum body & SS-304 cover

Size: 51 x 164 x 33 – 35 mm (H/L/W)

Glass thickness: 10-12 mm glass

Finish:

Polished # 17.88.010
Brushed # 17.88.011



CORNER LOCK "ZIP"

Features:

Cutting/drilling required

Material:

Aluminum body & SS-304 cover

Size: 51 x 164 x 33 – 35 mm (H/L/W)

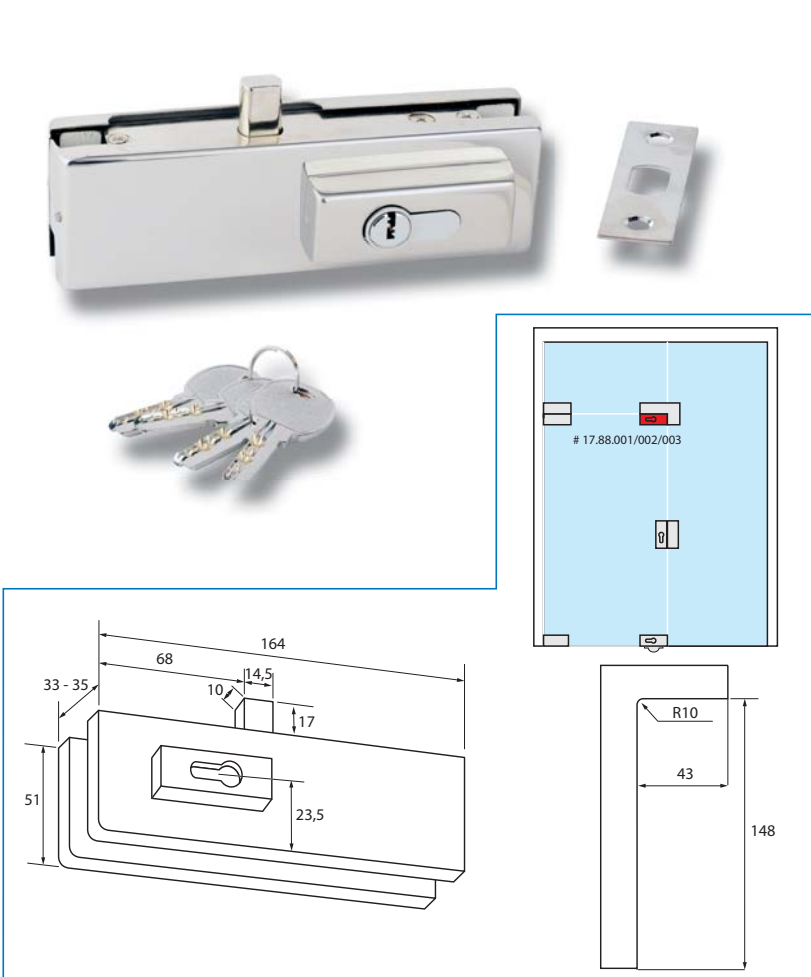
Glass thickness: 10-12 mm glass

1 lock consists of:

- Lock body & cylinder
- 4 nickel plated brass keys
- 1 stainless steel striking plate
24 x 90 mm (W/L)
- 2 stainless steel screws & plastic wall
plugs

Finish:

Polished # 17.88.001
Brushed # 17.88.002
Alu finish # 17.88.003



OVERPANEL CORNER LOCK STRIKER "ZIP" F/DOUBLE DOORS

- high quality furniture fittings



Features:

Drilling required
To be used with centre lock "Bandog"

Material:

Aluminum body & SS-304 cover

Size:

51 x 218 x 33 – 35 mm x 51 x 106 mm
(H/L/W/H/L)

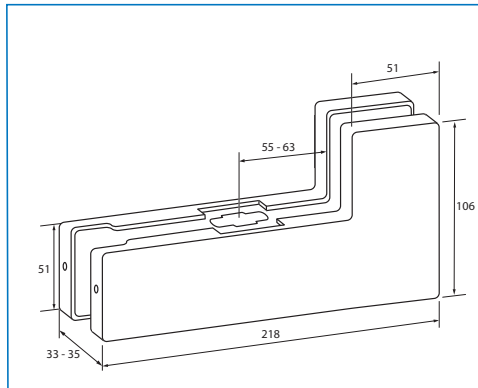
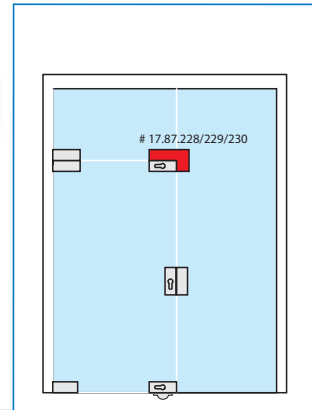
Glass thickness: 10-12 mm glass

Finish:

Polished # 17.87.228

Brushed # 17.87.229

Alu look # 17.87.230



CORNER LOCK FLOOR STRIKER

Features:

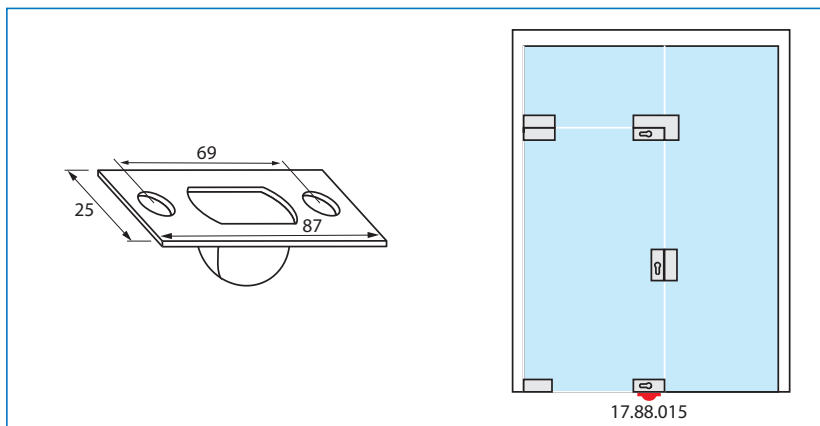
Floor striker to be used with lock
"Bandog"

Material: SS-304

Size: 87 x 25 x 20mm (L/W/H)

Finish:

Polished # 17.88.015



BOTTOM PATCH FITTING "LEX"

Features:

W/8 mm horizontal adjustment
Cutting & drilling required

Material:

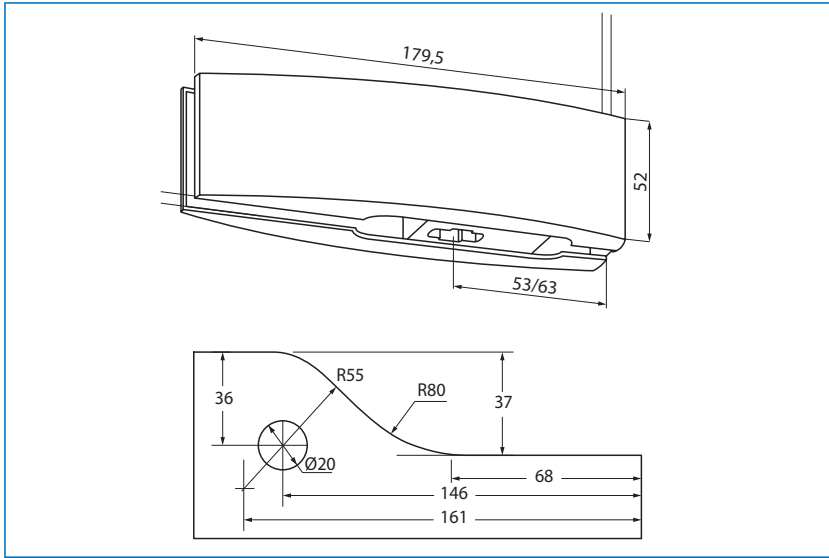
Aluminum body & SS-304 cover

Size: 52 x 179,5 x 45 mm (H/L/W)

Glass thickness: 10 - 12 mm glass

Finish:

Brushed # 17.87.321



TOP PATCH FITTING "LEX"

Features:

W/8 mm horizontal adjustment
Cutting & drilling required

Material:

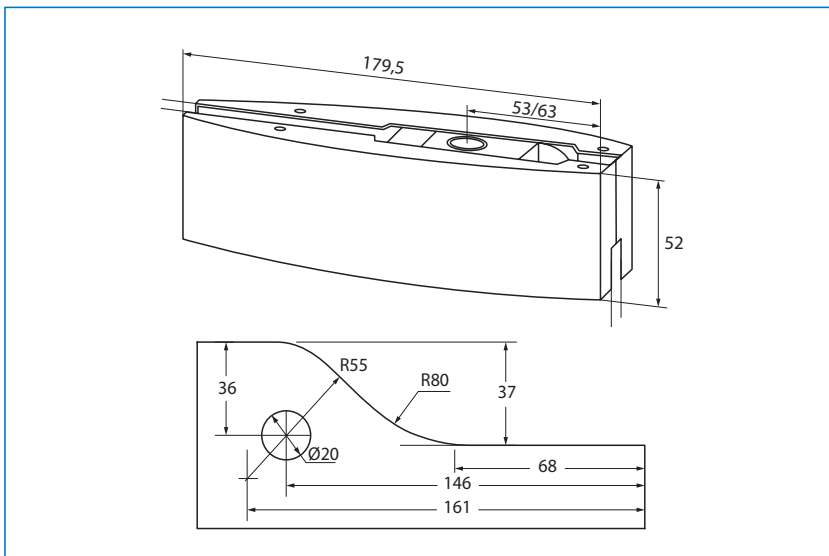
Aluminum body & SS-304 cover

Size: 52 x 179,5 x 45 mm (H/L/W)

Glass thickness: 10 - 12 mm glass

Finish:

Brushed # 17.87.323



OVERPANEL PATCH FITTING "LEX"

- high quality furniture fittings

Features:

W/8 mm horizontal adjustment
Cutting & drilling required

Material:

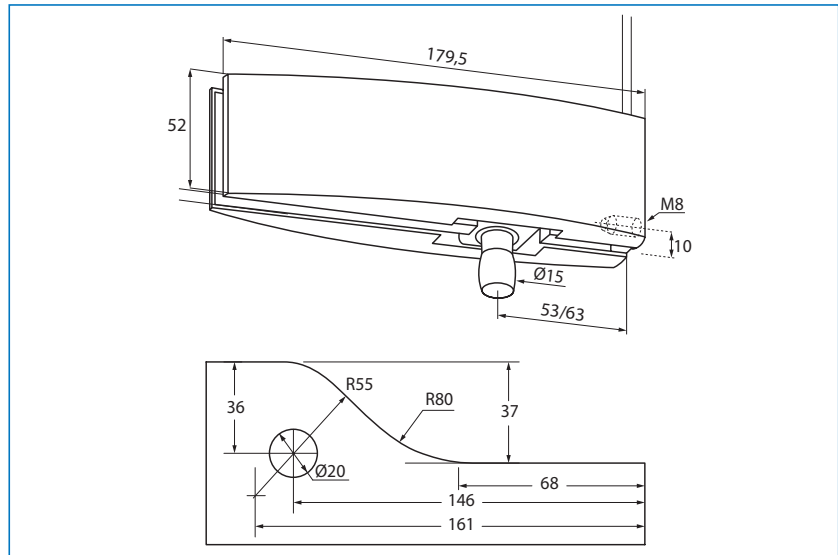
Aluminum body & SS-304 cover

Size: 52 x 179,5 x 45 mm (H/L/W)

Glass thickness: 10 - 12 mm glass

Finish:

Brushed # 17.87.325



OVERPANEL CORNER PATCH FITTING "LEX"

Features:

W/8 mm horizontal adjustment
Cutting & drilling required

Material:

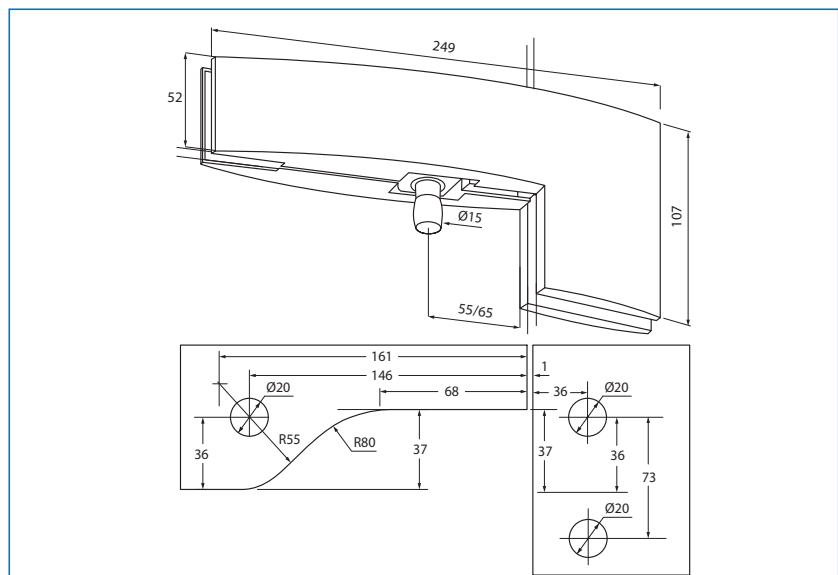
Aluminum body & SS-304 cover

Size: 52 x 249 x 45 mm x 107 X 52 mm
(H/L/W/H/L)

Glass thickness: 10-12 mm glass

Finish:

Brushed # 17.87.327



WALL MOUNTING FITTING "LEX"

Features:

W/8 mm horizontal adjustment
Cutting & drilling required

Material:

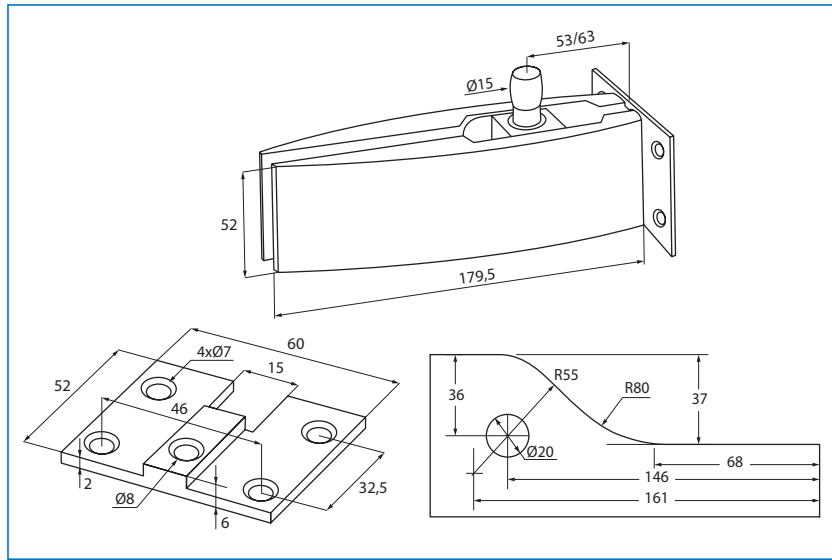
Aluminum body & SS-304 cover

Size: 52 x 179,5 x 45 mm (H/L/W)

Glass thickness: 10 - 12 mm glass

Finish:

Brushed # 17.87.338



CORNER CONNECTOR "LEX"

Features:

Cutting & drilling required

Material:

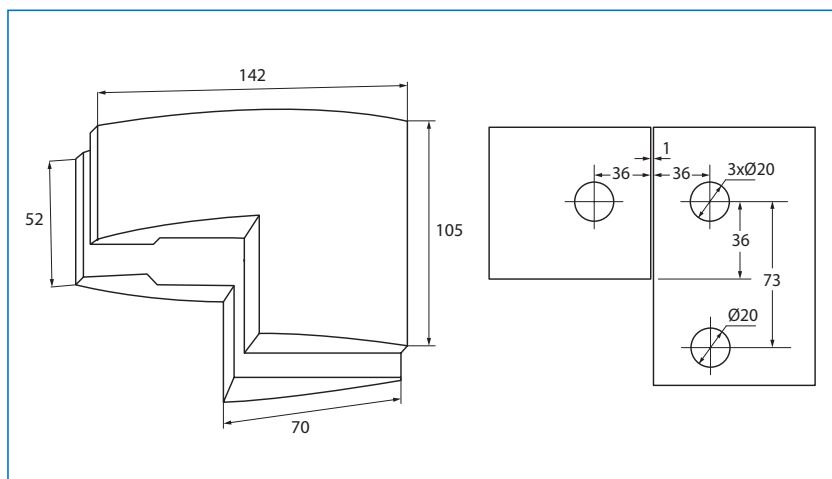
Aluminum body & SS-304 cover

Size: 52 x 142 x 35 mm x 105 x 70 mm
(H/L/W/H/L)

Glass thickness: 10 - 12 mm glass

Finish:

Brushed # 17.87.344



BOTTOM LOCK "LEX-B"

- high quality furniture fittings



Features:

Cutting & drilling required

Material:

Aluminum body & SS-304 cover

Size: 52 x 179,5 x 45 mm (H/L/W)

Glass thickness: 10 - 12 mm glass

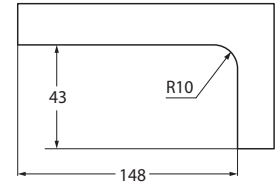
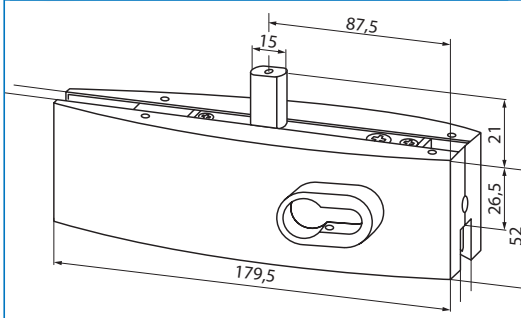
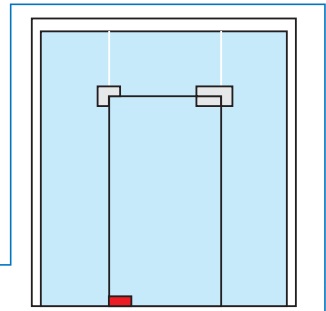
Finish:

Brushed # 17.88.302

Additional:

Brass Profile Cylinder
62 mm (26+10+26) – Yale key way

SS-Look # 14.60.037



CENTRE LOCK "LEX-C"

Features:

Cutting & drilling required

Material:

Aluminum body & SS-304 cover

Size: 52 x 179,5 x 45 mm (H/L/W)

Glass thickness: 10 - 12 mm glass

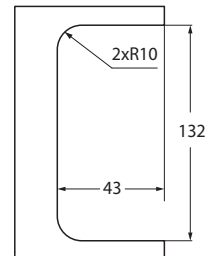
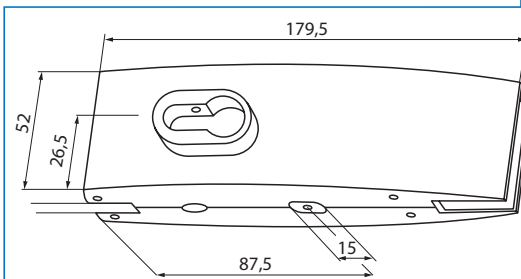
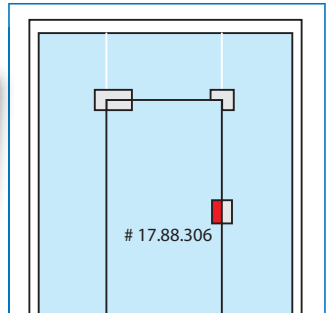
Finish:

Brushed # 17.88.306

Additional:

Brass Profile Cylinder
62 mm (26+10+26) – Yale key way

SS-Look # 14.60.037



PATCH LOCK STRIKER FOR LOCK "LEX"

Features:

Cutting & drilling required

Material:

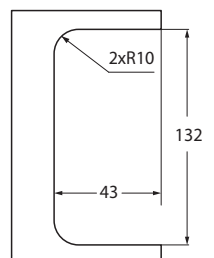
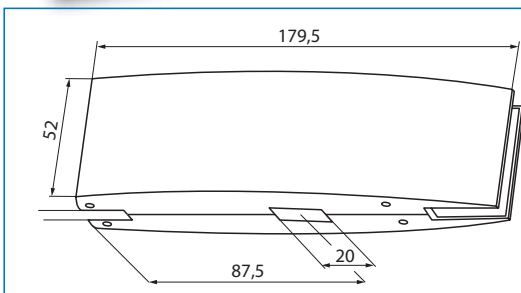
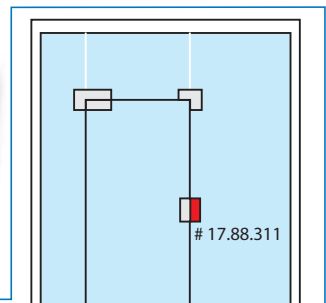
Aluminum body & SS-304 cover

Size: 52 x 179,5 x 45 mm (H/L/W)

Glass thickness: 10 - 12 mm glass

Finish:

Brushed # 17.88.311



GLASS DOOR LOCK "LEX"

Description:

Glass door lock for 10 - 18 mm glass.
Zamak lock body.
With or without cylinder hole.
With lever handle

Material:

Zamak

Finish:

SS-Look

Item No:

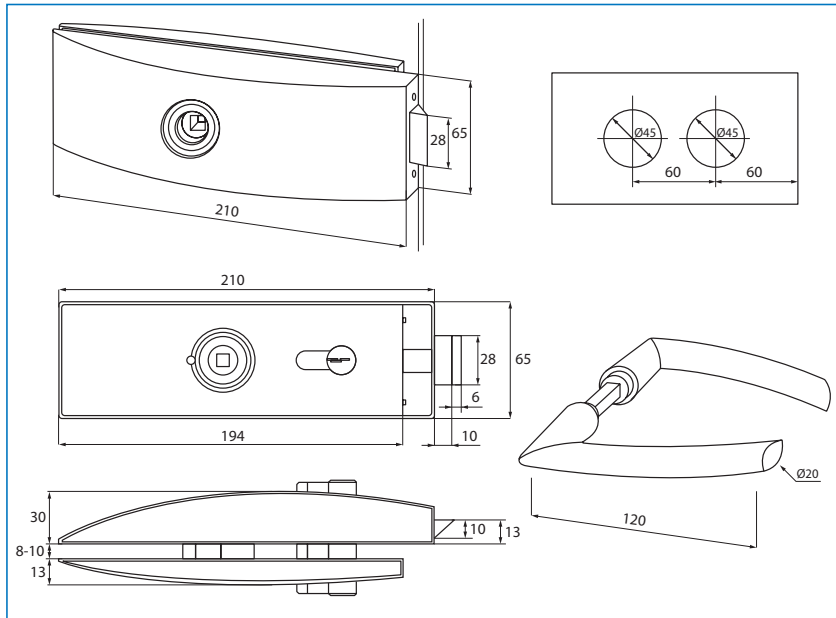
W/Cylinder hole # 14.60.670
Without cylinder hole # 14.60.671

Additional:

Brass Profile Cylinder
62 mm (26+10+26) – Yale key way

SS-Look

14.60.037



STRIKER FOR GLASS DOOR LOCK "LEX"

Description:

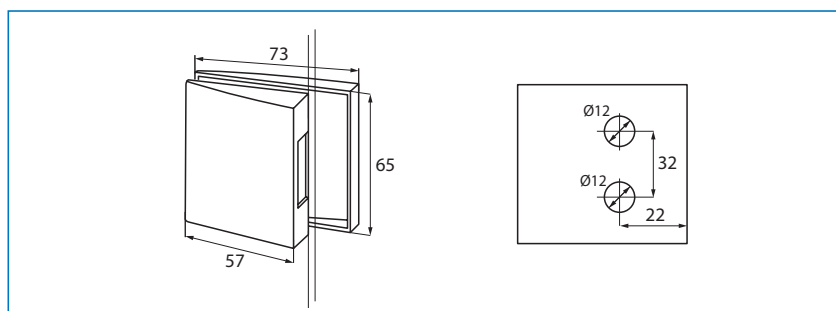
Striker, zamak, for double glass doors,
10 - 18 mm glass.

Finish:

SS-Look

Item No:

14.60.672



GLASS DOOR LOCK "FRIGG" - NO DRILLING/CUTTING

- high quality furniture fittings

Description:

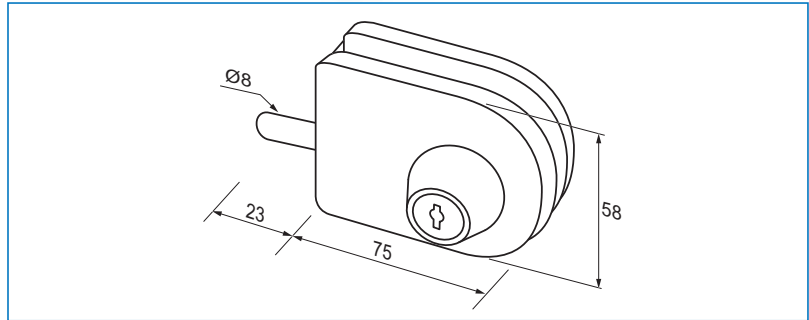
Glass door lock for 8-12 mm glass.
No cutting or drilling needed, zamak lock body, with striker, cylinder & 3 nickel plated brass keys.

Finish:

SS-Look

Item No:

14.09.801



GLASS DOOR LOCK "TYR"

Description:

Glass door lock for 10-18 mm glass,
zamak lock body, with small striker,
without cylinder & keys.

Finish:

SS-Look

Item No:

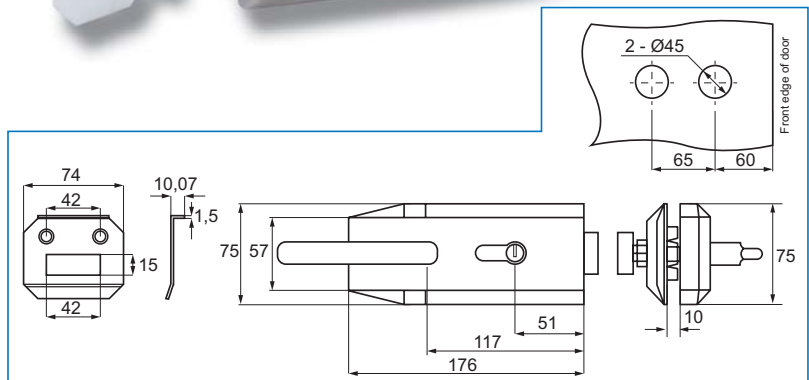
Glass Door Lock "TYR" Left # 14.60.637
Glass Door Lock "TYR" Right # 14.60.638

Additional:

Brass Profile Cylinder
62 mm (26+10+26) - Yale key way

SS-look

14.60.037



STRIKER FOR "TYR" GLASS DOOR LOCK

Description:

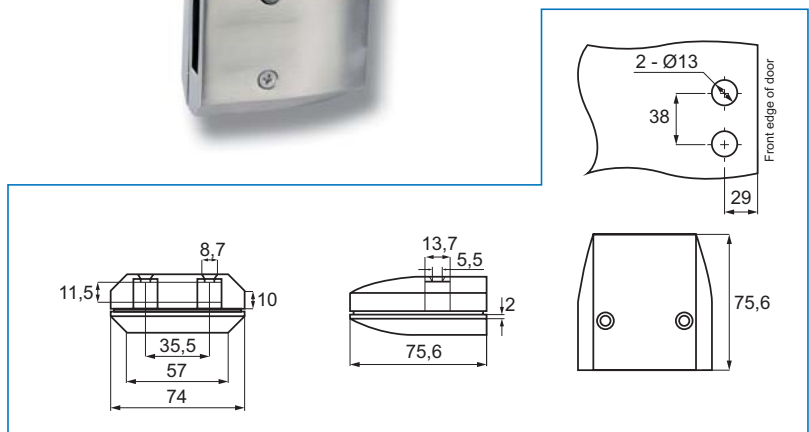
Striker, zamak, for double glass doors,
10-18 mm glass.

Finish:

SS-Look

Item No:

14.60.660



GLASS DOOR LOCK "FREJA"

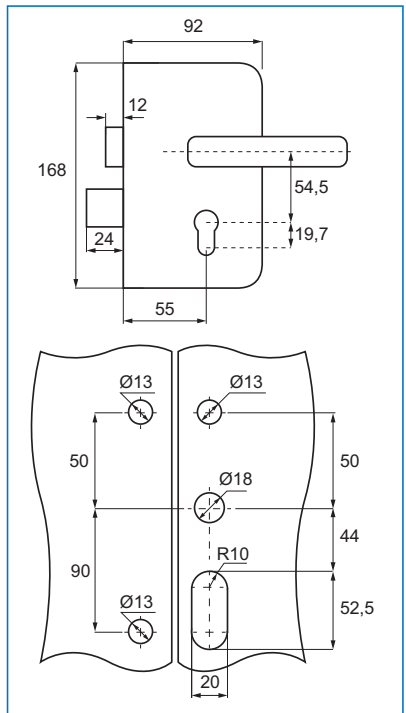
Description:
Glass door lock for 10-18 mm glass, zamak lock body, with small striker, without cylinder & keys.

Finish:
SS-Look

Item No:
Glass Door Lock "FREJA" Left # 14.60.627
Glass Door Lock "FREJA" Right # 14.60.628

Additional:
Brass Profile Cylinder 62mm (26+10+26) - Yale key way

SS-lock # 14.60.037

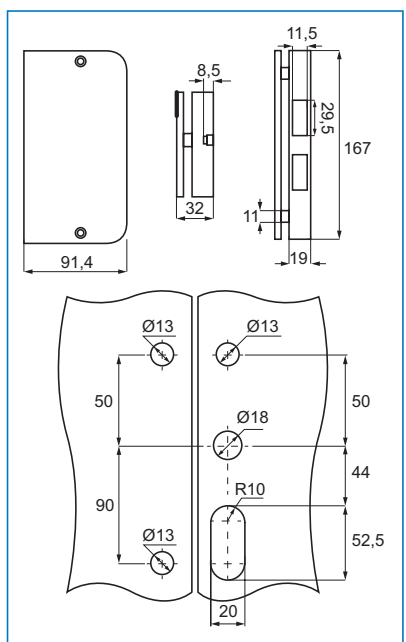


STRIKER FOR "FREJA" GLASS DOOR LOCK

Description:
Striker, zamak, for double glass doors, 10-18 mm glass.

Finish:
SS-Look

Item No:
14.60.662

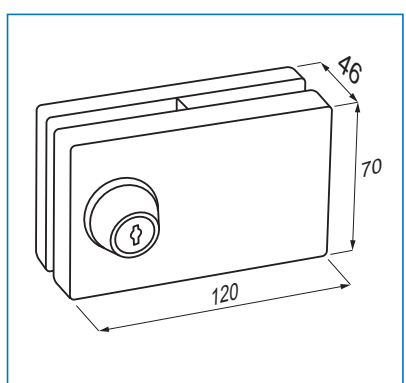


GLASS DOOR LOCK "SIMA" - NO DRILLING/CUTTING F/DOUBLE DOORS

Description:
Glass door lock for 10mm glass. No cutting or drilling needed, zamak lock body, with cylinder & 3 nickel plated brass keys. Removal of lock during business hours provides a visually aesthetic frameless appearance.

Finish:
SS-Look

Item No:
14.09.805



SOFT CLOSE GLASS DOOR HINGE "KLAP" 8 – 12 MM - W/CENTRE BACK PLATE

- high quality furniture fittings



Application:

Suitable for glass doors/shower doors
Drilling/cutting required
W/Damping function w/speed adjustment
Self centering
Self closing at 85°
Hold-Open at 90°

Opening: 95°

Max glass width: 800 mm
Max glass height: 2400 mm
Load Capacity: 45 KG
Glass thickness: 8 - 12 mm
Tested according to EN1154: 130.000 cycles

Material:

SS-304 Brushed or polished

1 pair consists of

- 1 x damping hinge 90 x 63 mm (bottom hinge)
- 1 x mounting plate 90 x 50 mm
- 1 x closing hinge 90 x 63 mm (top hinge)
- 1 x mounting plate 90 x 50 mm
- 4 x fibre cushions (non asbestos) 2 mm thickness
- 2 x white PE gaskets 1,5 mm thickness
- 2 x white PE gaskets 2 mm thickness
- 8 x wall plugs
- 8 x wall screws
- 8 x cover caps
- 1 x L-shaped 4 mm hex key

Item No.

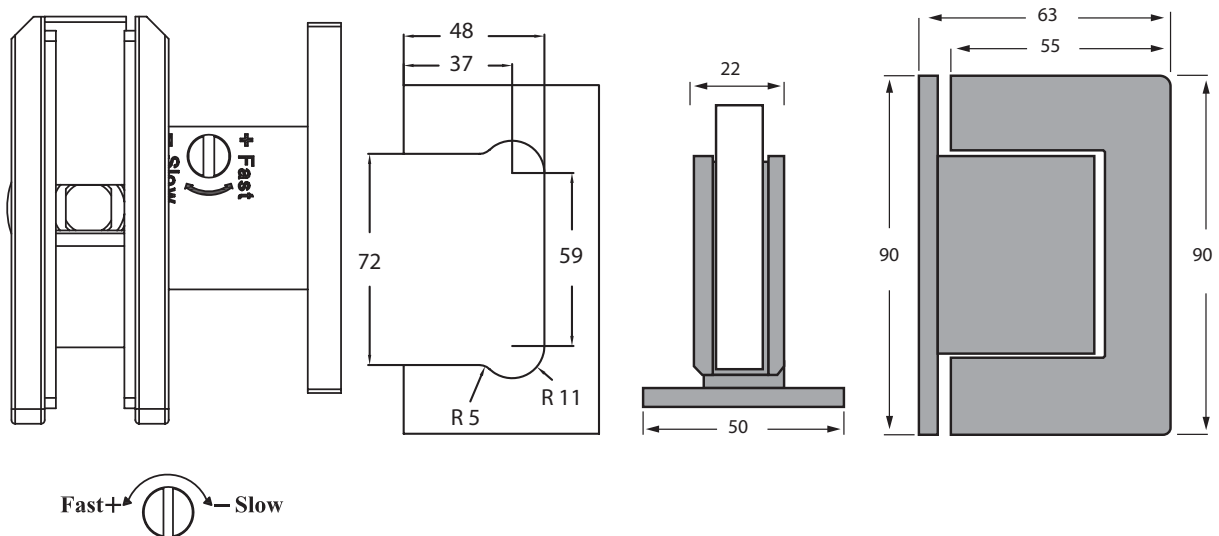
Brushed	# 15.24.240-0
Polished	# 15.24.240-9



Closing hinge
(Top hinge)



Damping hinge
(Bottom hinge)



Damping speed adjustment

SOFT CLOSE GLASS DOOR HINGE "KLAP" 10 - 14 MM - W/CENTRE BACK PLATE

Application
 Suitable for glass doors/shower doors
 Drilling/cutting required
 W/Damping function w/speed adjustment
 Self centering
 Self closing at 85°
 Hold-Open at 90°

Opening: 95°
Max glass width: 900 mm
Max glass height: 2400 mm
Load Capacity: 65 KG
 Glass thickness: 10 - 14 mm
Tested according to EN1154: 130.000 cycles

Material:
 SS-304 Brushed or polished

1 pair consists of
 1 x damping hinge 112 x 85 mm (bottom hinge)
 1 x mounting plate 112 x 60 mm
 1 x closing hinge 112 x 85 mm (top hinge)
 1 x mounting plate 112 x 60 mm
 4 x fibre cushions (non asbestos) 2 mm thickness
 2 x white PE gaskets 1,5 mm thickness
 2 x white PE gaskets 2 mm thickness
 8 x wall plugs
 8 x wall screws
 8 x cover caps
 1 x L-shaped 4 mm hex key

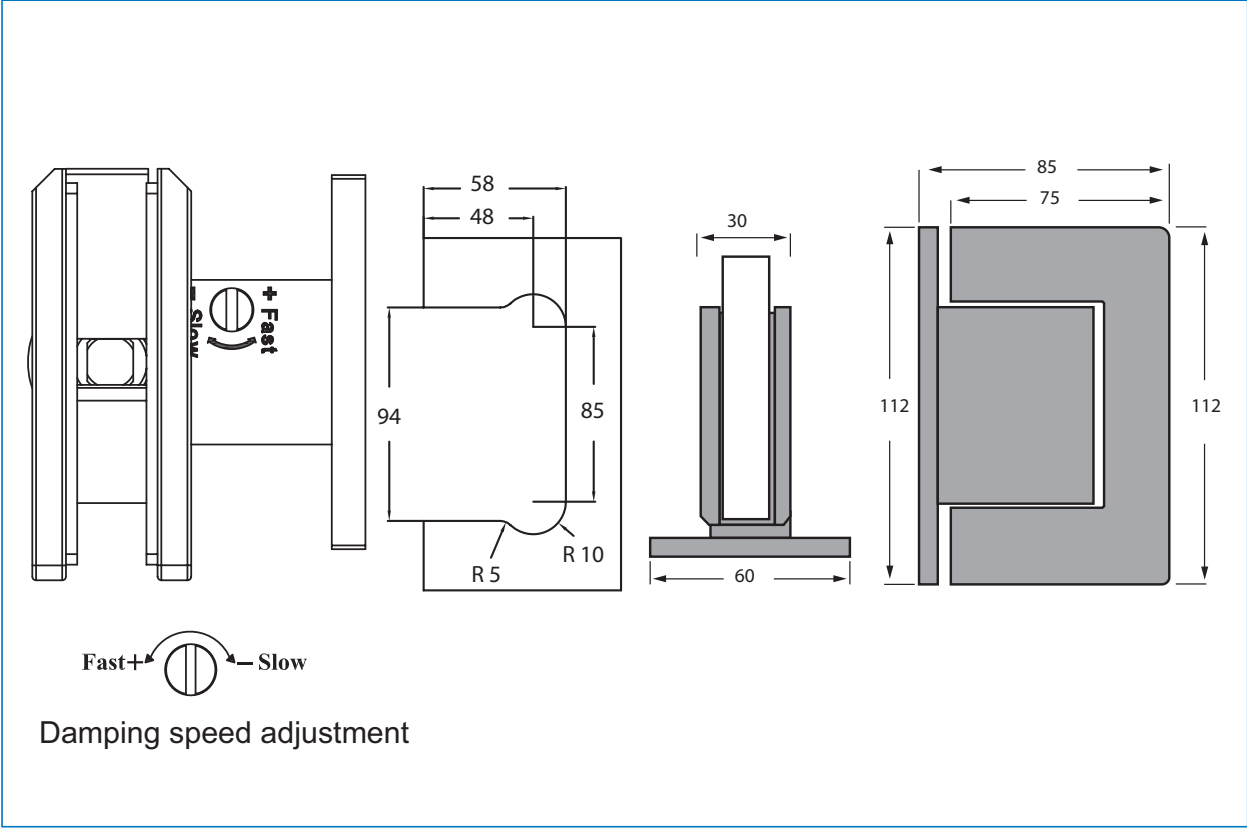
Item No.
 Brushed # 15.24.245-0
 Polished # 15.24.245-9



Closing hinge
(Top hinge)



Damping hinge
(Bottom hinge)



SOFT CLOSE GLASS DOOR HINGE "KLAP"

8 - 12 MM - GLASS TO GLASS – 180°

- high quality furniture fittings



Application

Suitable for glass doors/shower doors
 Drilling/cutting required
 W/Damping function w/speed adjustment
 Self centering
 Self closing at 85°
 Hold-Open at 90°

Opening: 95°

Max glass width: 800 mm

Max glass height: 2400 mm

Load Capacity: 45 KG

Glass thickness: 8 - 12 mm

Tested according to EN1154: 130.000 cycles

Material:

SS-304 Brushed or polished

1 pair consists of

- 1 x damping hinge 90 x 55 mm (bottom hinge)
- 1 x glass wall fixing plate 90 x 55 mm
- 1 x closing hinge 90 x 55 mm (top hinge)
- 1 x glass wall fixing plate 90 x 55 mm
- 4 x fibre cushions (non asbestos) 2 mm thickness
- 2 x white PE gaskets 1,5 mm thickness
- 2 x white PE gaskets 2 mm thickness
- 8 x cover caps
- 1 x L-shaped 4 mm hex key

Item No.

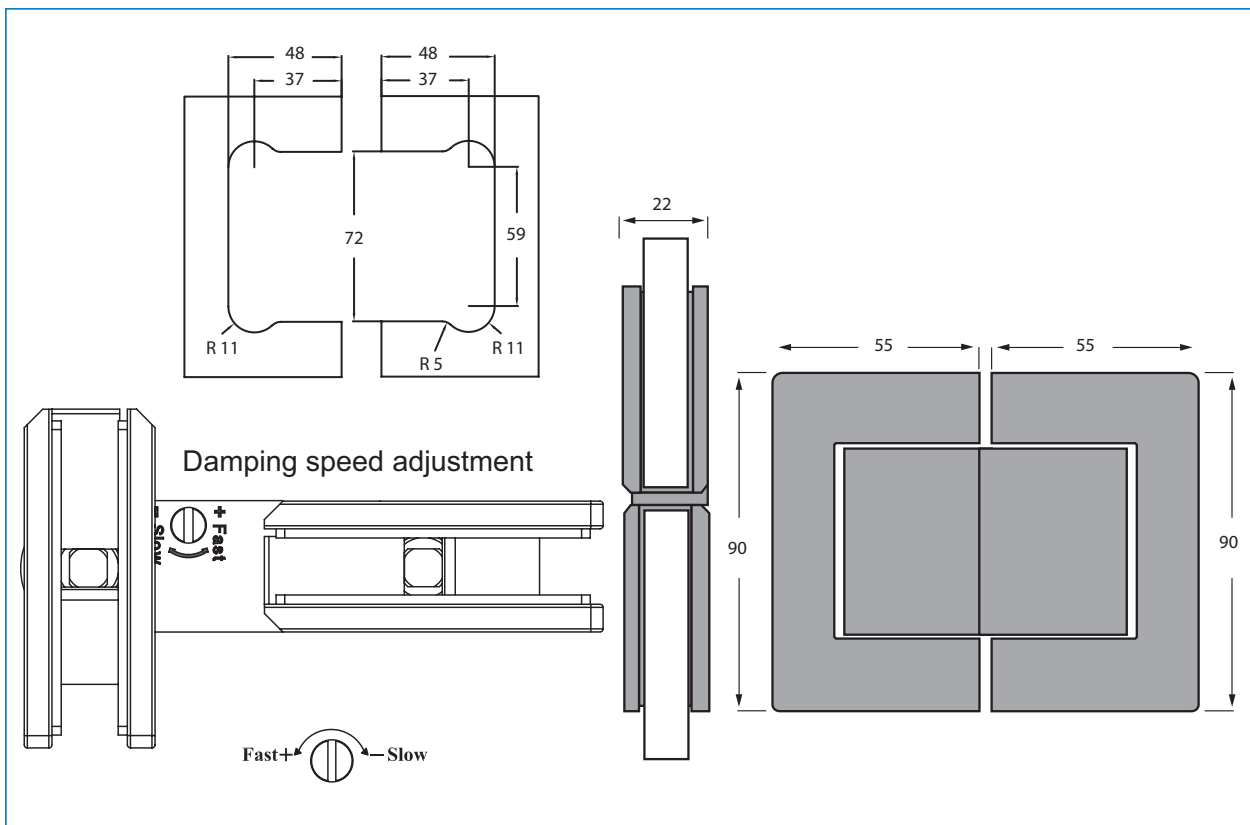
Brushed	# 15.24.243-0
Polished	# 15.24.243-9



Closing hinge
(Top hinge)



Damping hinge
(Bottom hinge)



SOFT CLOSE GLASS DOOR HINGE "KLAP" 10 - 14 MM - GLASS TO GLASS - 180°

Application

Suitable for glass doors/shower doors
Drilling/cutting required
W/Damping function w/speed adjustment
Self centering
Self closing at 85°
Hold-Open at 90°

Opening: 95°

Max glass width: 900 mm

Max glass height: 2400 mm

Load Capacity: 65 kg

Glass thickness: 10 - 14 mm

Tested according to EN1154: 130.000 cycles

Material:

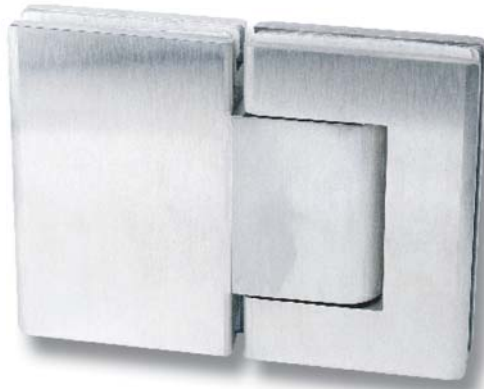
SS-304 Brushed or polished

1 pair consists of

- 1 x damping hinge 112 x 75 mm (bottom hinge)
- 1 x glass wall fixing plate 112 x 75 mm
- 1 x closing hinge 112 x 75 mm (top hinge)
- 1 x glass wall fixing plate 112 x 75 mm
- 4 x fibre cushions (non asbestos) 2 mm thickness
- 2 x white PE gaskets 1,5 mm thickness
- 2 x white PE gaskets 2 mm thickness
- 8 x cover caps
- 1 x L-shaped 4 mm hex key

Item No.

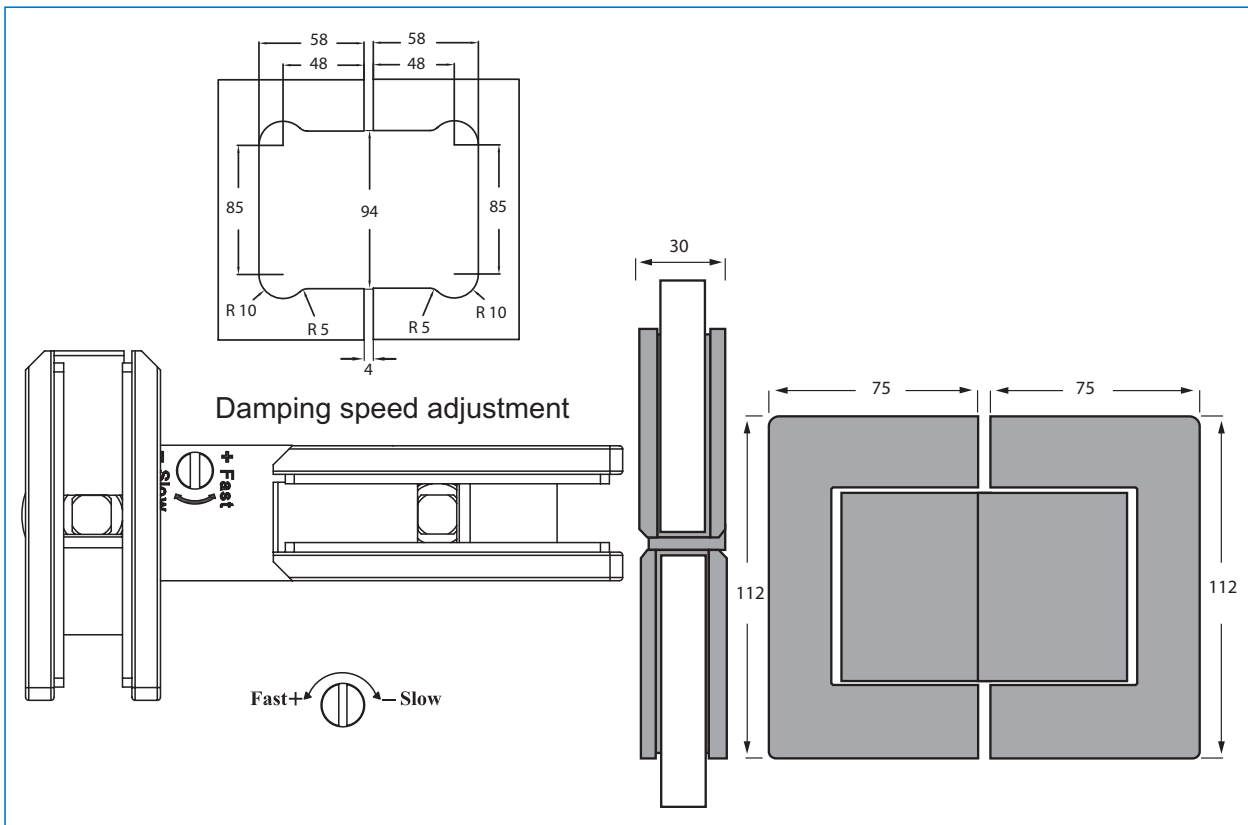
Brushed # 15.24.248-0
Polished # 15.24.248-9



Closing hinge
(Top hinge)



Damping hinge
(Bottom hinge)





- high quality furniture fittings

Item No.: 99.00.020

01.03.2014

SISO A/S

Mileparken 11 Phone: (+45) 45 830 900
DK - 2740 Skovlunde (Copenhagen) Fax: (+45) 45 830 444
Denmark E-mail: siso@siso.dk Web: www.siso.dk