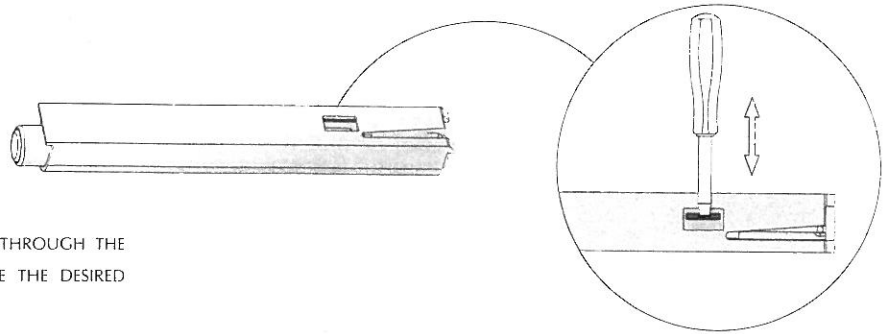
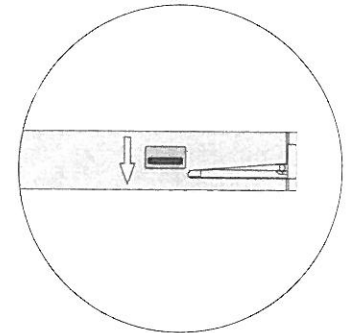
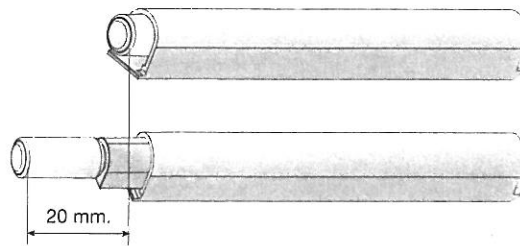


■ EXTENSION LENGTH CHOICE

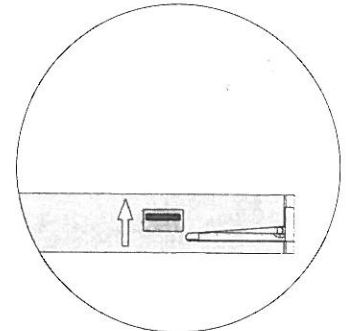
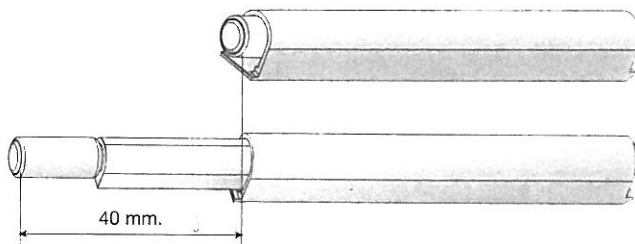


WITH THE FITTING CLOSED, PRESS THE TAB THROUGH THE WINDOW WITH A SCREWDRIVER TO CHOOSE THE DESIRED LENGTH OF EXTENSION.

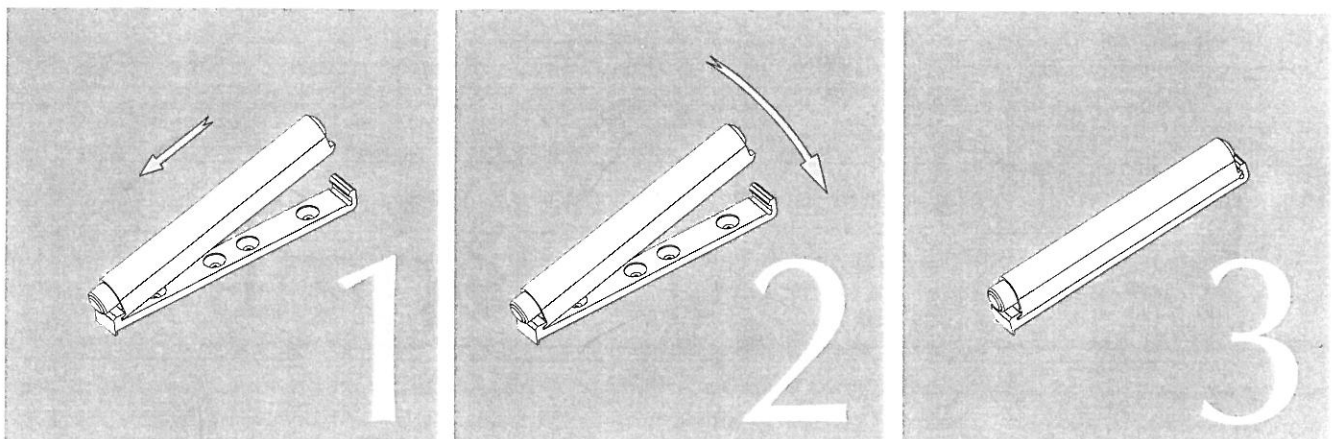
*20 mm. extension*



*40 mm. extension*



MOUNTING PLATE FITTING



CLIP THE BODY TO THE FRONT OF THE BASE PLATE.

PRESS THE BODY ONTO THE BACK OF THE BASE PLATE UNTIL FIXED.